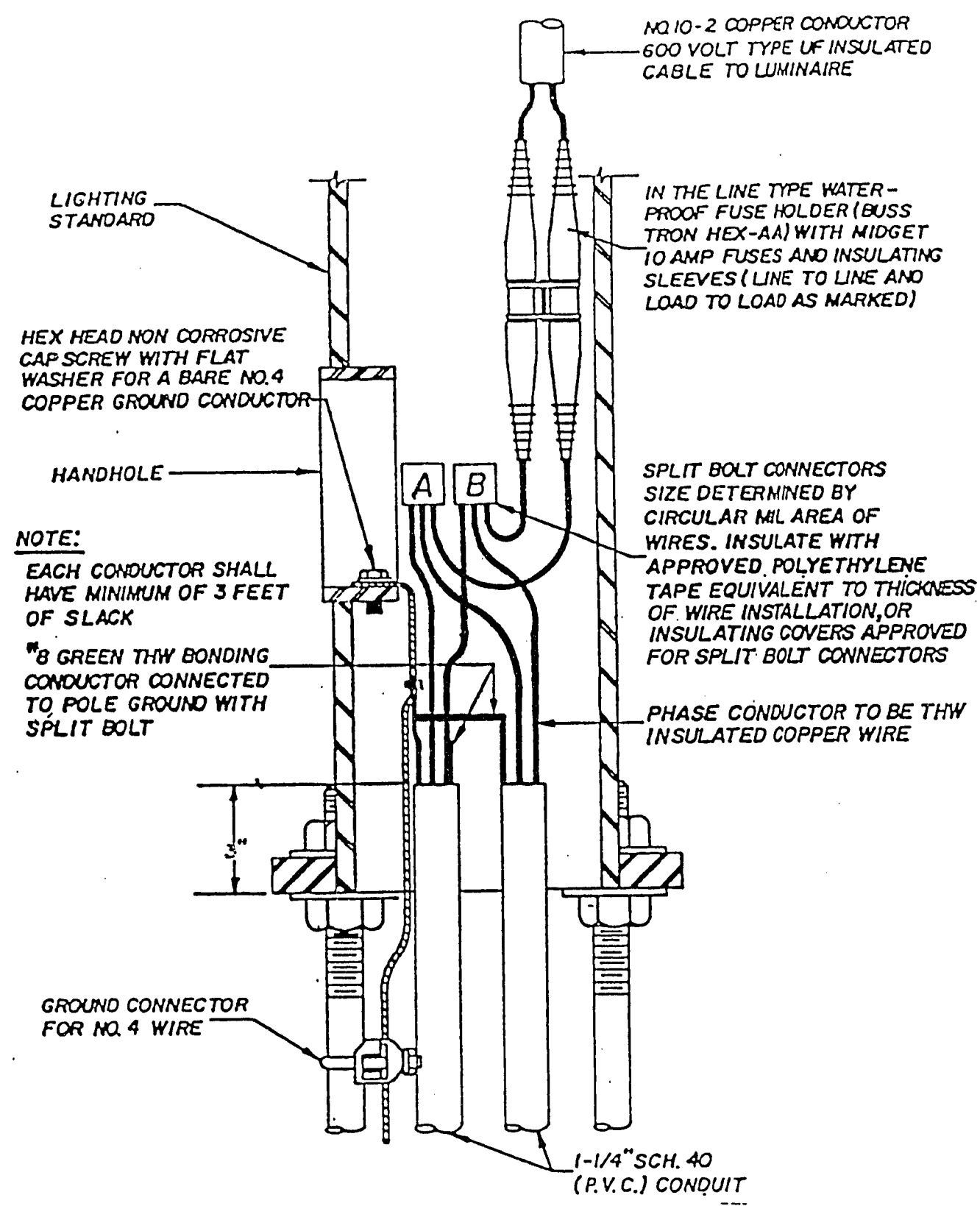
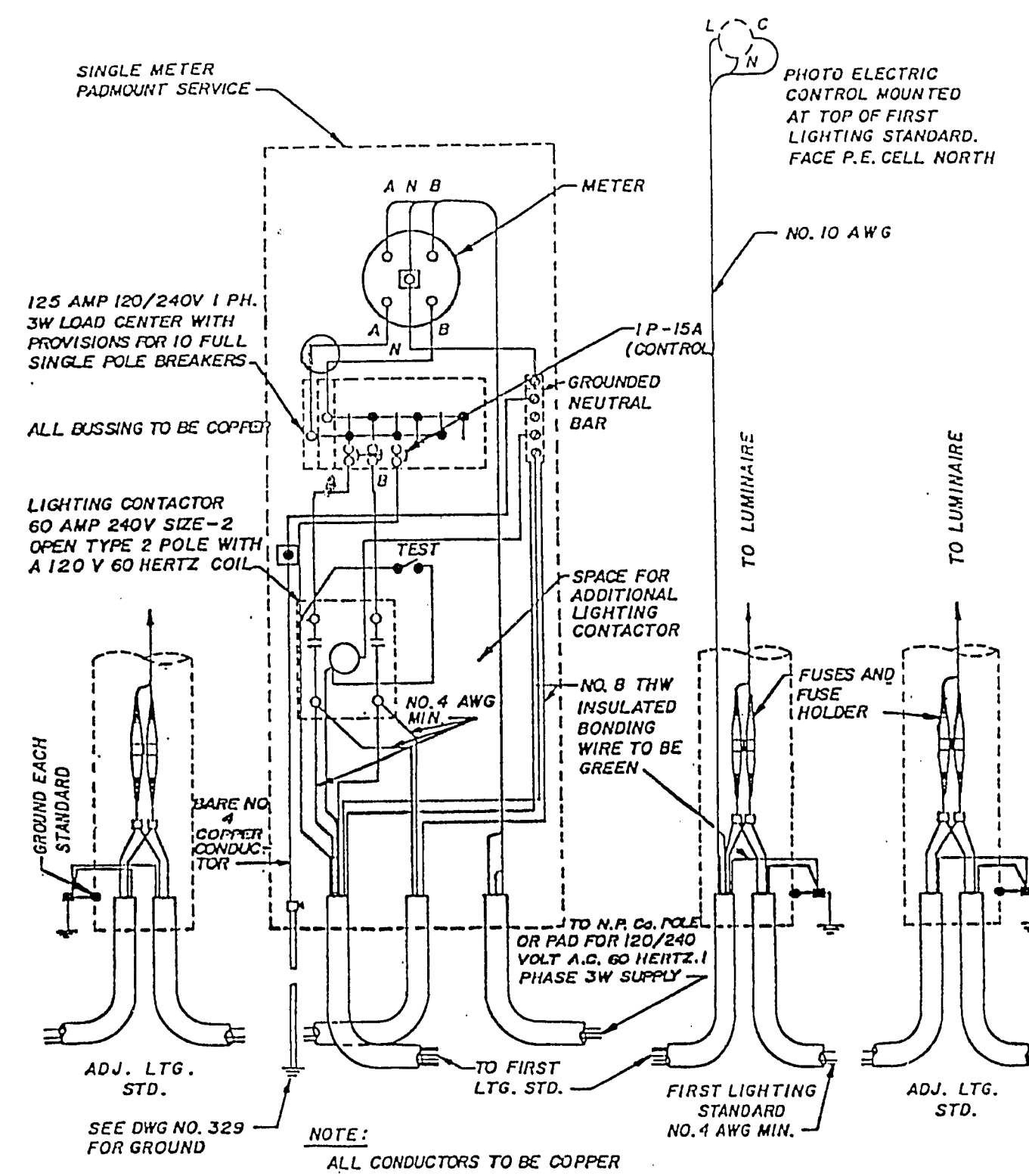


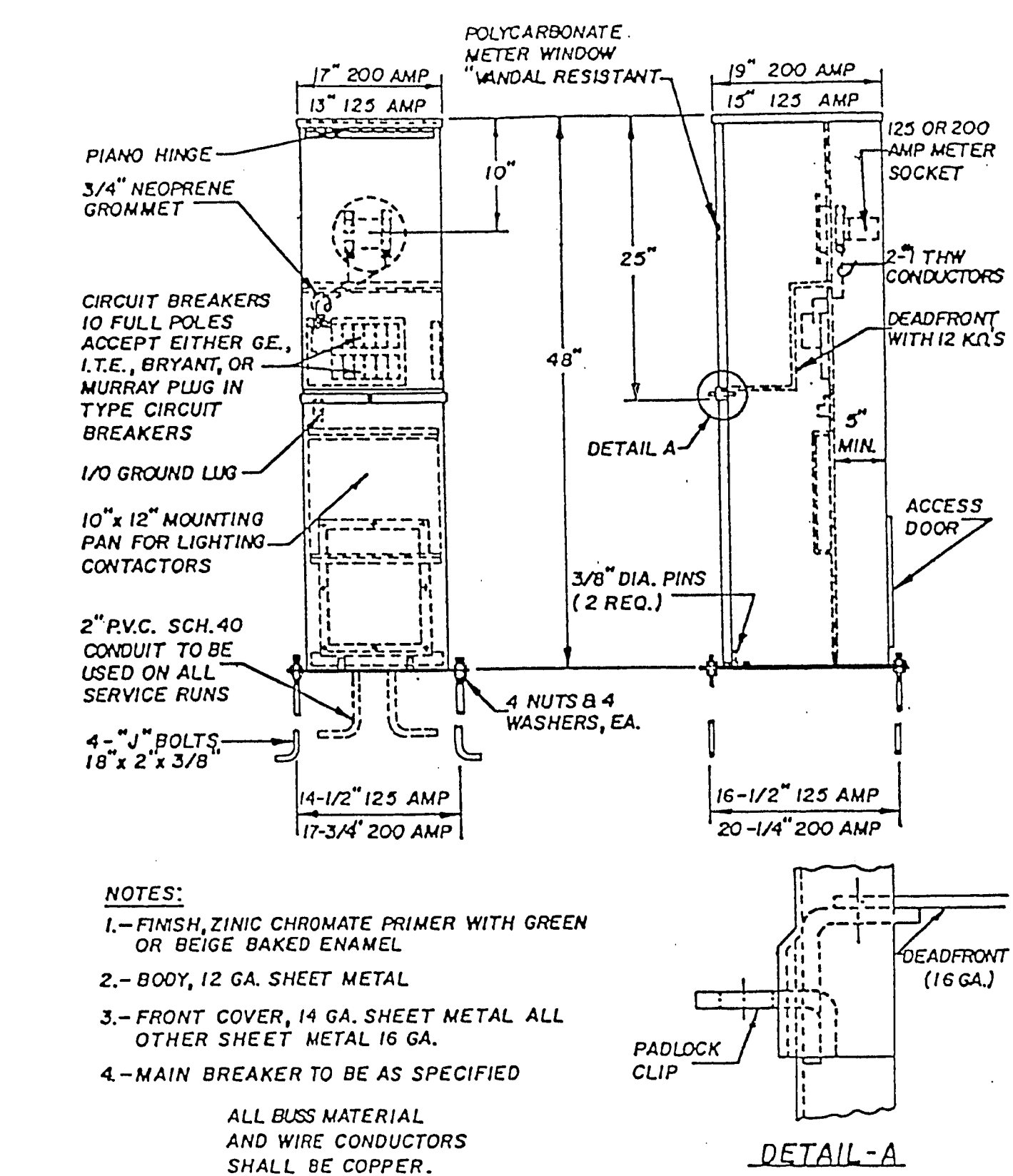
A STREET LIGHTING STANDARD WITH 2" PIPEARM



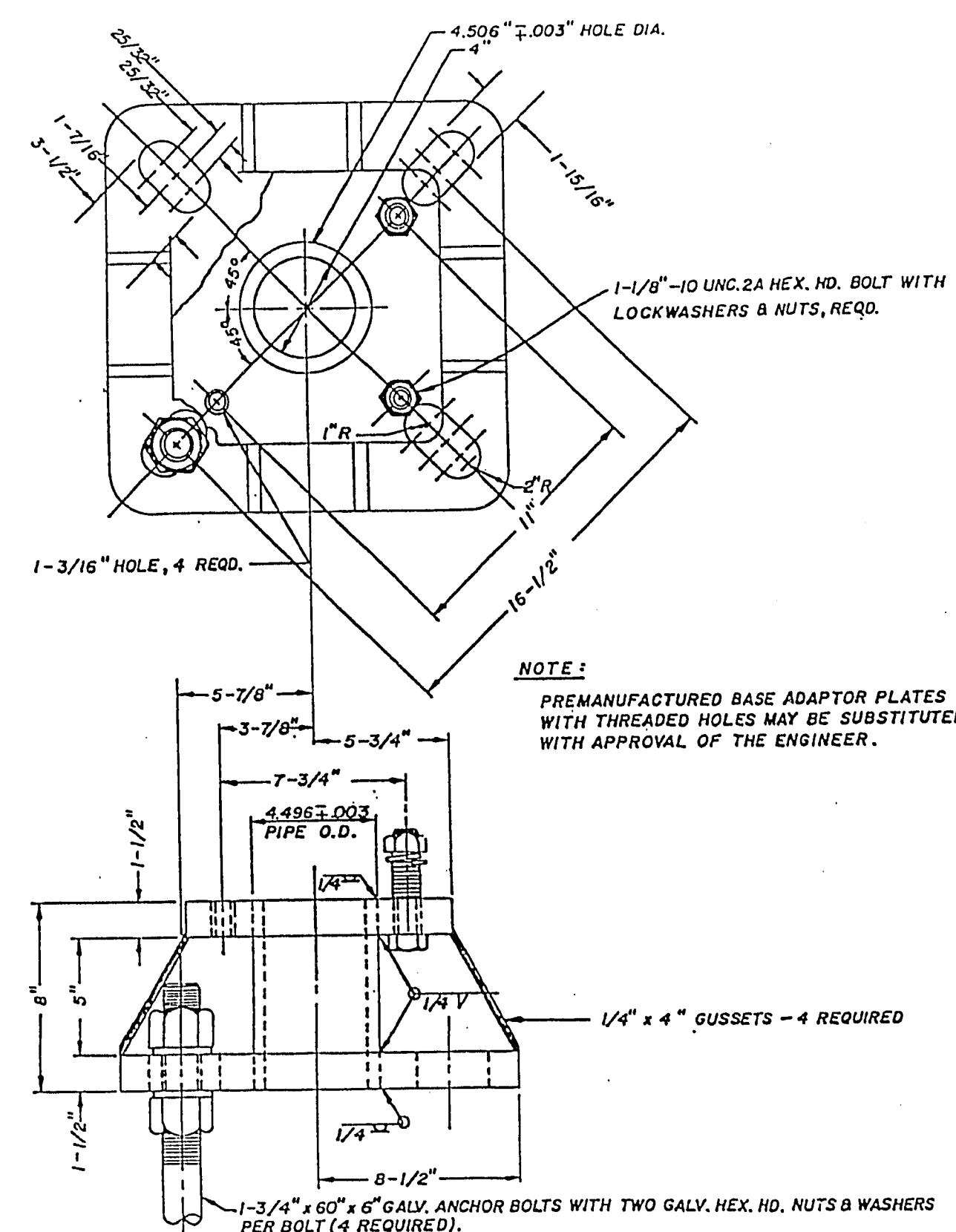
B LIGHTING STANDARD WIRING DIAGRAM, 240 VOLT, 3 WIRE UNDERGROUND SYSTEM



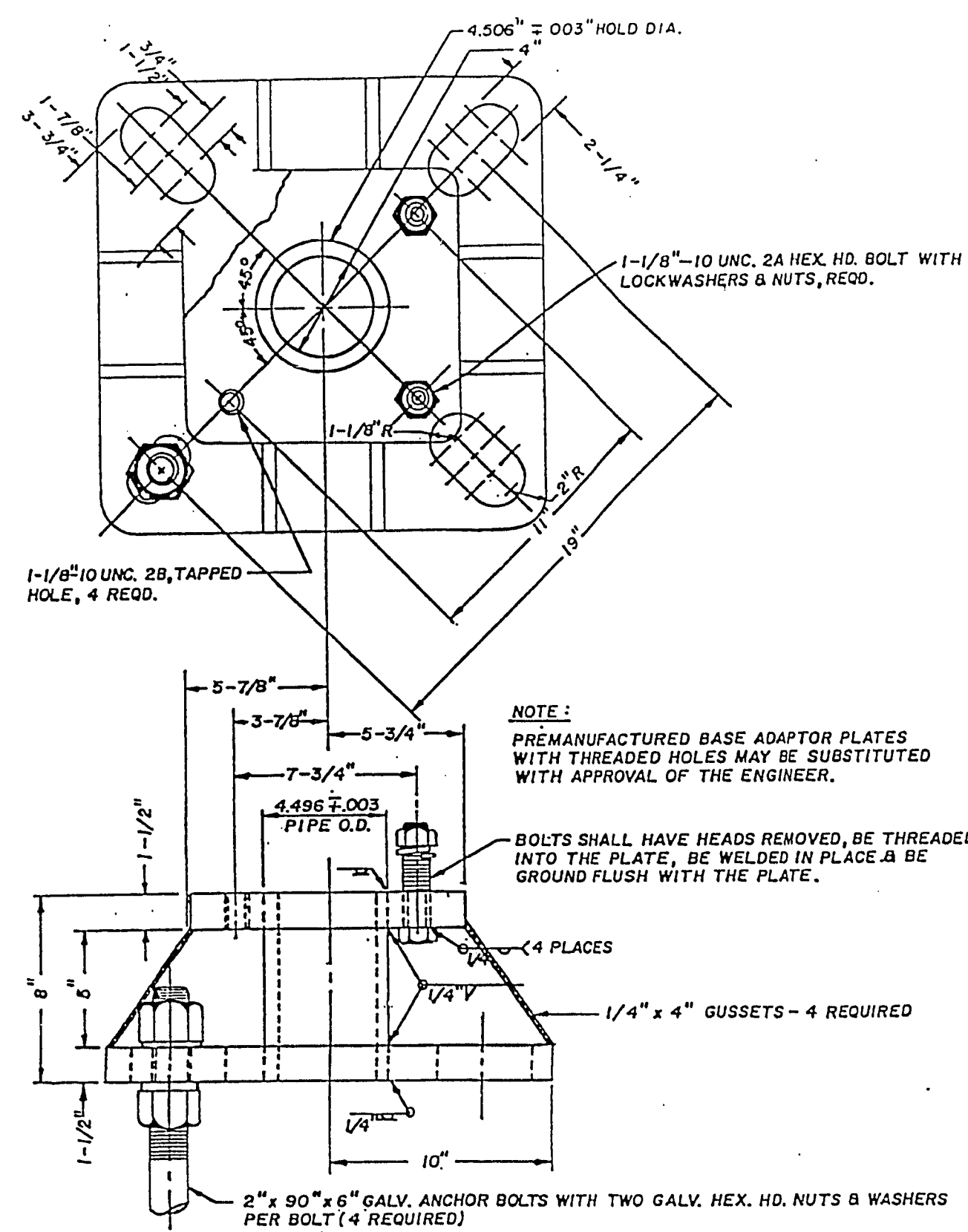
C 240 VOLT 2 WIRE WIRING DIAGRAM FOR PADMOUNT SERVICE POINT



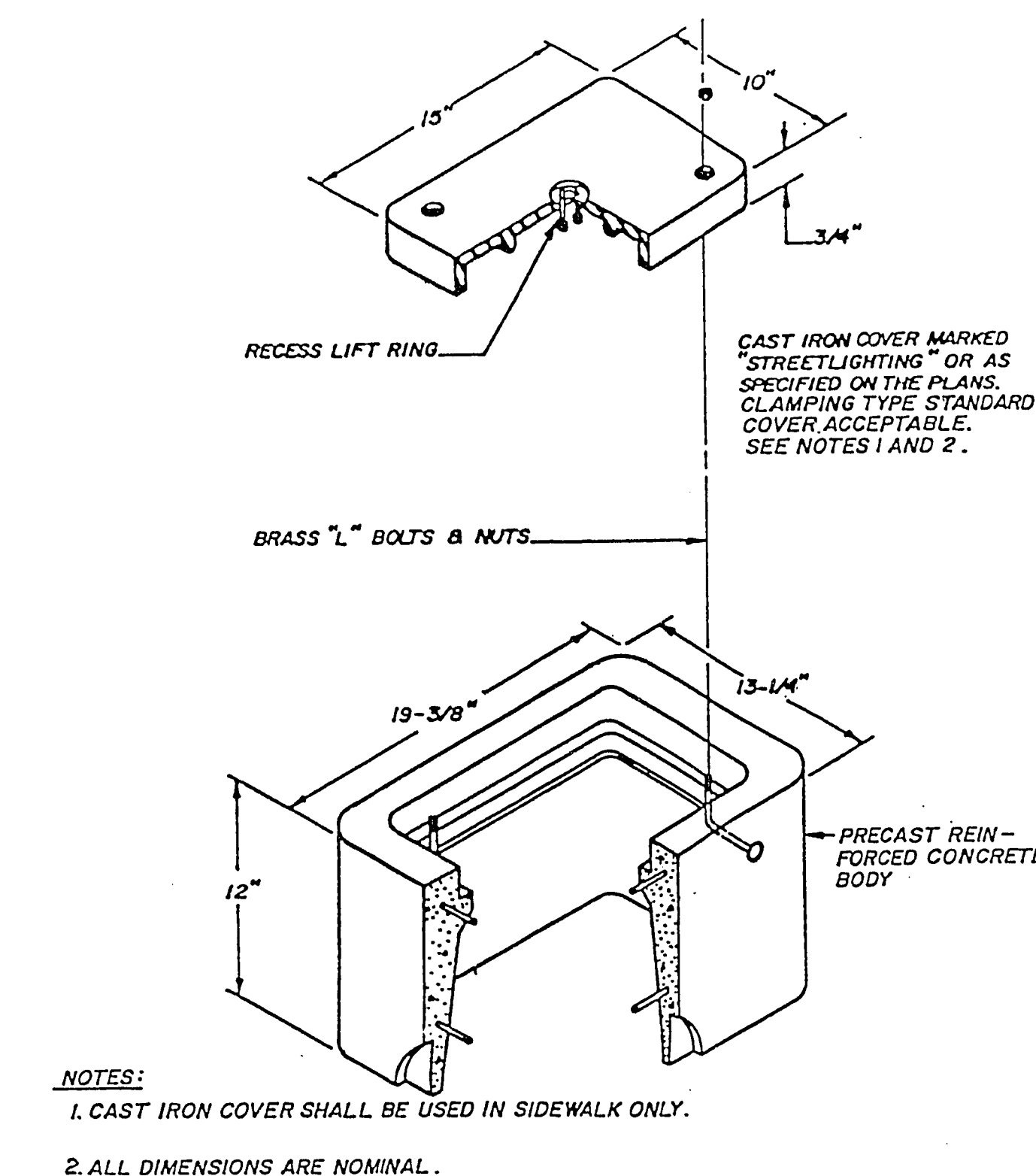
D SERVICE POINT SINGLE METER PADMOUNT



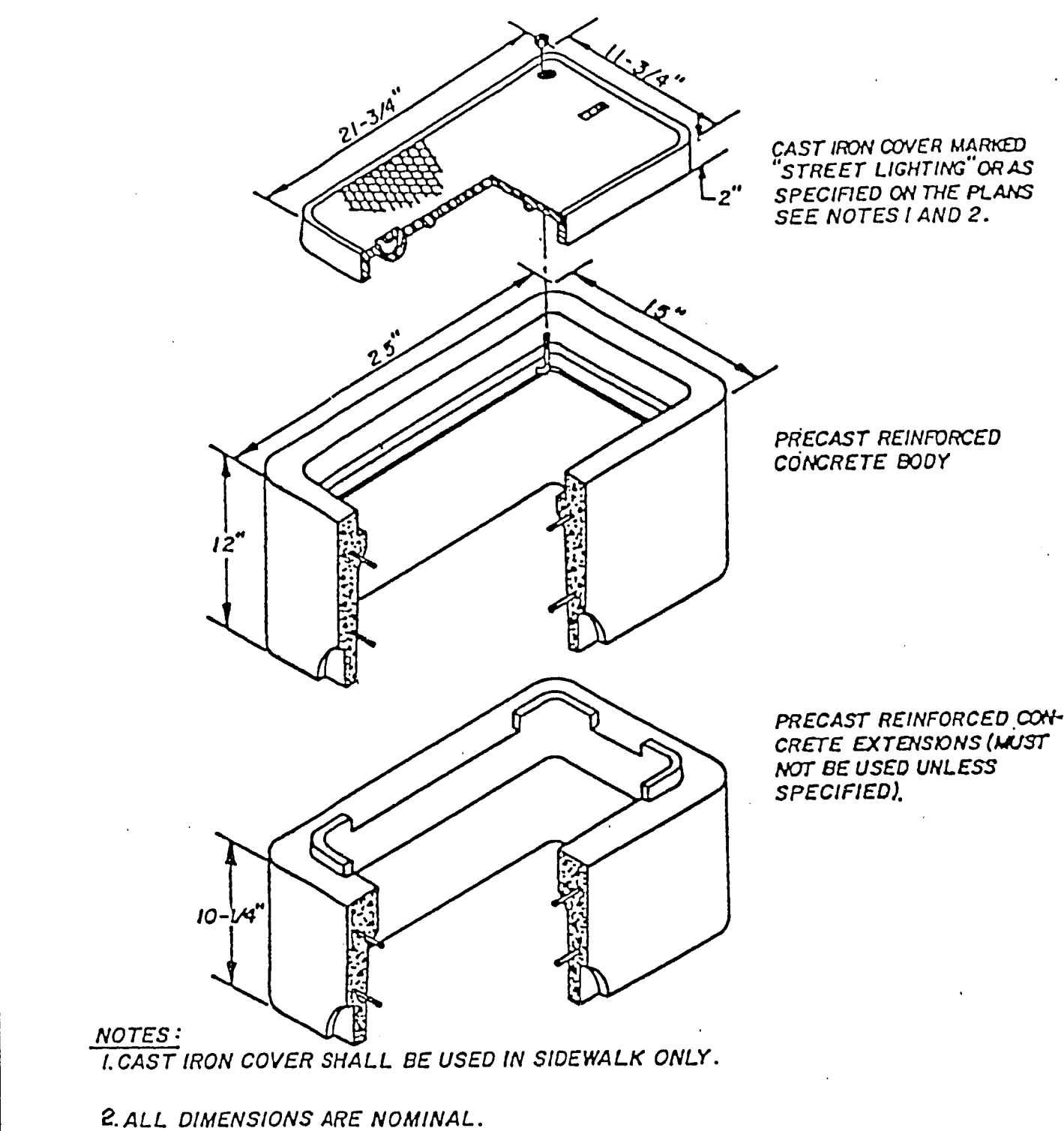
E BASE ADAPTOR PLATE FOR 16-1/2" BOLT CIRCLE FOUNDATION



F BASE ADAPTOR PLATE FOR 19" BOLT CIRCLE FOUNDATION



G No. 3-1/2 PULL BOX



H No. 5 PULL BOX

| | | | |
|---|-----------|---------------------------|---------------|
| W.A. W.U.6410 | | Date | |
| Scale (v) | DEC. 1988 | Drawn by | NORMA GOMEZ |
| Scale (h) | | Design by | |
| Fid. bk. no. | | Approved by | CITY ENGINEER |
| | | | |
| Department of Public Works OWENS AVENUE (PECOS RD. TO NELLIS BLVD.) | | ELECTRICAL DETAILS | |
| | | Drawing no. 107 V858 | |