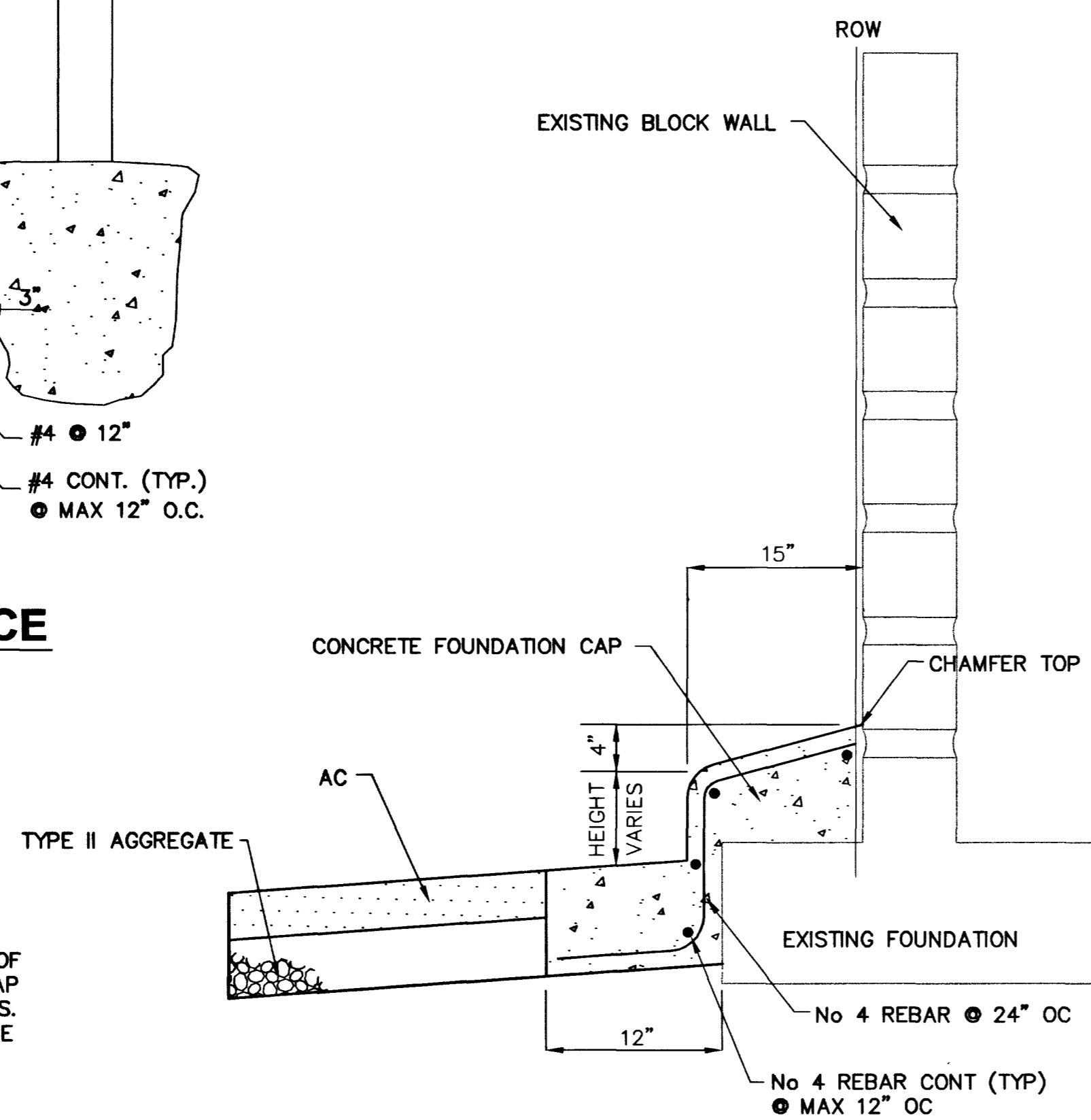


RETAINING WALL @ FENCE

NOTE: APPROXIMATE LOCATIONS OF PROPOSED FOUNDATION CAP ARE SHOWN ON THE PLANS. ACTUAL LOCATIONS WILL BE DETERMINED IN THE FIELD BY THE ENGINEER.



RETAINING WALL FOUNDATION CAP @ BLOCK WALL

1
D06

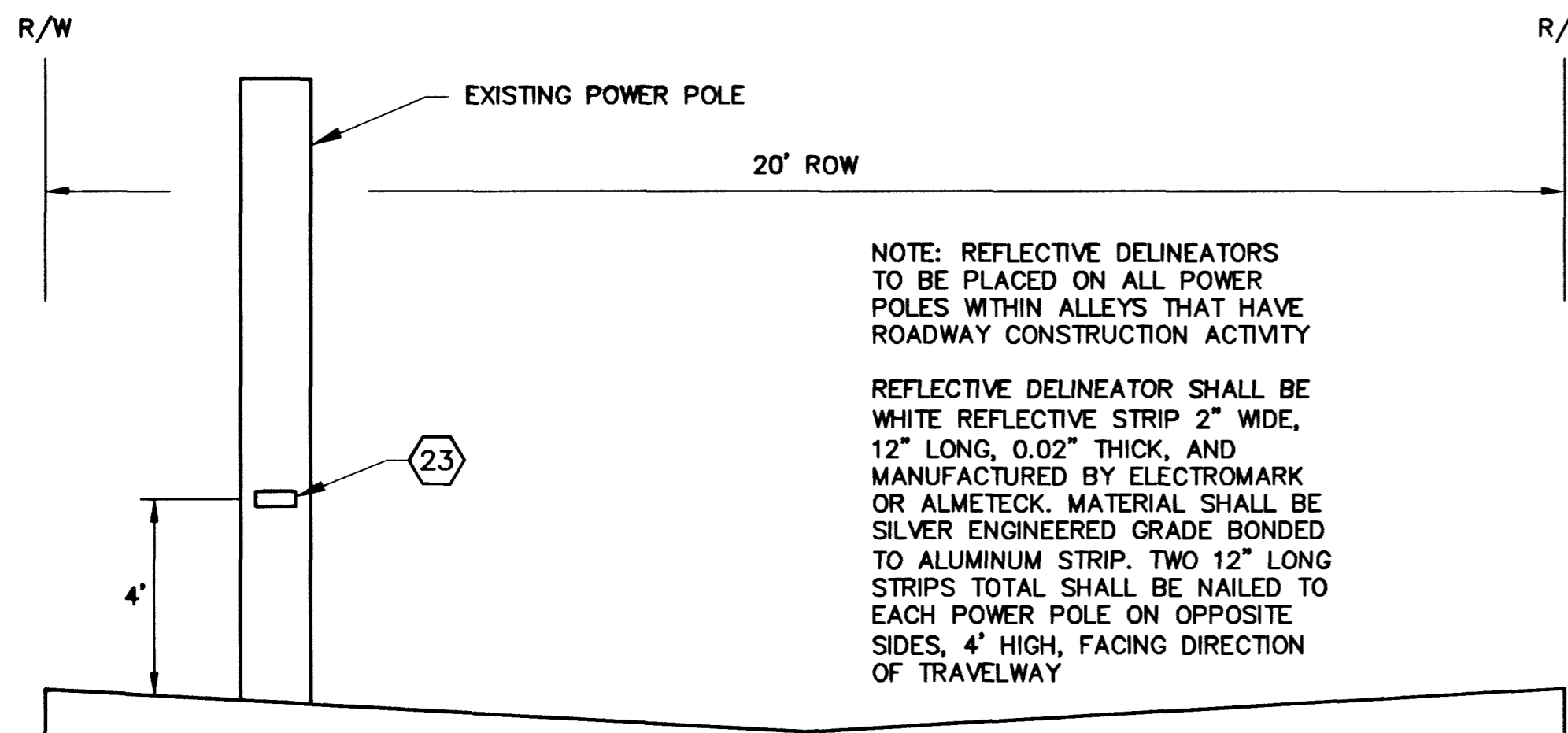
FOUNDATION CAP

NOT TO SCALE

2
D06

PROJECT SIGN

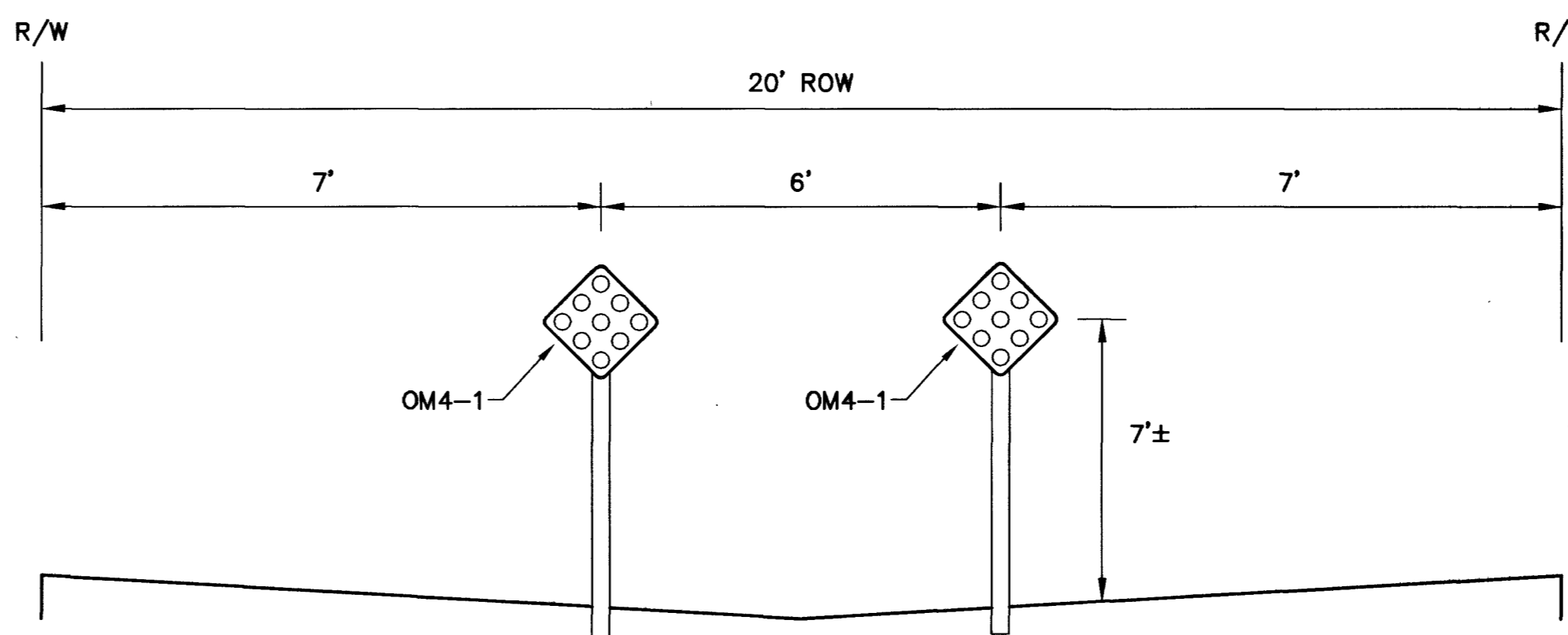
NOT TO SCALE



REFLECTIVE DELINEATOR ON EXISTING POWER POLE

NOT TO SCALE

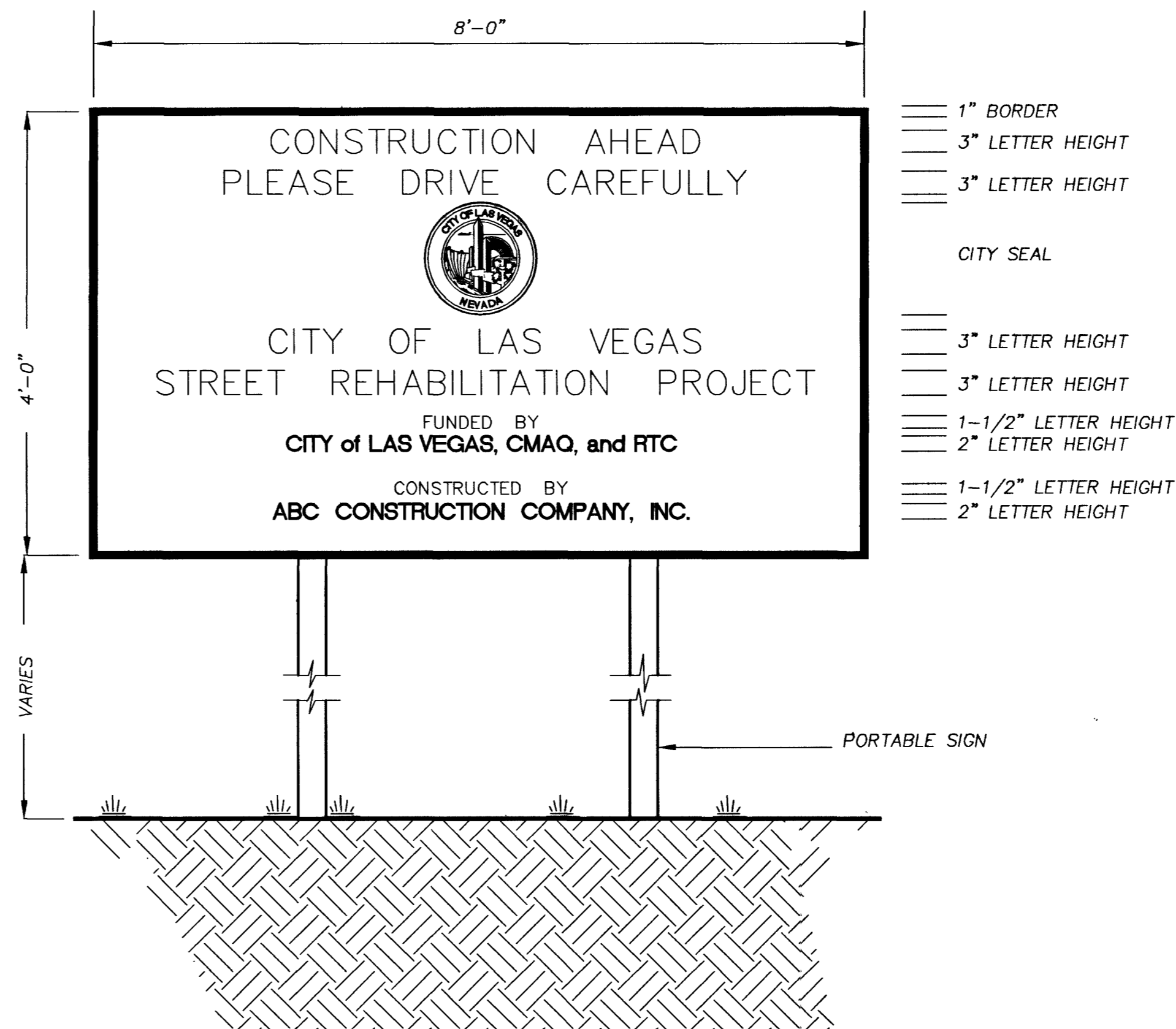
3
D06



END OF ROAD MARKERS

NOT TO SCALE

4
D06



NOTES:

SIGN SHALL BE PAINTED WHITE WITH 1" BLACK BORDER. ALL LETTERING TO BE BLACK EXCEPT TOP ONE WHICH SHALL BE RED.
SIGN SHALL BE PLACED SO AS NOT TO OBSTRUCT SAFE STOPPING SIGHT DISTANCE AND SHALL NOT OBSTRUCT ANY PEDESTRIAN WAY.
CITY OF LAS VEGAS INSPECTORS SHALL IDENTIFY THE LOCATION FOR PORTABLE SIGNS.

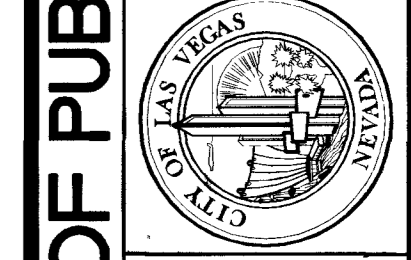
CAUTION:
EXISTING UTILITY LOCATIONS SHOWN HEREIN ARE APPROXIMATE ONLY. IT SHALL BE THE CONTRACTOR'S RESPONSIBILITY TO DETERMINE THE EXACT VERTICAL AND HORIZONTAL LOCATIONS OF ALL EXISTING UNDERGROUND UTILITIES PRIOR TO COMMENCING CONSTRUCTION. NO REPRESENTATION IS MADE THAT ALL EXISTING UTILITIES ARE SHOWN HEREON. THE ENGINEER ASSUMES NO RESPONSIBILITY FOR UTILITIES NOT SHOWN IN THEIR PROPER LOCATIONS. CALL BEFORE YOU DIG. 1(800)227-2800.

INSTALL REFLECTIVE DELINEATOR, POLE MOUNTED PER DETAIL 3, SHEET D06 (627.00.02)



REVISIONS	DESCRIPTION	NO.	DATE

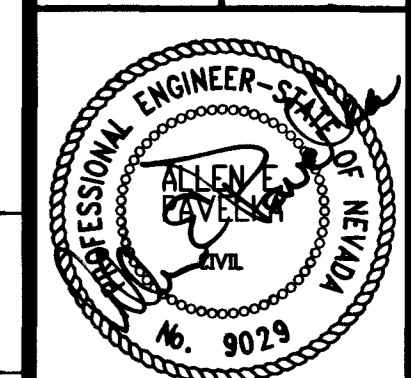
ENGINEERING DESIGN SECTION
CITY ENGINEER: CHARLES W. JAKUBSKI, P.E.
PROJECT ENGINEER: SERRI L. TURNER, P.E.
DESIGNED BY: TOM/PAAS
CHECKED BY: AEP
DATE: 07/07/03



3320 N. Buffalo Drive
Las Vegas, NV 89129-7410
Tel: 702-366-3208
Fax: 702-366-3758
Web: aztec.us



DEPARTMENT OF PUBLIC WORKS
PM 10/CMAQ ROADWAY IMPROVEMENTS
PHASE 2A - FINAL SUBMITTAL
MISCELLANEOUS DETAILS



STAMP DATE: 1-1-03
EXP. DATE: 12/31/03
Sheet **D06**
56 of 56
107-3712-2a