

BENCHMARK
 CITY OF LAS VEGAS BENCHMARK #1V10-3446
 RIVET AND PLATE IN TOP OF CURB ON FORT APACHE ROAD, 1494' NORTH OF RED HILLS ROAD, ON THE EAST CURB LINE.
 ELEV = 839.8849 METERS (NGVD'29)
 ELEV = 2755.528 U.S. SURVEY FEET (NGVD'29)
 DATUM CONVERSION: NAVD'88 = NGVD'29 + 2.45
 2757.978 U.S. SURVEY FEET (NAVD'88)

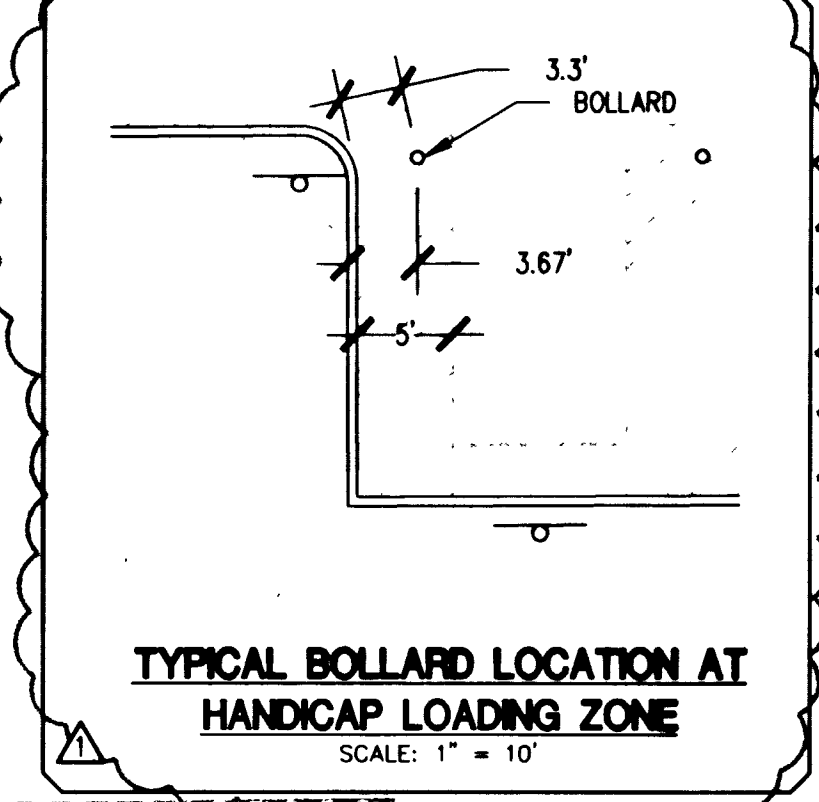
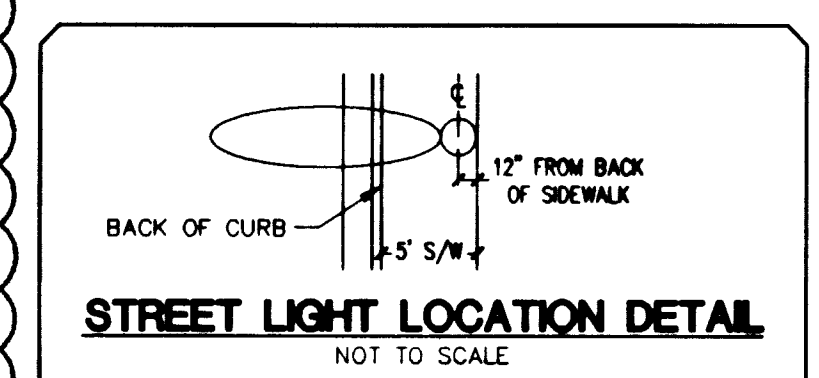
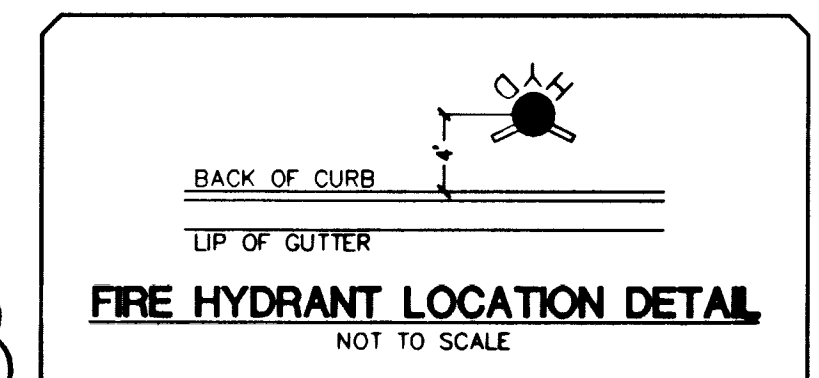
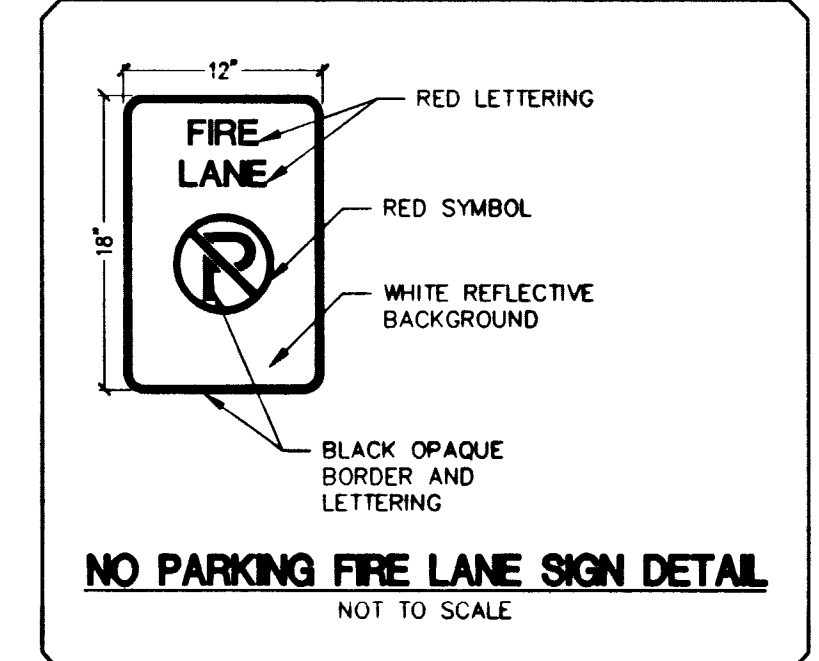
BASIS OF BEARINGS
 NORTH 89°40'03" EAST, BEING THE BEARING OF THE NORTH LINE OF THE NORTHEAST QUARTER (NE 1/4) OF THE NORTHEAST QUARTER (NE 1/4) OF SECTION 5, TOWNSHIP 21 SOUTH, RANGE 60 EAST, M.D.M., CLARK COUNTY, NEVADA, AS SHOWN ON THAT CERTAIN MAP ON FILE IN THE CLARK COUNTY RECORDER'S OFFICE IN FILE 81 OF SURVEYS, AT PAGE 62.

LEGEND
 PROPOSED HEAVY DUTY PAVEMENT
 PAINTED WHITE BLOCK LETTERING "NO PARKING FIRE LANE" (NOT LESS THAN 4 INCHES IN HEIGHT WITH A STROKE OF NOT LESS THAN 3/4 INCH EVERY 50' TO FIT ON CURB)

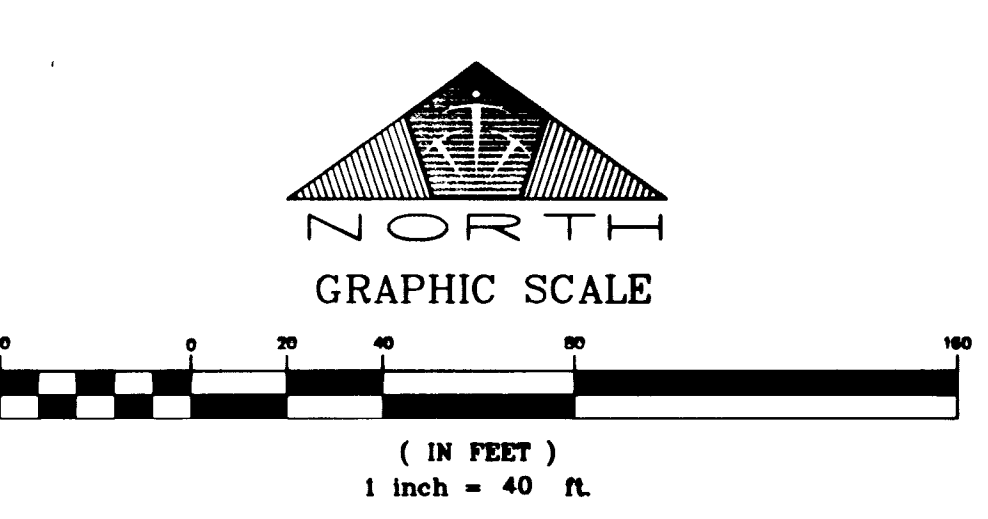
ON-STREET PARKING IN MARKED FIRE LANE AREAS PROHIBITED
 WHITE REFLECTIVE BACKGROUND
 BLACK OPAQUE BORDER AND LETTERING
ENTRANCE WARNING SIGN DETAIL
 NOT TO SCALE

NOTE
 STREET LIGHTS ARE ONLY REQUIRED ON ONE SIDE OF A 60' / 51' RIGHT-OF-WAY. IF STREET LIGHTS ON THE EAST SIDE OF THE STREET ARE NOT INSTALLED AT THE TIME OF CONSTRUCTION, THE STREET LIGHTS ON THE WEST SIDE OF THE STREET WILL BE REQUIRED TO BE INSTALLED ON THIS SITE.

- CONSTRUCTION NOTES**
1. INSTALL STOP BAR
 2. INSTALL R1-1 SIGN (36" STOP SIGN)
 3. INSTALL HANDICAP PARKING SIGN PER SHEET C23
 4. INSTALL ENTRANCE WARNING SIGN, SEE DETAIL THIS SHEET
 5. INSTALL NO PARKING FIRE LANE SIGN, SEE DETAIL THIS SHEET
 6. INSTALL HANDICAP VAN PARKING SIGN PER SHEET C23
 7. INSTALL HANDICAP PASSENGER LOADING SIGN PER SHEET C23
 8. INSTALL OM-1 SIGN, ONE ON BLOCK WALL AND ONE ON WROUGHT IRON.
 9. INSTALL OM-3R SIGN
 10. INSTALL R2-1 SPEED LIMIT SIGN. (25 MPH)
 11. INSTALL R8-3A "NO PARKING" SIGN
 12. INSTALL R3-7 "RIGHT LANE MUST TURN RIGHT" SIGN
 13. INSTALL R3-5 RIGHT TURN ONLY ARROW SIGN



NOTE:
 SEE SHEETS C15 - C18 FOR EDGE OF PAVEMENT STRIPING.



Call before you OVERHEAD
 1-702-593-6111
 UTILITY SERVICES DEPARTMENT

Call before you Dig.
 1-800-227-2600
 MEMORANDUM SERVICE ALERT CARD

DATE: 04/11/01
 PM: C. HIGH
 DRAWN BY: M. GRINES
 DESIGNED BY: M. GRINES
 CHECKED BY: C. HIGH
 ADA CHECKED:
 JOB NO.: 05002888
 SCALE: 1" = 40'

PENTACORE
 CIVIL ENGINEERING • LAND SURVEYING • PLANNING
 CONSULTING
 675 WEST CHARLESTON BOULEVARD
 LAS VEGAS, NEVADA 89146 (702)258-0115

OUTBACK STEAKHOUSE INC.
 ODETTIE CENTER

FIRE, TRAFFIC, AND STREETLIGHT PLAN

PROFESSIONAL ENGINEER
 CARL W. HIGH
 CIVIL
 LICENSE NO. 10794

SHEET **C20**
 20 OF 23
 DRAWING NO. 107-V343