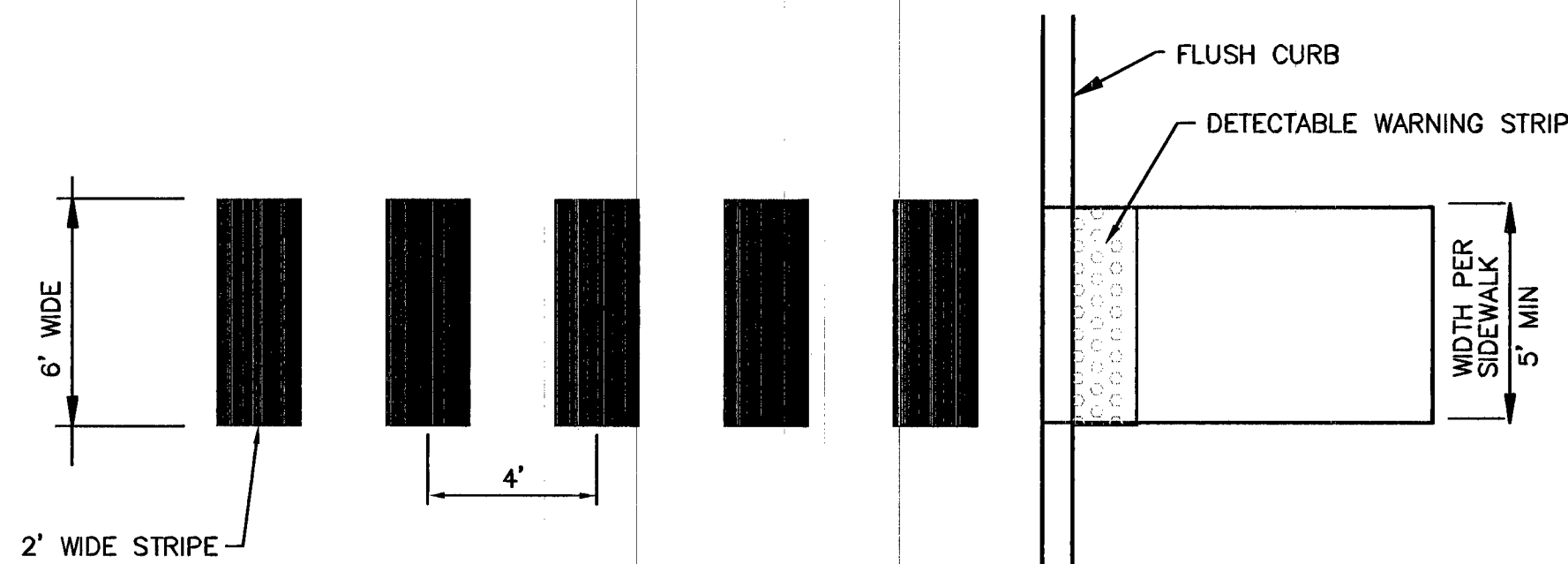
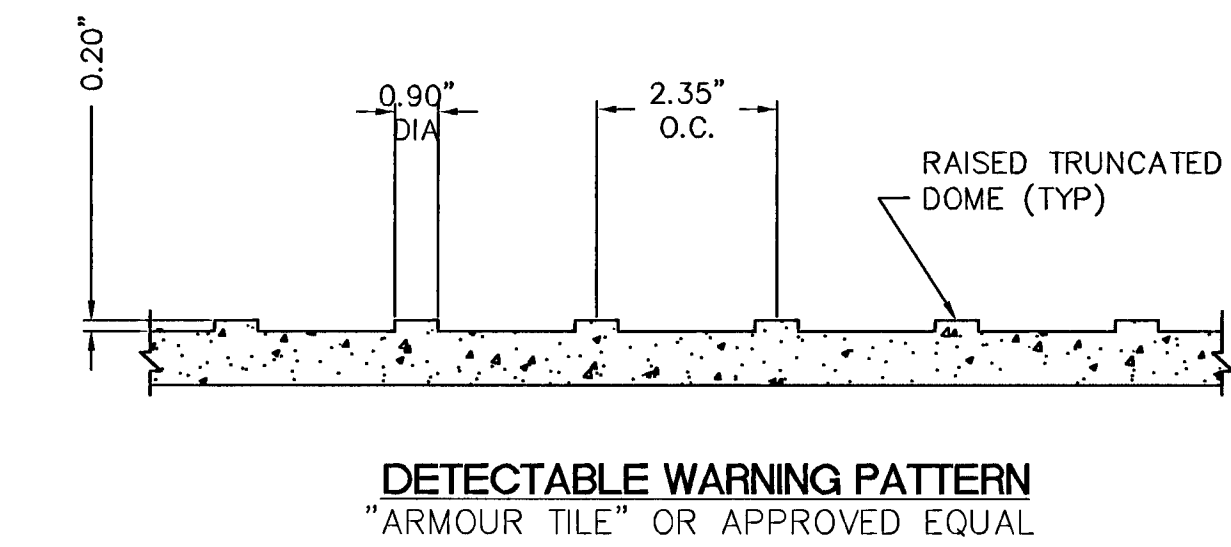
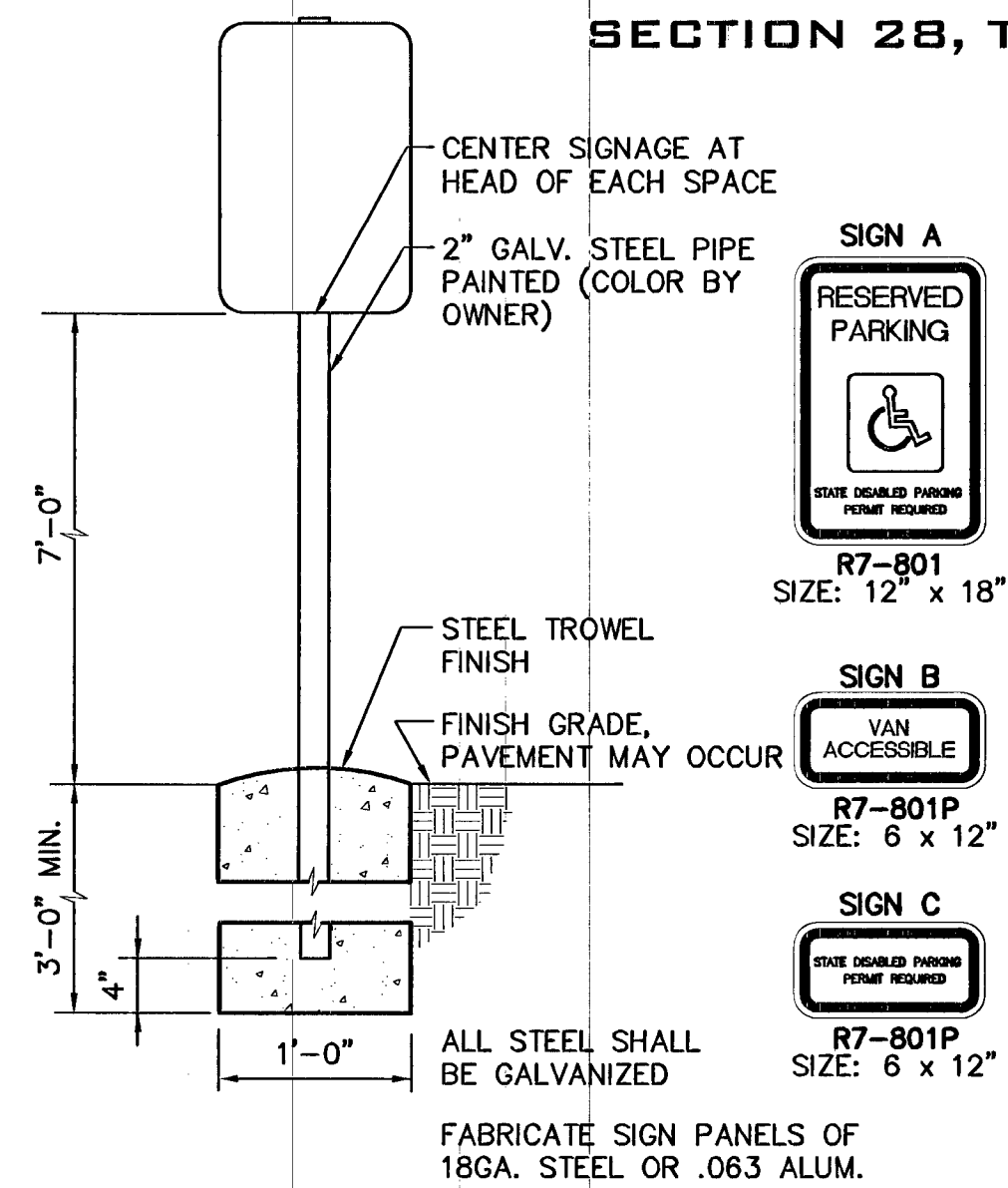
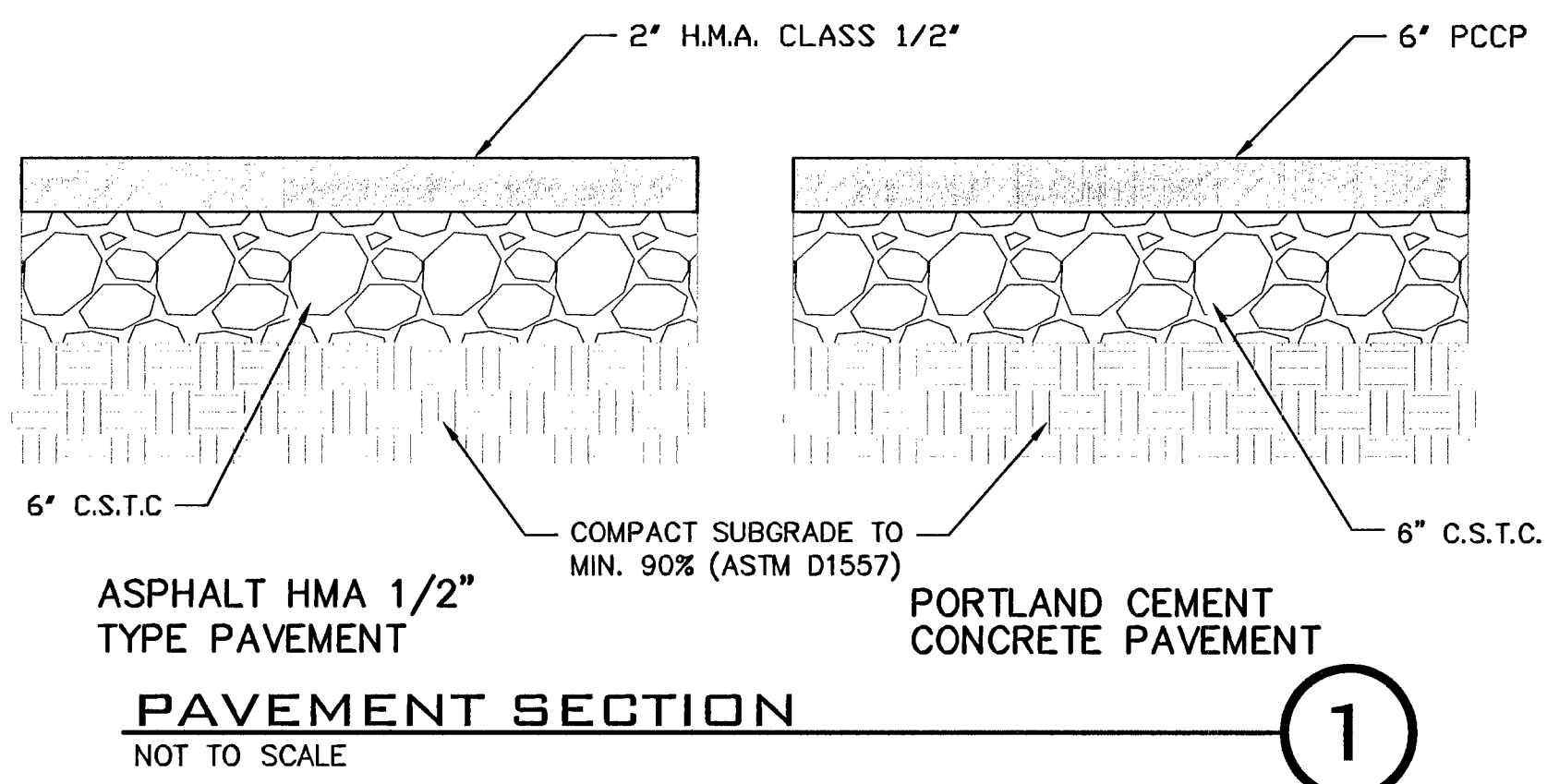
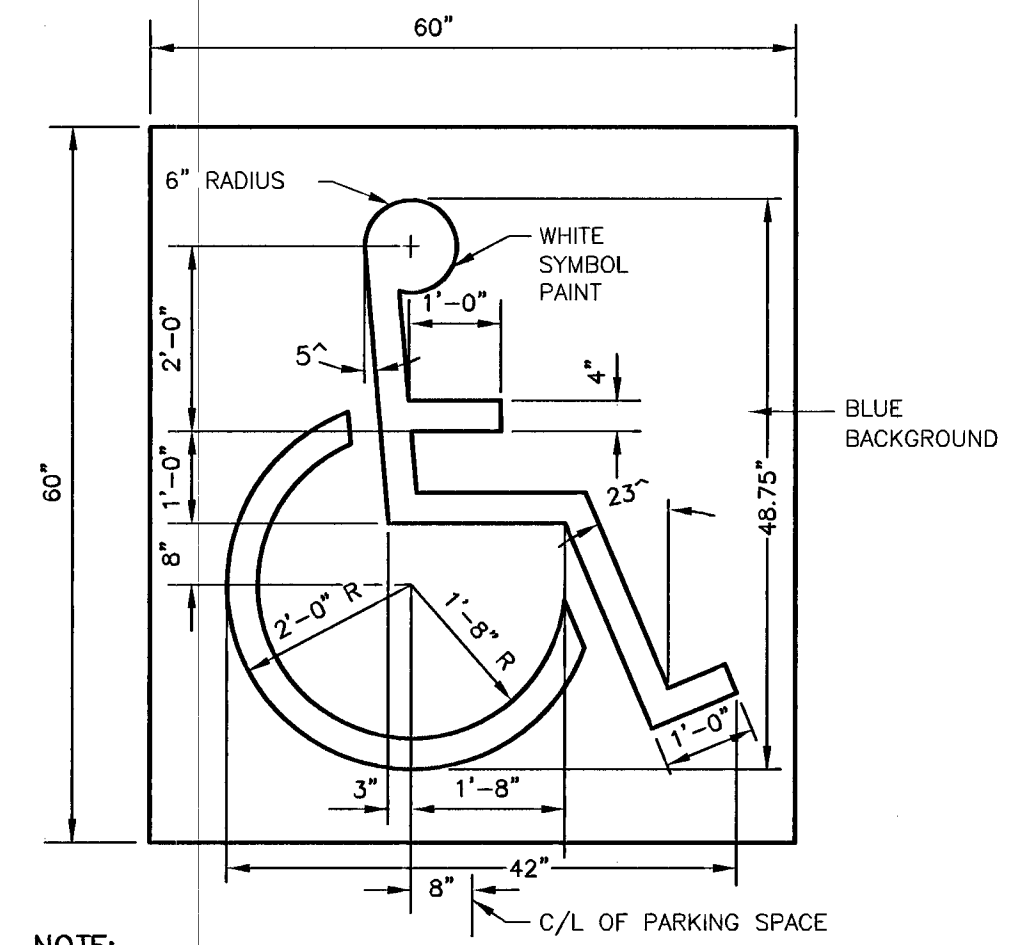
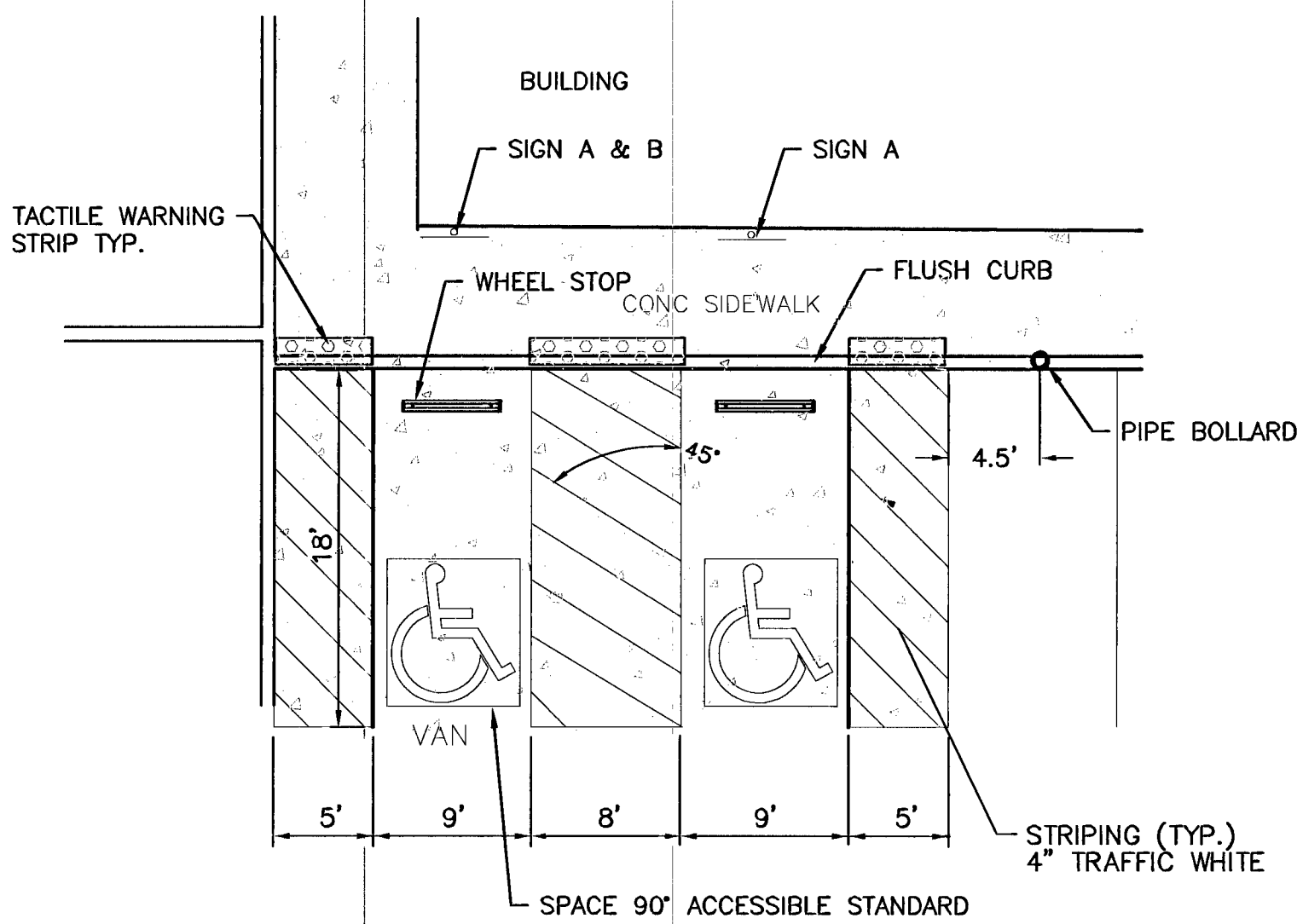
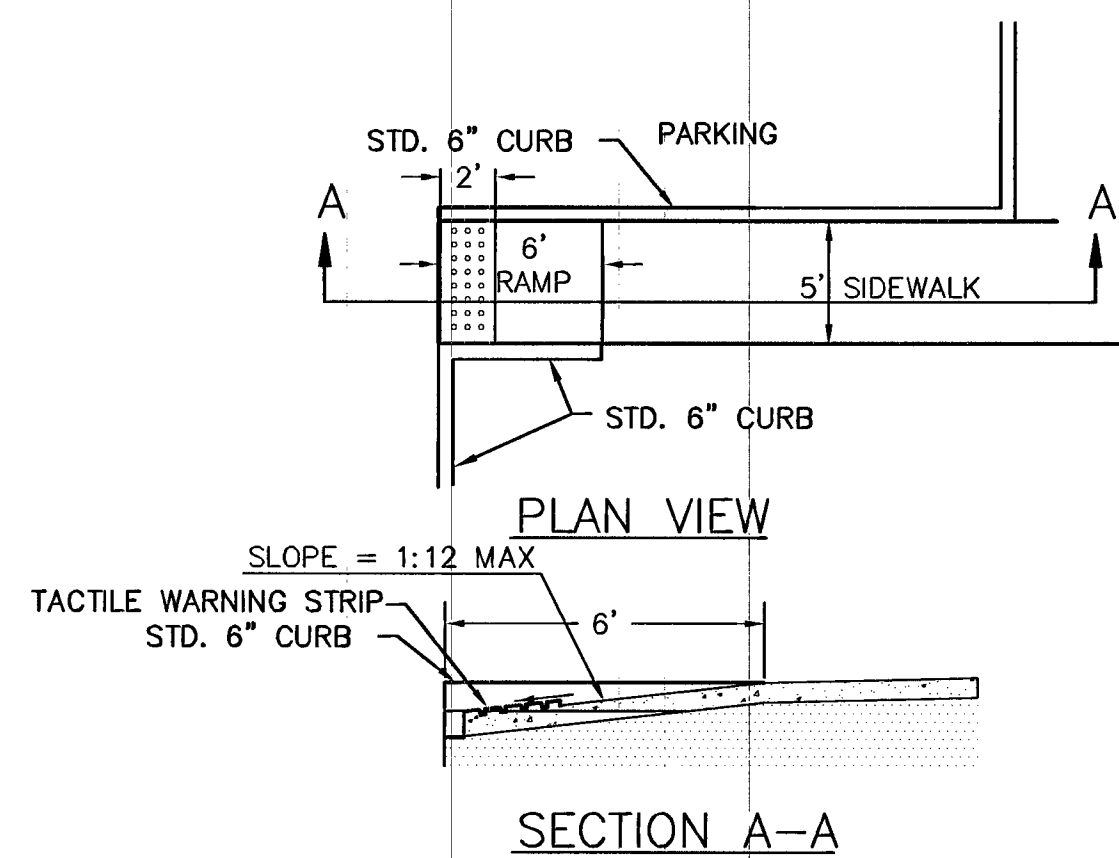
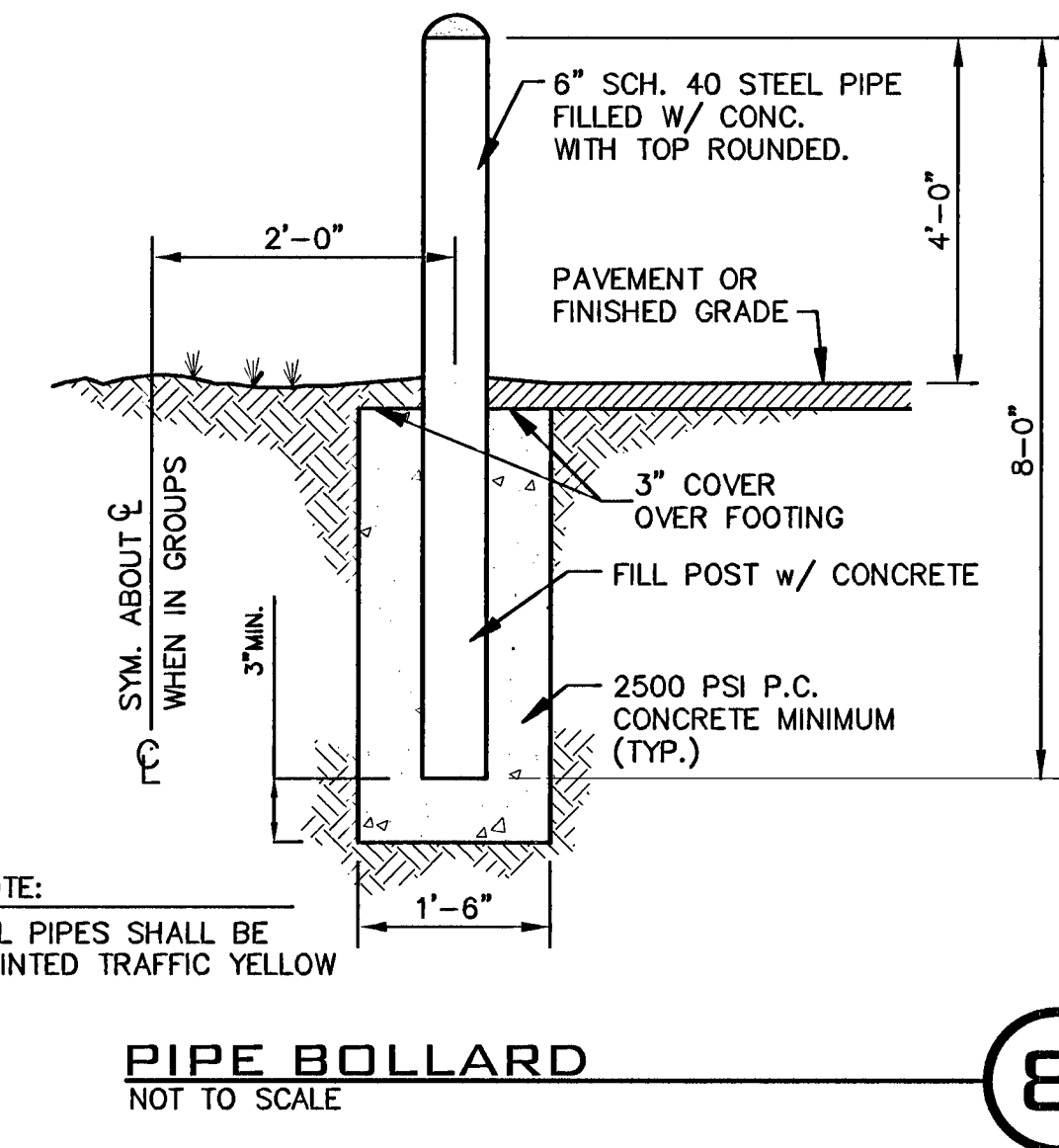
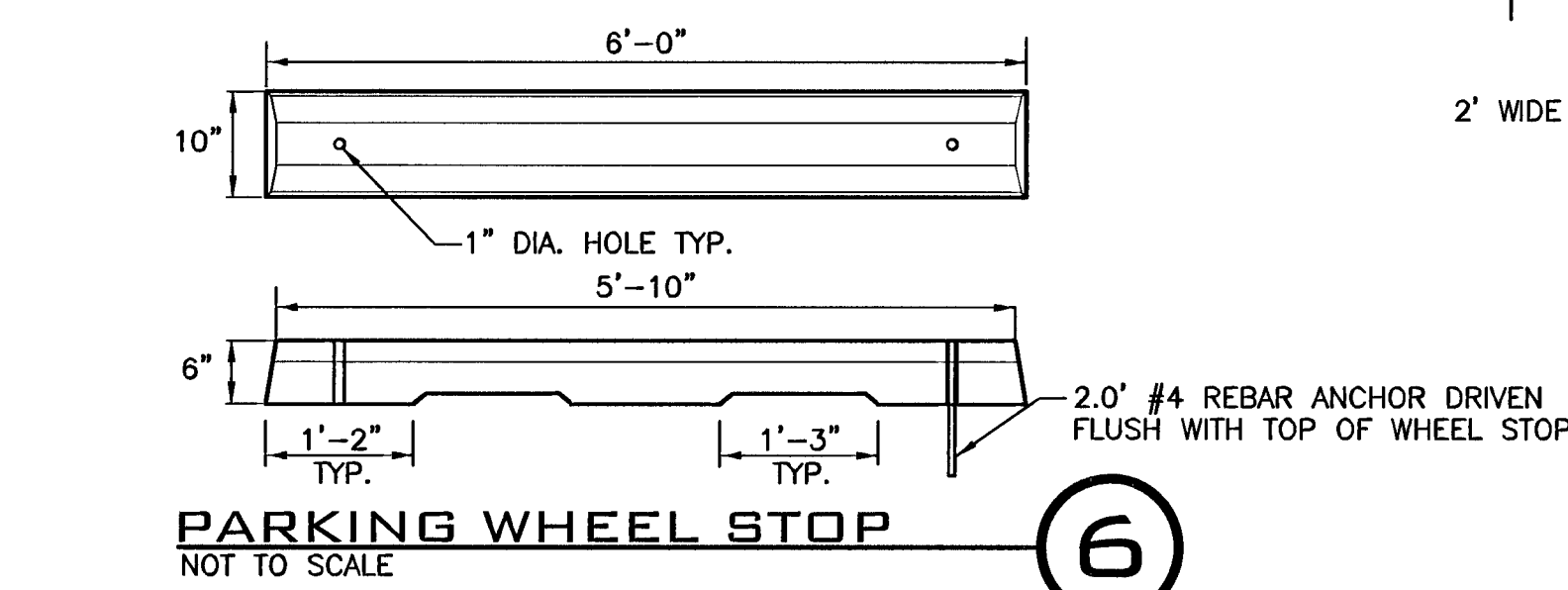


SECTION 28, T. 20 S., R. 61 E., M.D.M.

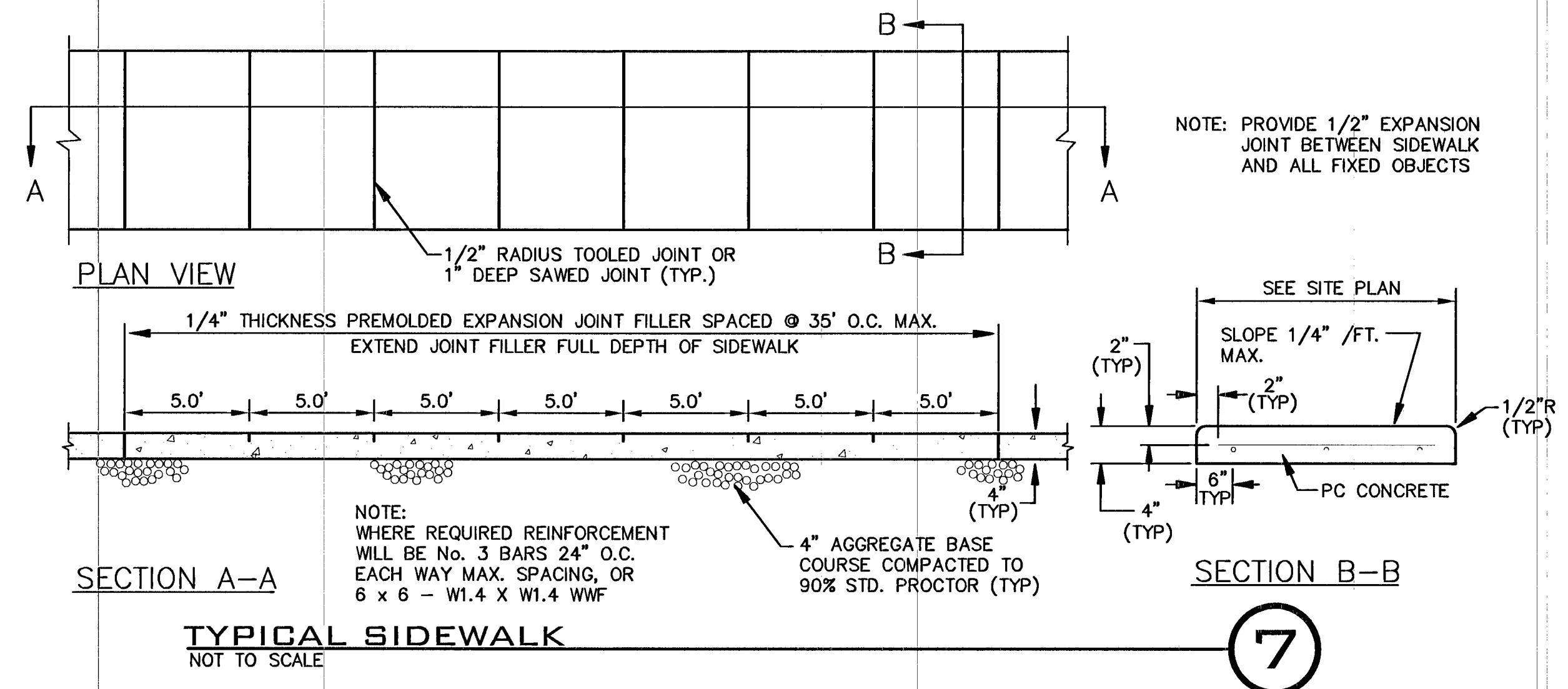


- NOTE:
1. MARKINGS FOR STREET SHALL BE ACCORDING TO REQUIREMENTS AS OUTLINED IN SECTION 3B OF THE MANUAL ON UNIFORM TRAFFIC CONTROL DEVICES FOR STREETS AND HIGHWAYS.
 2. THESE MARKINGS ARE TO BE PAINTED REFLECTIVE WHITE.



- NOTE:
1. 60"x60" BLUE BACKGROUND. BLUE SHALL BE IN ACCORDANCE WITH MUTCD/FEDERAL SPECIFICATIONS. (COLUMBIA PAINT 17-123-21 INSTANT DRY ACRYLIC TRAFFIC PAINT "HANDICAP BLUE" OR EQUIVALENT.)
 2. 42"x48.75" SYMBOL OF ACCESSIBILITY SHALL BE WHITE. SEE STATE FABRICATION MANUAL APPENDIX D-12.

ACCESSIBLE PARKING STALLS
NOT TO SCALE



Call before you dig
1-800-227-2800
1-702-455-7511

Call before you dig
UnderGround
1-702-455-7511
1-702-229-6811

CALL BEFORE YOU DIG
1-702-593-6111

WCE
MADISON DEVELOPMENT GROUP, LLC
WHIPPLE CONSULTING ENGINEERS
2828 NORTH SULLIVAN ROAD
SPRINGDALE, VA 24082
PH: 540-868-9517 FAX: 540-868-9527

MATRESS FIRM
SITE CONSTRUCTION DETAILS
80 S. MARTIN LUTHER KING BLVD.
LAS VEGAS, NEVADA

PROFESSIONAL ENGINEER - STATE OF NEVADA
RAYMOND B. KIMBALL
Exp. 6-30-15
No. 22110
4-8-14
CIVIL

SCALE:
HORIZONTAL: N/A
VERTICAL: N/A

PROJ #: 13-1112
DATE: 04/04/14
DRAWN: SMM
REVIEWED: TRW

SHEET
C3.1
6 OF 14

CLV DWG NUMBER
107V6237

COUNTY DATUM
CITY OF LAS VEGAS BENCHMARK NO. 7LV0128SSW6 BEING A RIVET & PLATE IN TOP OF CURB AT THE NORTHWEST CORNER OF SHADOW LANE & MESQUITE AVENUE.
ELEVATION: 2057.65 FEET OR 627.174 METERS, NAVD 88.

H# 52288