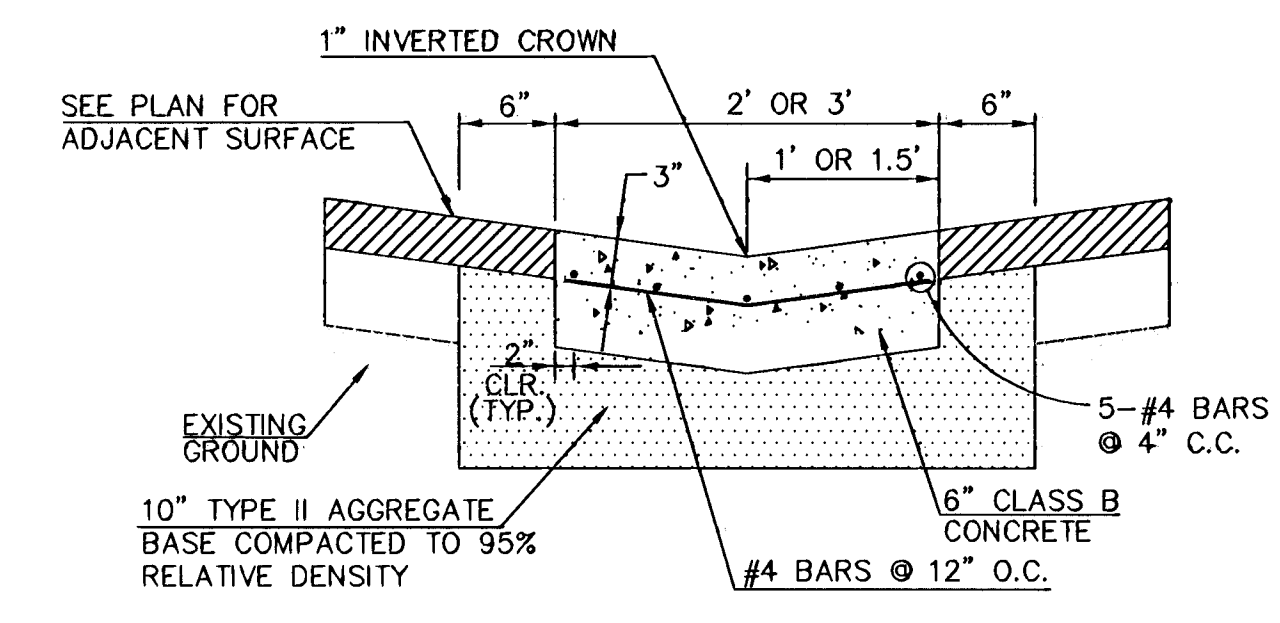
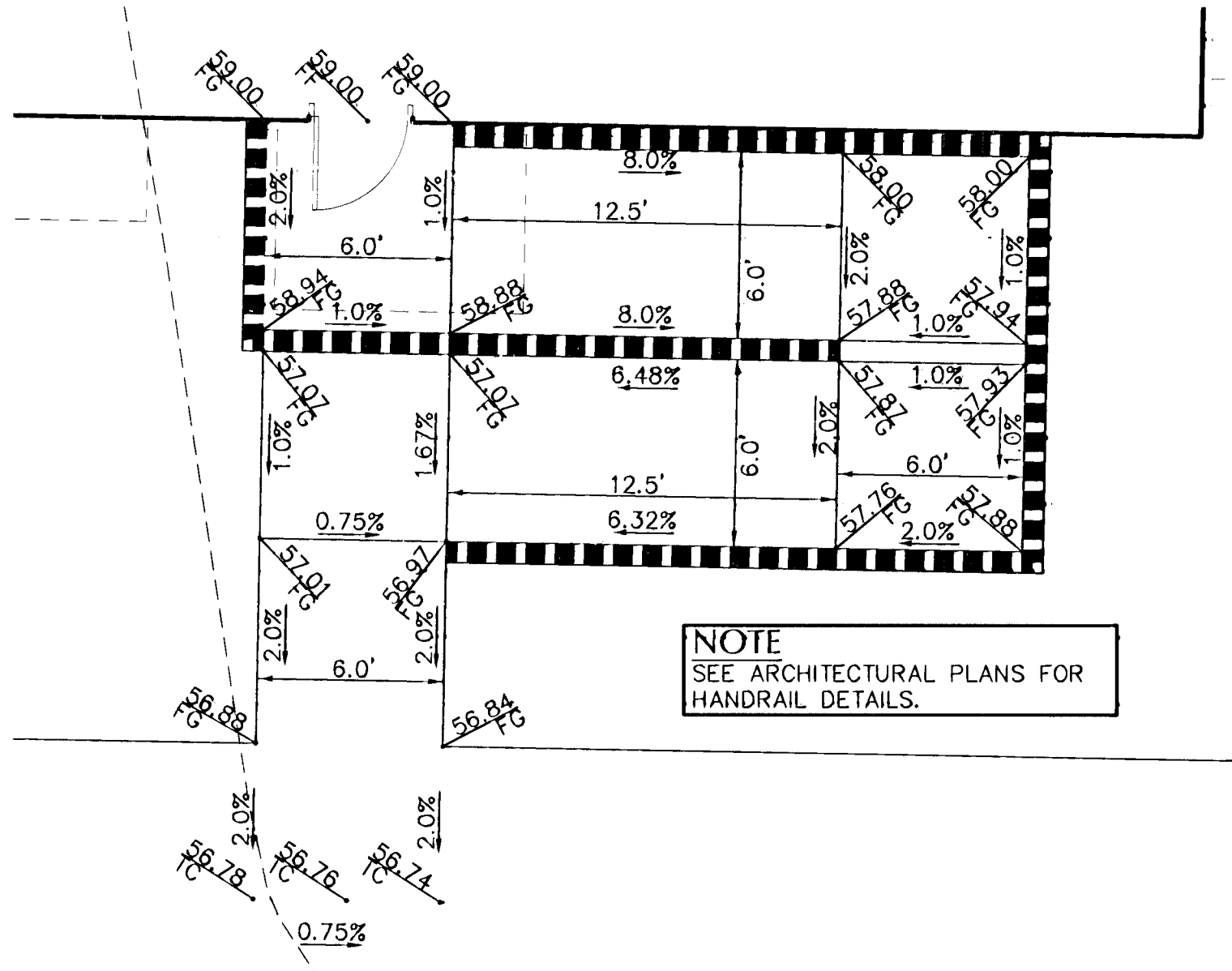


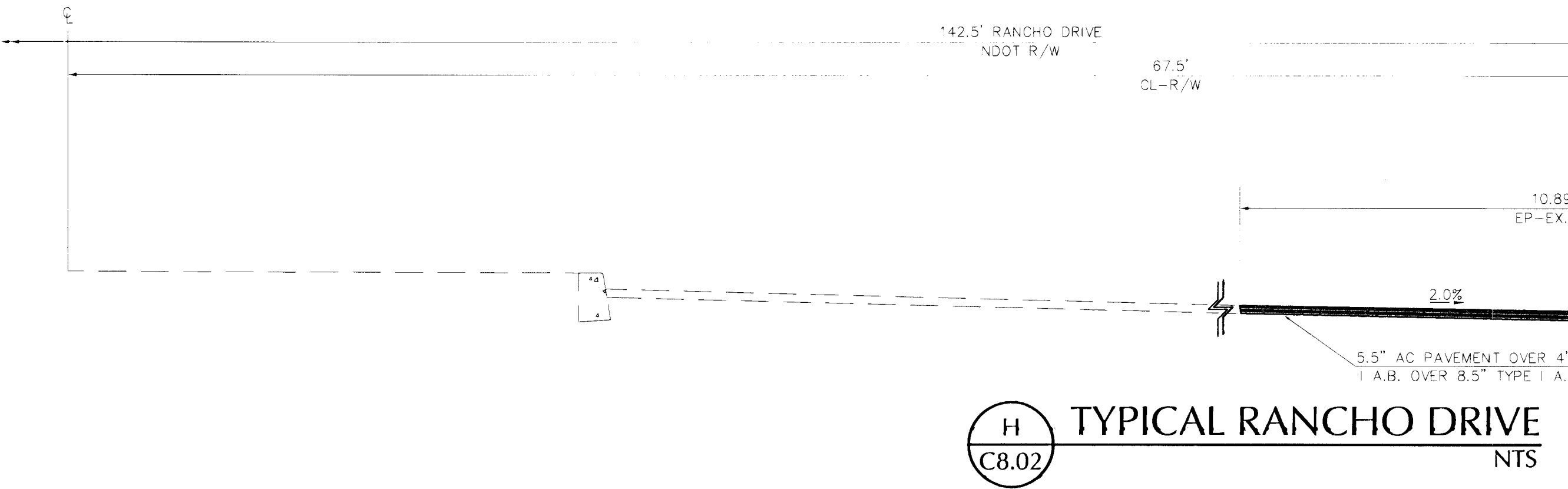
**A** NORTH PROPERTY LINE  
C8.02 NTS



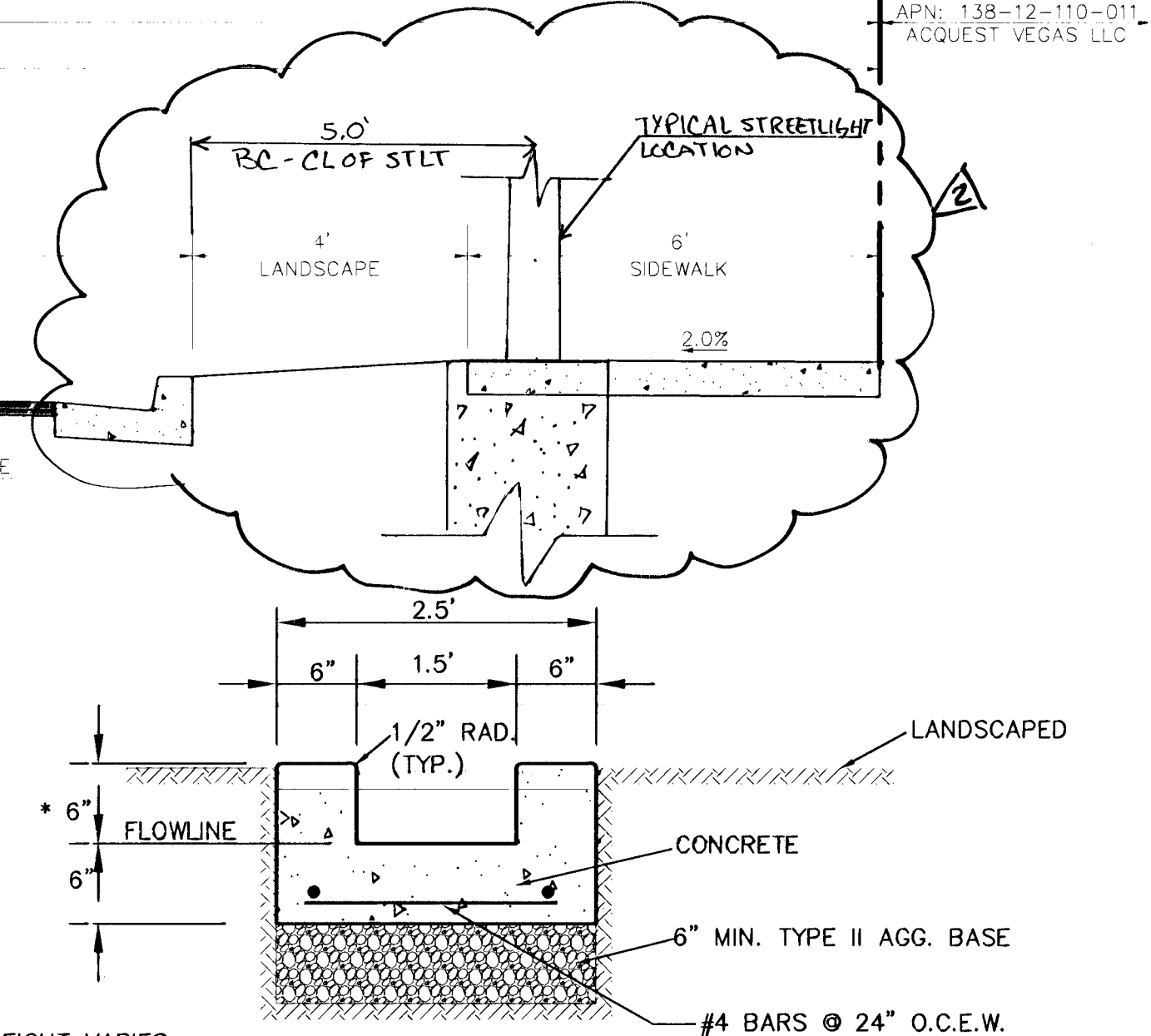
**B** 2' OR 3' VALLEY GUTTER  
C8.02 NTS



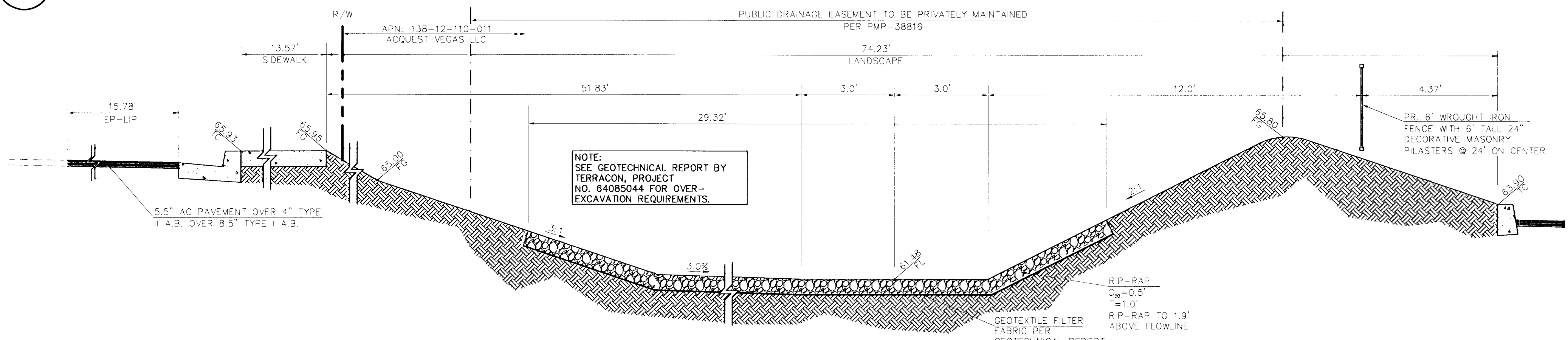
**D** ADA RAMP GRADING  
C8.02 NTS



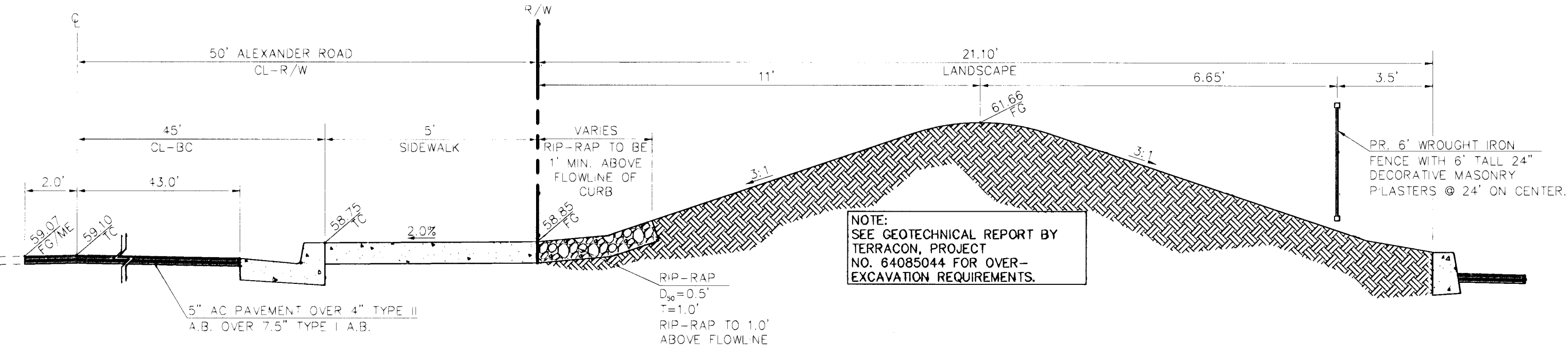
**H** TYPICAL RANCHO DRIVE  
C8.02 NTS



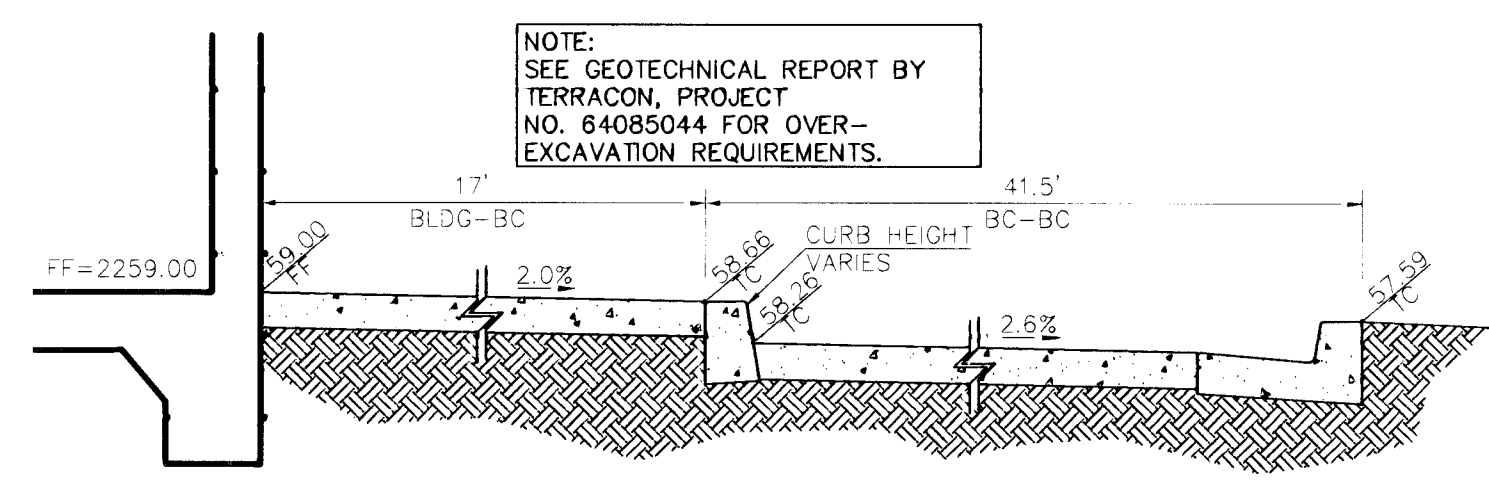
**G** CONCRETE FLUME  
C8.02 NTS



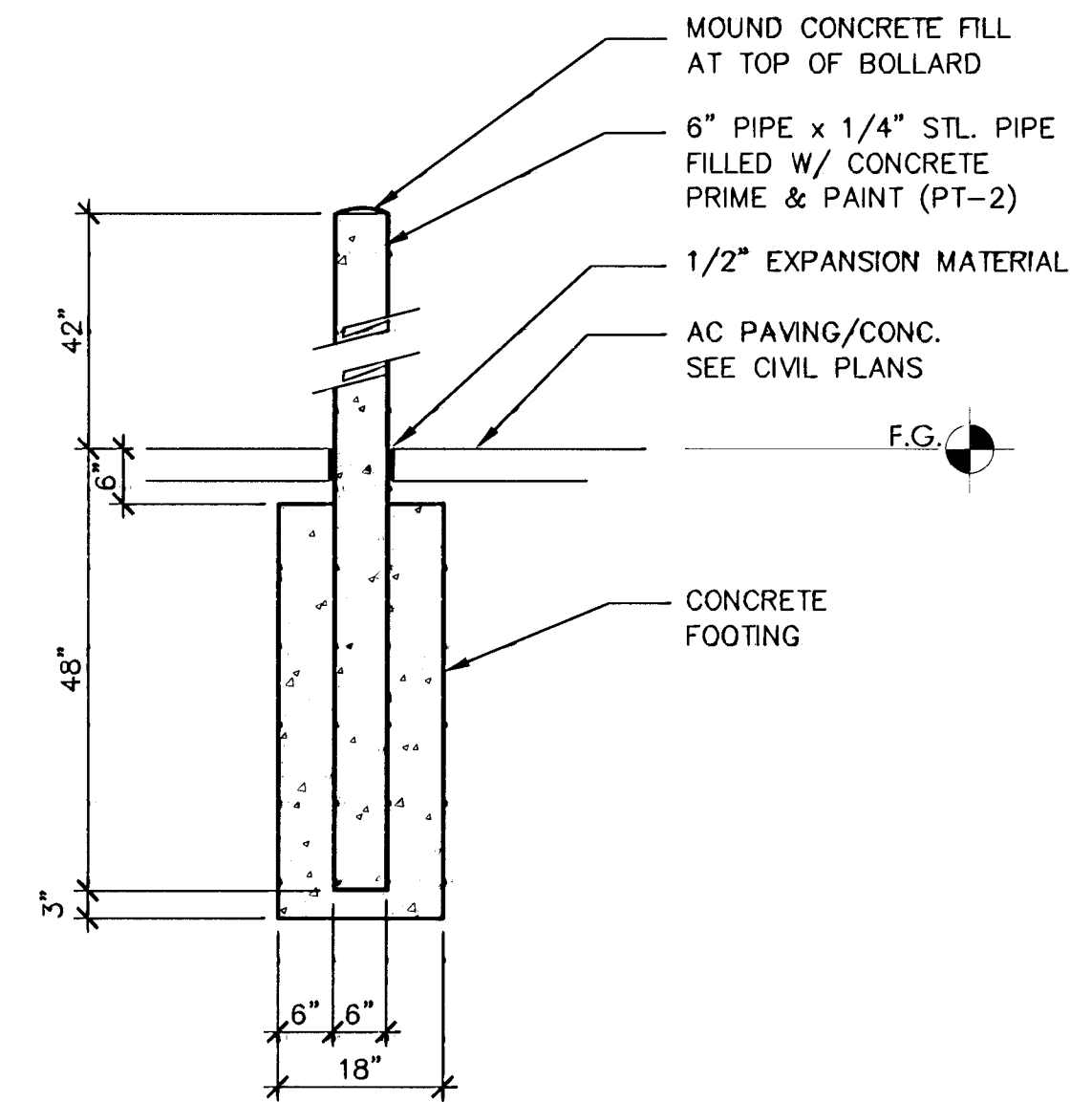
**E** NORTH CHANNEL SECTION  
C8.02 NTS



**F** NORTH PROPERTY LINE  
C8.02 NTS



**J** LOADING DOCK AREA  
C8.02 NTS



**K** STEEL PIPE BOLLARD  
C8.02 NTS

NO.	DESCRIPTION OF REVISIONS	DATE	INITIALS
1	REVERSE STREET LIGHT POLES FOUNDATIONS	8/20/10	T.M.

DATE	08/20/10
JOB NUMBER	3077
DESIGN BY	R. COBBEL
DRAWN BY	R. COBBEL
CHECKED BY	T. MILLER, P.E.

**MARTIN & MARTIN**  
Civil Engineers  
1909 S. Jones Boulevard  
Las Vegas, Nevada 89146  
Phone (702) 248-8000  
Fax (702) 248-8070

DEPARTMENT OF VETERANS AFFAIRS  
NORTHWEST LAS VEGAS OUTPATIENT CLINIC  
APN: 138-12-102-001, 002, 138-12-110-011

SHEET NUMBER  
**C8.02**  
SHEET 49 OF 69  
CLV#107V5514

DETAIL SHEET

12/15/11  
12/5/11