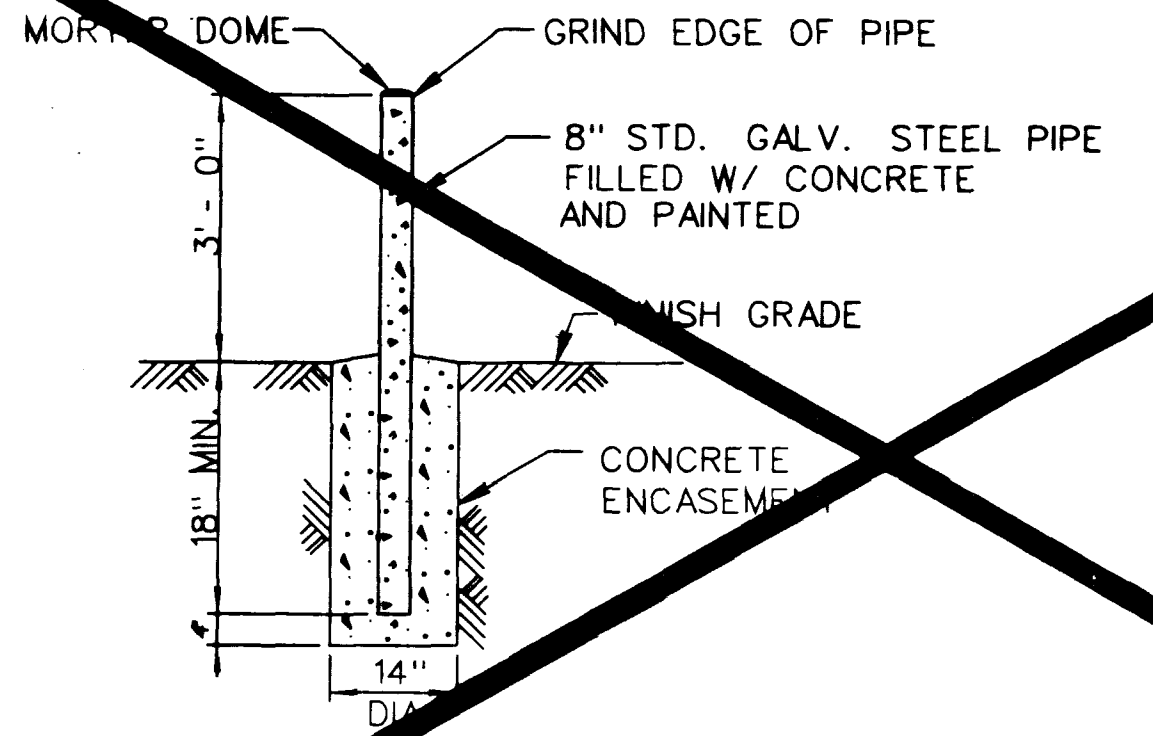
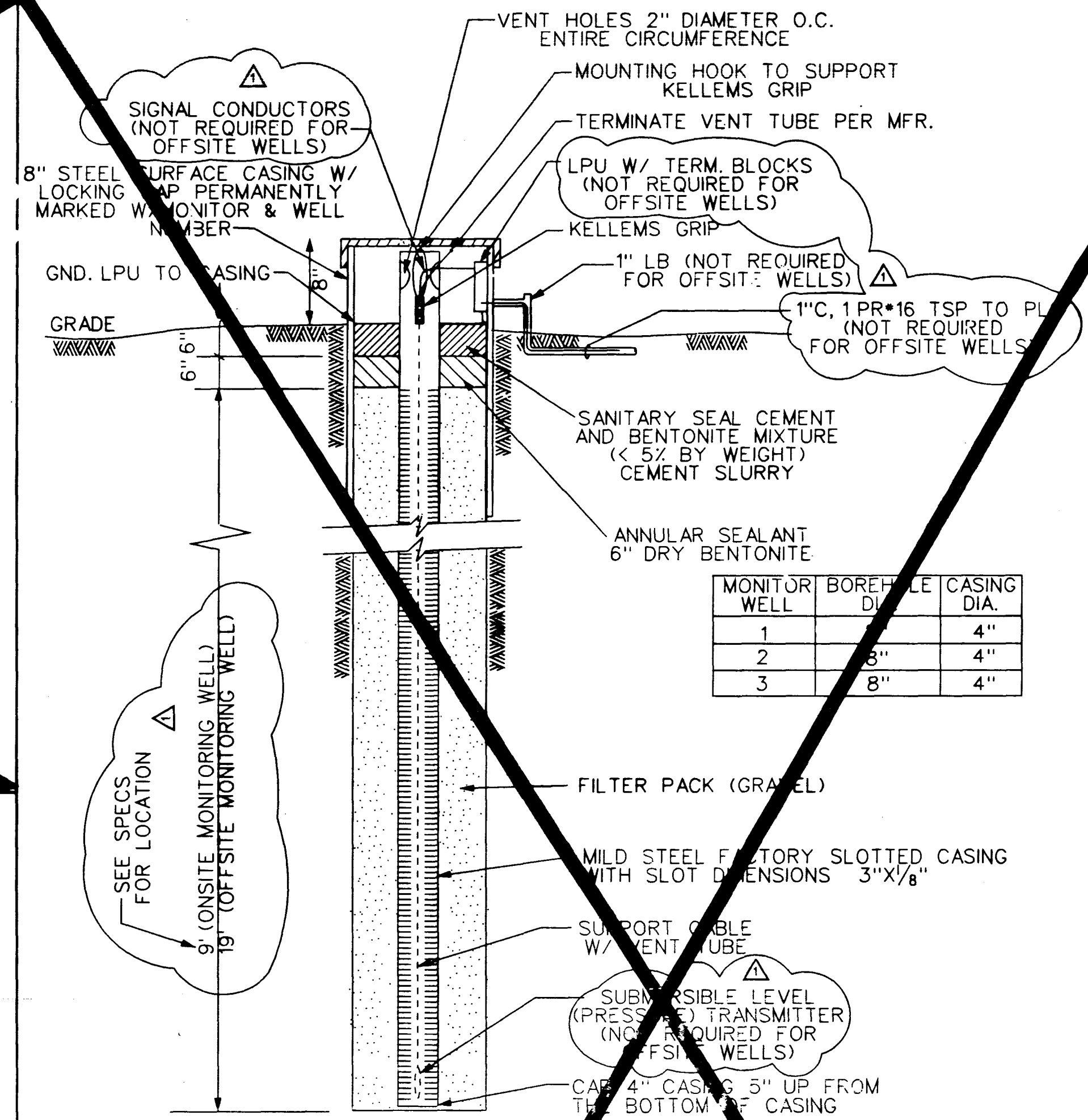


NOTE:  
IN TRAFFIC AREAS PROVIDE FLUSH FINISH WITH 18" I.D. CAST IRON COVER AND FRAME, ALHAMBRA FOUNDRY A-1256, NEENAH R-1791 OR EQUAL.

PRESSURIZED SYSTEM CLEANOUT TO GRADE  
REV. 051588 M-318



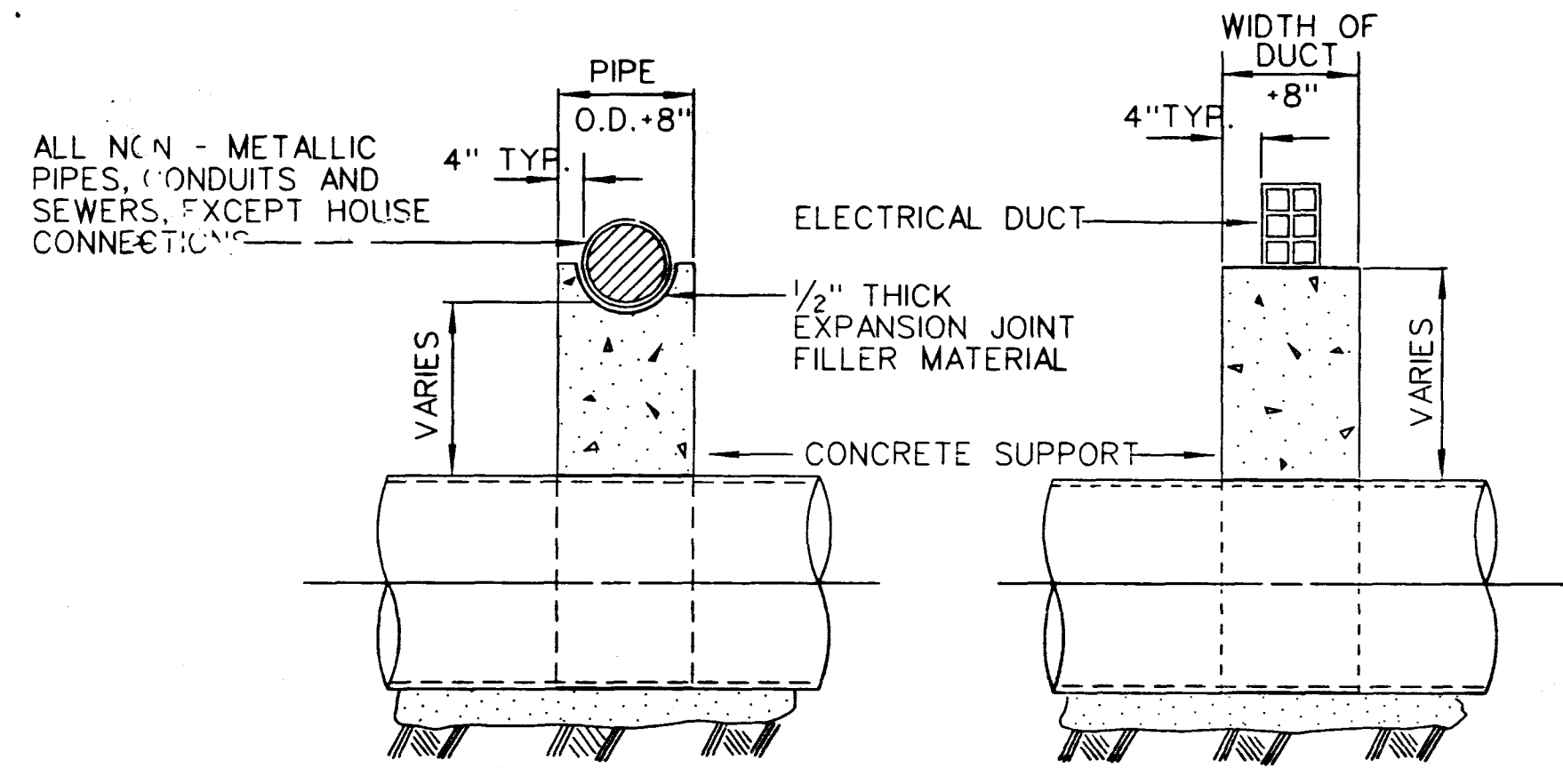
BUMPER POST DETAIL 2  
N.T.S. C-3



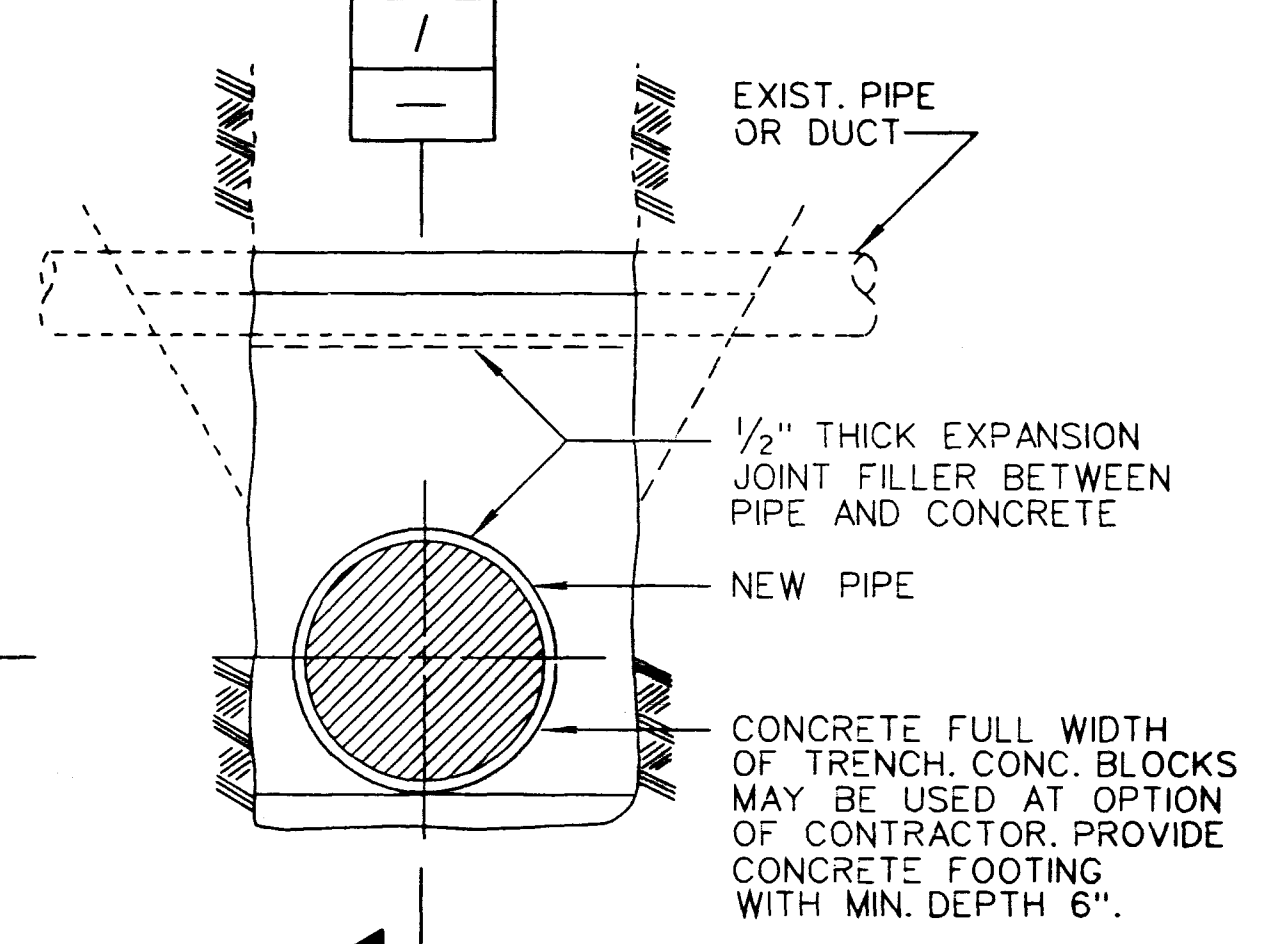
MONITOR WELL	BORE HOLE DIA.	CASING DIA.
1	8"	4"
2	8"	4"
3	8"	4"

- MONITORING WELL DESIGN REQUIREMENTS
1. THE SCREEN IN A GROUND WATER MONITORING WELL MUST EXTEND INTO THE GROUND WATER UNLESS HYDROGEOLOGIC CONDITIONS WARRANT OTHERWISE. THE SCREEN MUST EXTEND TO 12" BELOW GROUND SURFACE.
  2. THE FILTER PACK MUST BE GRAVEL WITH SIEVE ANALYSIS APPROPRIATE FOR THE SCREEN SLOT SIZE.
  3. THE WELL MUST BE CAPPED AT BOTH ENDS.
  4. THE TOP OF THE WELL MUST BE PROTECTED FROM DAMAGE AND VANDALISM. IF SUBJECT TO FLOODING THE TOP OF THE WELL SHOULD EXTEND A MINIMUM OF TWELVE (12) INCHES ABOVE THE GROUND SURFACE WITH AN APPROPRIATE COVER. IN ALL LOCATIONS A LOCKING DEVICE MUST BE PROVIDED.
  5. THERE SHALL BE A SEAL SURROUNDING THE WELL CASING TO PREVENT THE FLOW OF SURFACE WATER IN AND ALONG THE EDGE OF THE BORE HOLE. A BENTONITE PLUG OF 6" IN THICKNESS SHALL BE PLACED DIRECTLY ABOVE THE GRAVEL PACK. THE ANNULUS MUST BE SEALED FROM THE BENTONITE PLUG TO THE SURFACE WITH CEMENT AND BENTONITE MIXTURE.
  6. CASING MUST HAVE A MINIMUM INSIDE DIAMETER OF 4 INCHES.
  7. ALL MONITORING WELLS MUST BE DRILLED BY A WATER WELL DRILLER LICENSED IN THE STATE OF NEVADA. ALL MONITORING WELLS MUST CONFORM TO THE REGULATIONS OF THE STATE OF NEVADA DEPARTMENT OF CONSERVATION AND NATURAL RESOURCES, DIVISION OF WATER RESOURCES.

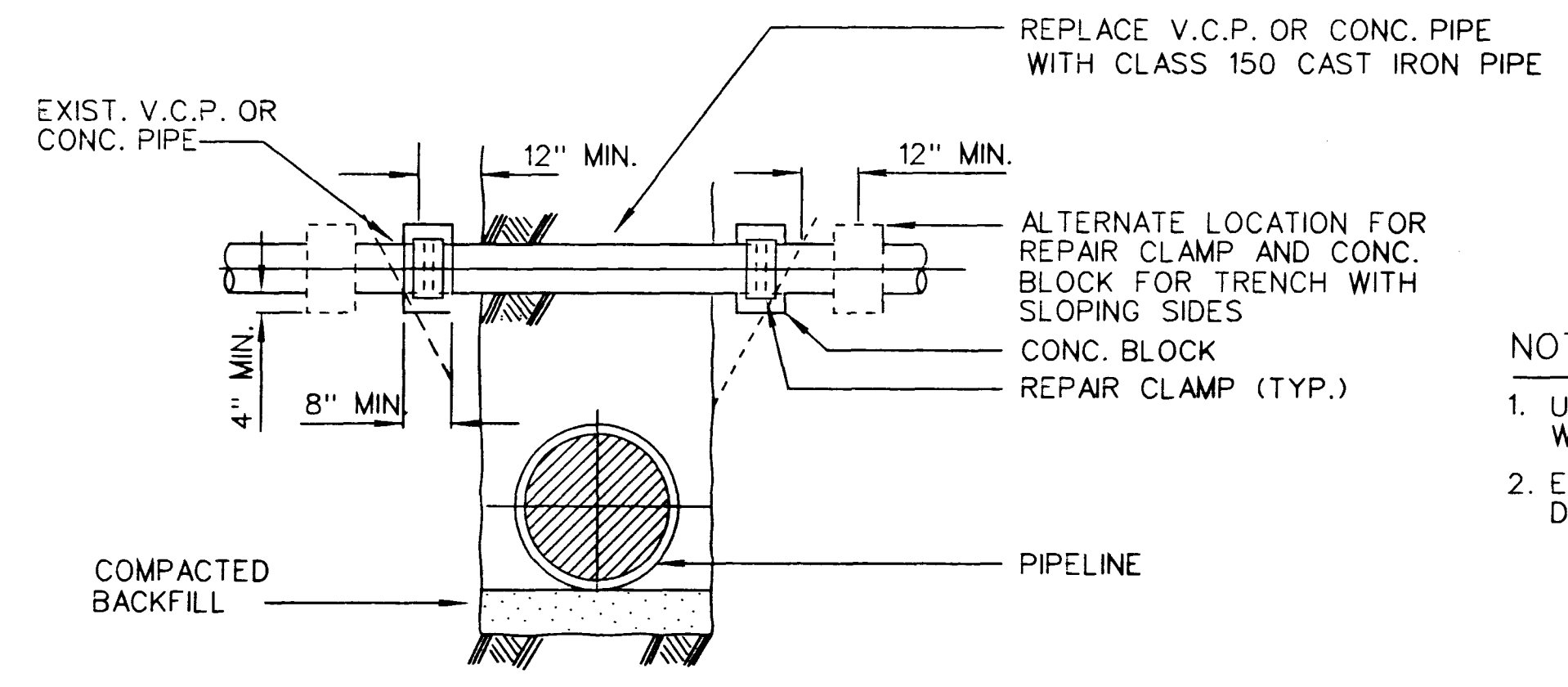
MONITORING WELL DETAIL A  
NO SCALE C-4 2E-1



SECTION 1



NOTE:  
BACKFILL TO BE BROUGHT UP UNIFORMLY ON BOTH SIDES OF CONCRETE SUPPORT.



HOUSE SEWER CONNECTION ACROSS PIPE TRENCH

UNDERGROUND UTILITY SUPPORT DETAILS  
NOT TO SCALE REV 090189 C-229

- NOTES:
1. UNDERGROUND UTILITY SUPPORTS ARE TO BE PROVIDED WHERE SHOWN ON PLAN OR PROFILE.
  2. EXISTING PIPE OR DUCT SHALL BE FIRMLY SUPPORTED DURING INSTALLATION OF NEW PIPE AND SUPPORT.

DATE/TIME 26-NOV-1997 10:35

JOB No. 1540.0131 FILE No. k:\civil\w\civil\plansheets\brzm09c03.dgn

REV	DATE	BY	DESCRIPTION
1	11/97	MGR	ADDED INFORMATION OFFSITE WELLS

SCALE:  
WARNING  
0 1/2 1  
IF THIS BAR DOES NOT MEASURE 1" THEN DRAWING IS NOT TO SCALE.

DESIGNED S. McCLELLAND  
DRAWN S. McCLELLAND  
CHECKED B. EMERSON

SUBMITTED  
PROJECT ENGINEER  
RECOMMENDED  
MONTGOMERY WATSON

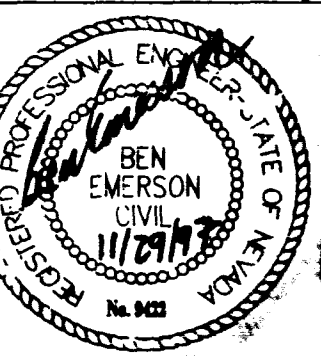


MONTGOMERY WATSON  
Las Vegas, Nevada

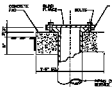
MONTGOMERY WATSON  
3014 WEST CHARLESTON BLVD  
LAS VEGAS, NV 89102-4444  
(702) 878-8010  
COPYRIGHT © 1998 BY MONTGOMERY WATSON  
ALL RIGHTS RESERVED

CITY OF LAS VEGAS  
BONANZA/MOJAVE WATER RESOURCE CENTER  
MISCELLANEOUS CIVIL DETAILS- 2  
107-V2677

DWG. GC-3  
107-V2677



Call before you Dig.  
1-800-277-2800



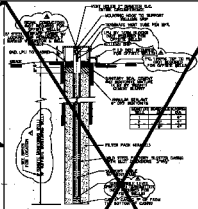
NOTE:  
 IN TRENCH, WEAR PROTECT FLANGE FROM  
 WITH BY 1/2" CAST IRON COVER AND TYPICAL  
 ALUMINUM TOLERANCE & DIM. SHALL BE 1/4"  
 & 1/8".

**PRESSURIZED SYSTEM CLEANOUT TO GRADE**  
 SEE 050000

**M-238**

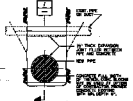
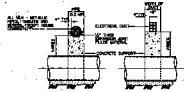


**BUMPER JOINT DETAIL**  
 NOT TO SCALE

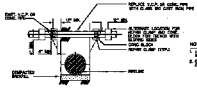


- WARNING: WELL BENCH AND COVER**
1. THE COVER & BENCH SHALL BE CONSTRUCTED AND MAINTAINED TO BE AT LEAST 18" ABOVE THE FLOOD CONTROL ELEVATION TO PREVENT FLOODING.
  2. THE COVER SHALL BE AT LEAST 18" ABOVE THE FLOOD CONTROL ELEVATION.
  3. THE WELL MUST BE CAPTED AT BOTH ENDS.
  4. THE TOP OF THE BENCH SHALL BE CONSTRUCTED TO BE AT LEAST 18" ABOVE THE FLOOD CONTROL ELEVATION.
  5. THE COVER SHALL BE CONSTRUCTED TO BE AT LEAST 18" ABOVE THE FLOOD CONTROL ELEVATION.
  6. CHAIN SHALL HAVE A SQUARE WIRE QUARTER OF A BENCH.
  7. THE COVER SHALL BE AT LEAST 18" ABOVE THE FLOOD CONTROL ELEVATION.

**MONITORING WELL DETAIL**  
 NOT TO SCALE



NOTE:  
 BENCH TO BE CONSTRUCTED UPWARDLY ON BOTH SIDES OF JOINTMENT JOINTMENT.



- NOTES**
1. UNDERGROUND UTILITY SUPPORTS ARE TO BE PROVIDED UNDER SIDING OF PLAN OR PROFILE.
  2. CHAIN LINE OR SIGHT LINE SHALL BE FINELY SUPPORTED FROM WITHIN TRENCH AT 10' TO 20' INTERVALS.

**UNDERGROUND UTILITY SUPPORT DETAILS**  
 NOT TO SCALE

