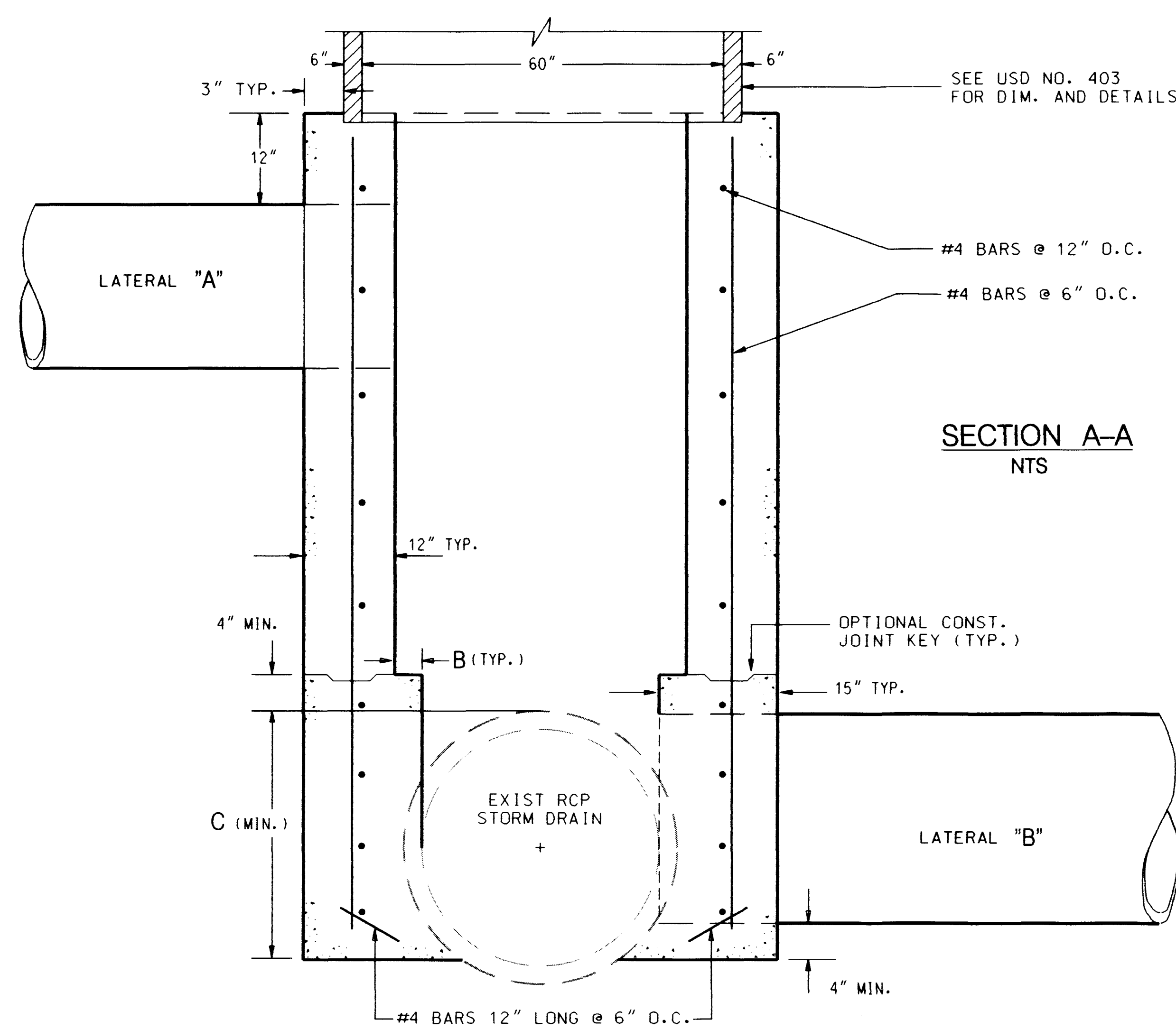


PLAN VIEW
SPECIAL JUNCTION BOX DETAIL
NTS

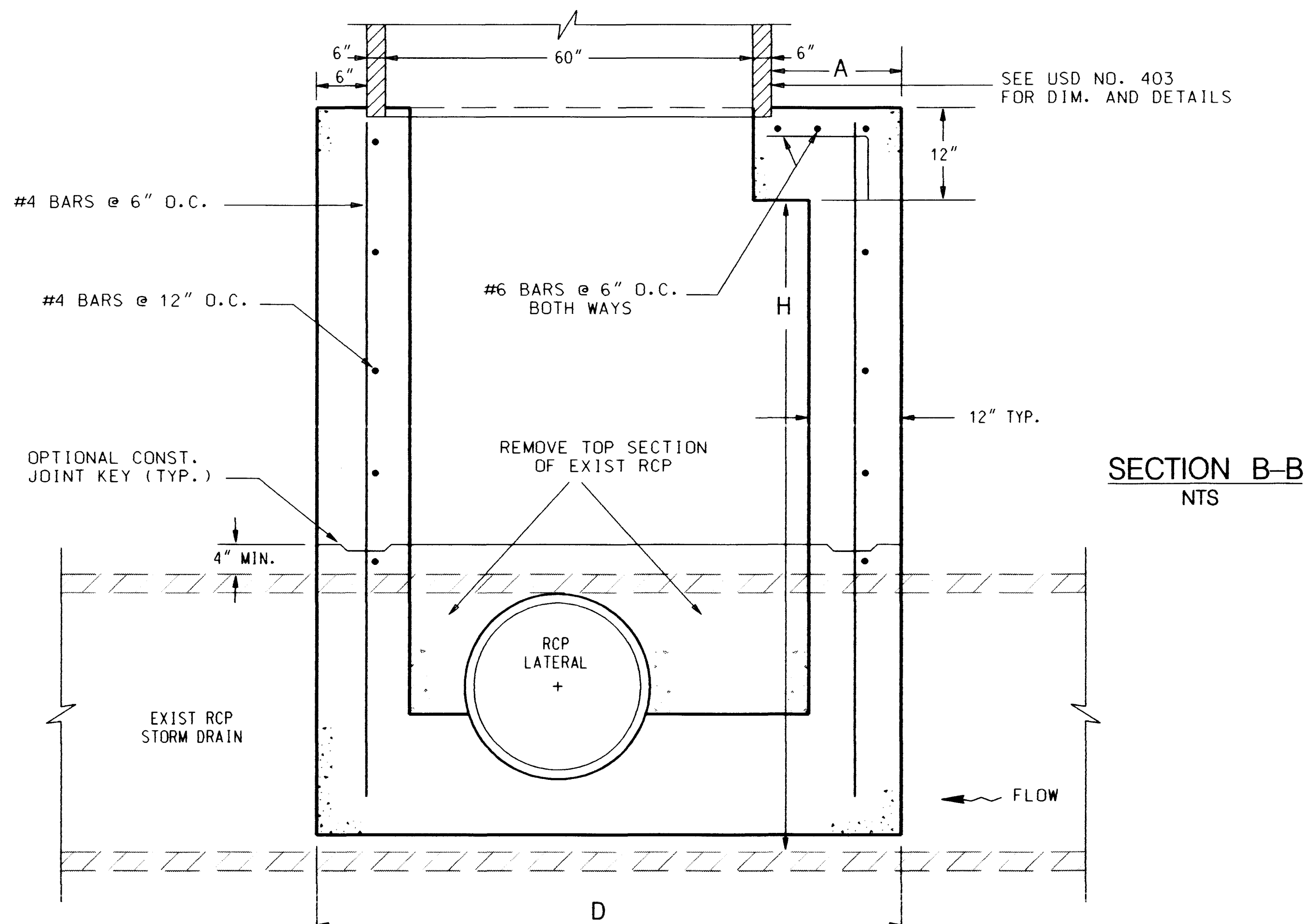
NOTES

1. INVERT ELEVATIONS OF EXIST STORM DRAINS AND PROPOSED LATERALS SHOWN ON STORM DRAIN PLAN & PROFILE SHEETS.
2. INSTALL STD. MANHOLE STEPS IN ACCORDANCE WITH USD NO. 410.
3. SOME DIMENSIONS AND OTHER INFORMATION SHOWN IN TABLE ON THIS SHEET.

SPECIAL JUNCTION BOX DETAIL	LOCATION
SIZE EXIST SD	48" RCP
LATERAL "A"	42" RCP
LATERAL "B"	30" RCP
DIM. A	24"
DIM. B	3"
DIM. C	4'-4"
DIM. D	8.5'
DIM. H	12.9'



SECTION A-A
NTS



SECTION B-B
NTS

DATE	
REVISIONS	
DESIGN BY: S. JACKSON	
DATE: 06-19-97	
SCALE (V):	
SCALE (H):	
	4305 S. INDUSTRIAL RD. SUITE 185 LAS VEGAS, NV 89103 TEL: 702-798-7314 FAX: 702-798-7451
DEPARTMENT OF PUBLIC WORKS PROJECT: MOJAVE RD. IMPROVEMENTS SHEET: MOJAVE RD. SPECIAL JUNCTION BOX DETAILS. STA 13+47.98	
DRAWING NO. 24	32
107-V2677	

