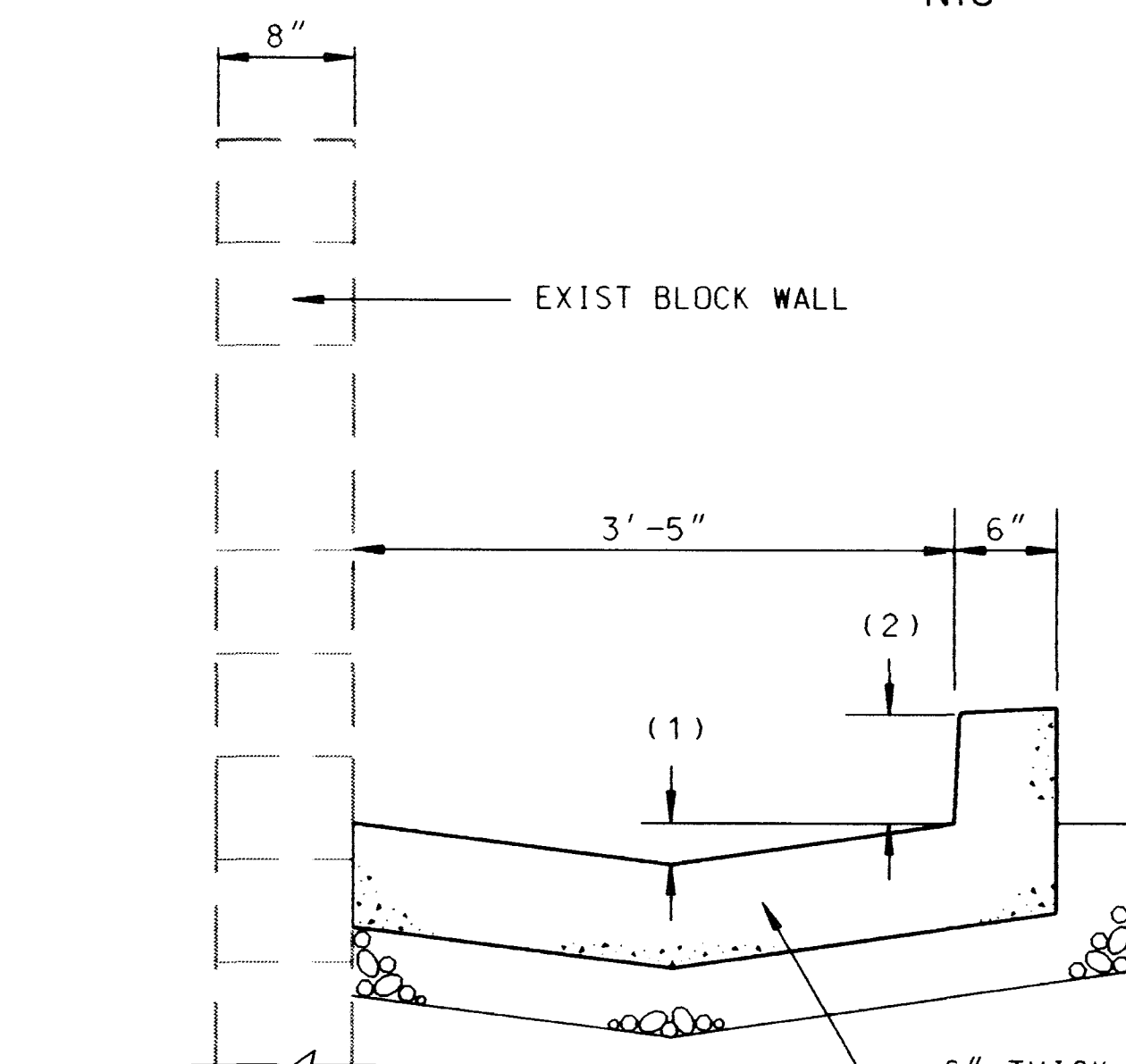


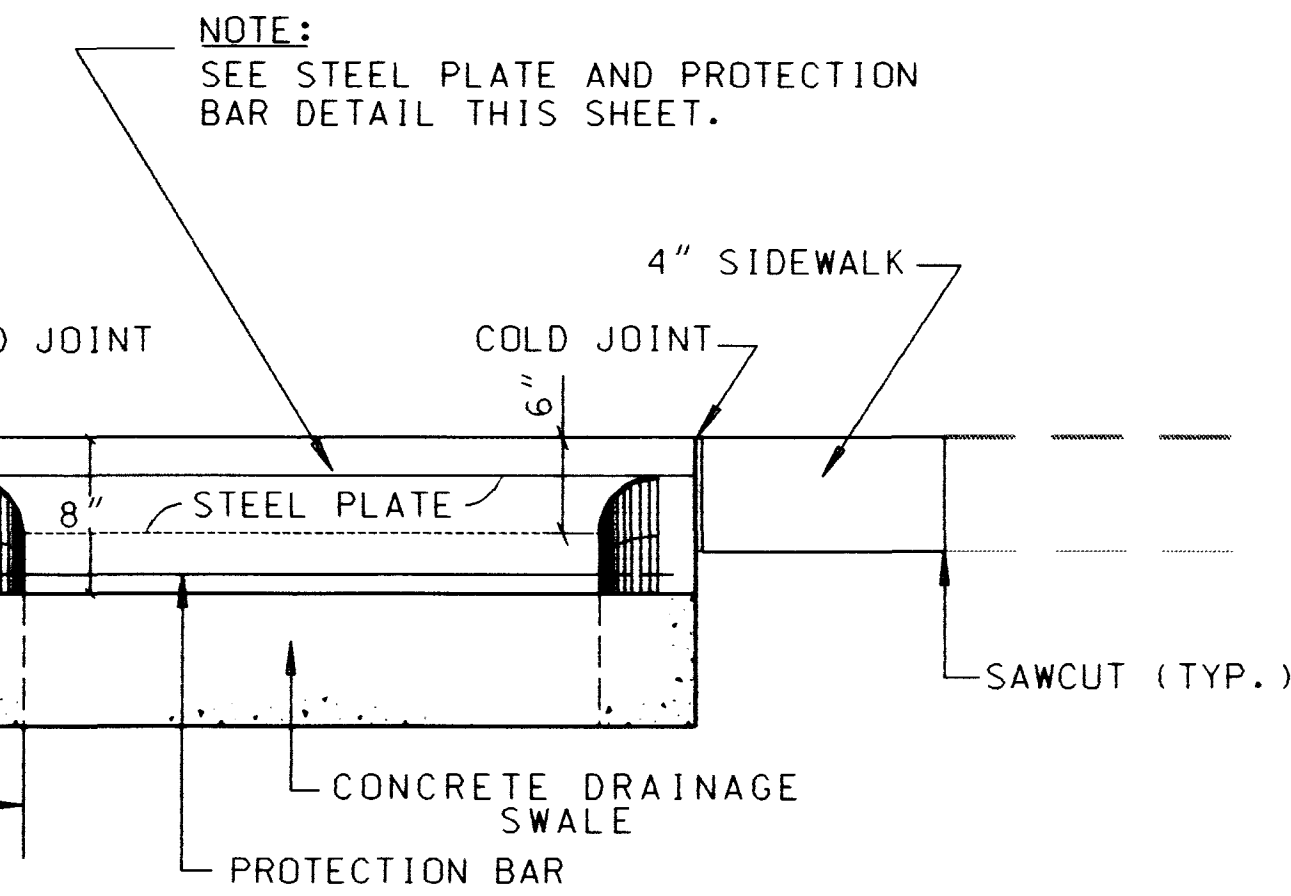
PLAN VIEW
SPECIAL DROP INLET DETAIL
NTS



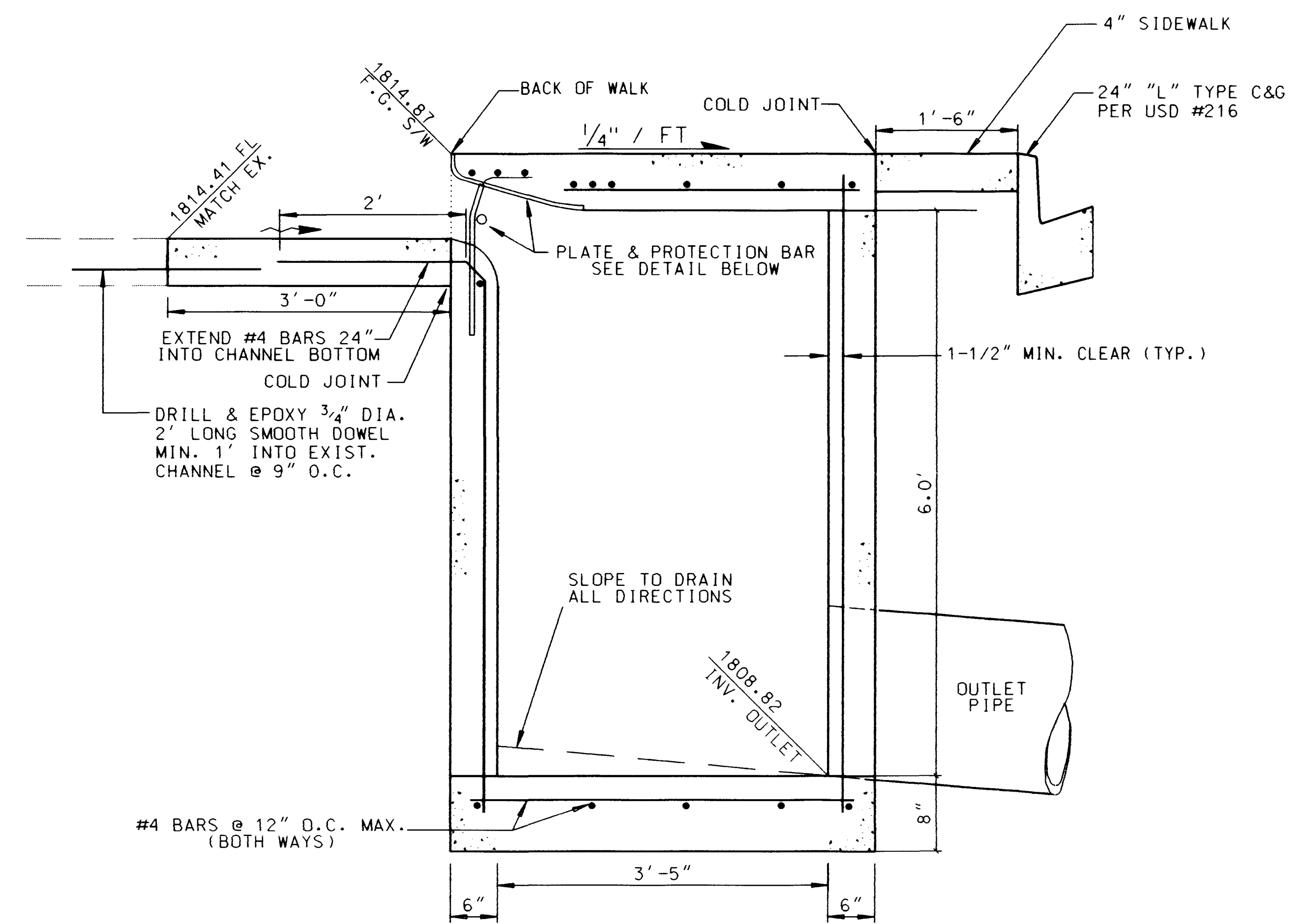
SECTION B-B
CONC CHANNEL
NTS

- (1) VARIES FROM 1.5" WHERE MATCHING EXIST CHANNEL TO 0" AT INLET OPENING
- (2) VARIES FROM 6" WHERE MATCHING EXIST CHANNEL TO 8.5" AT INLET OPENING

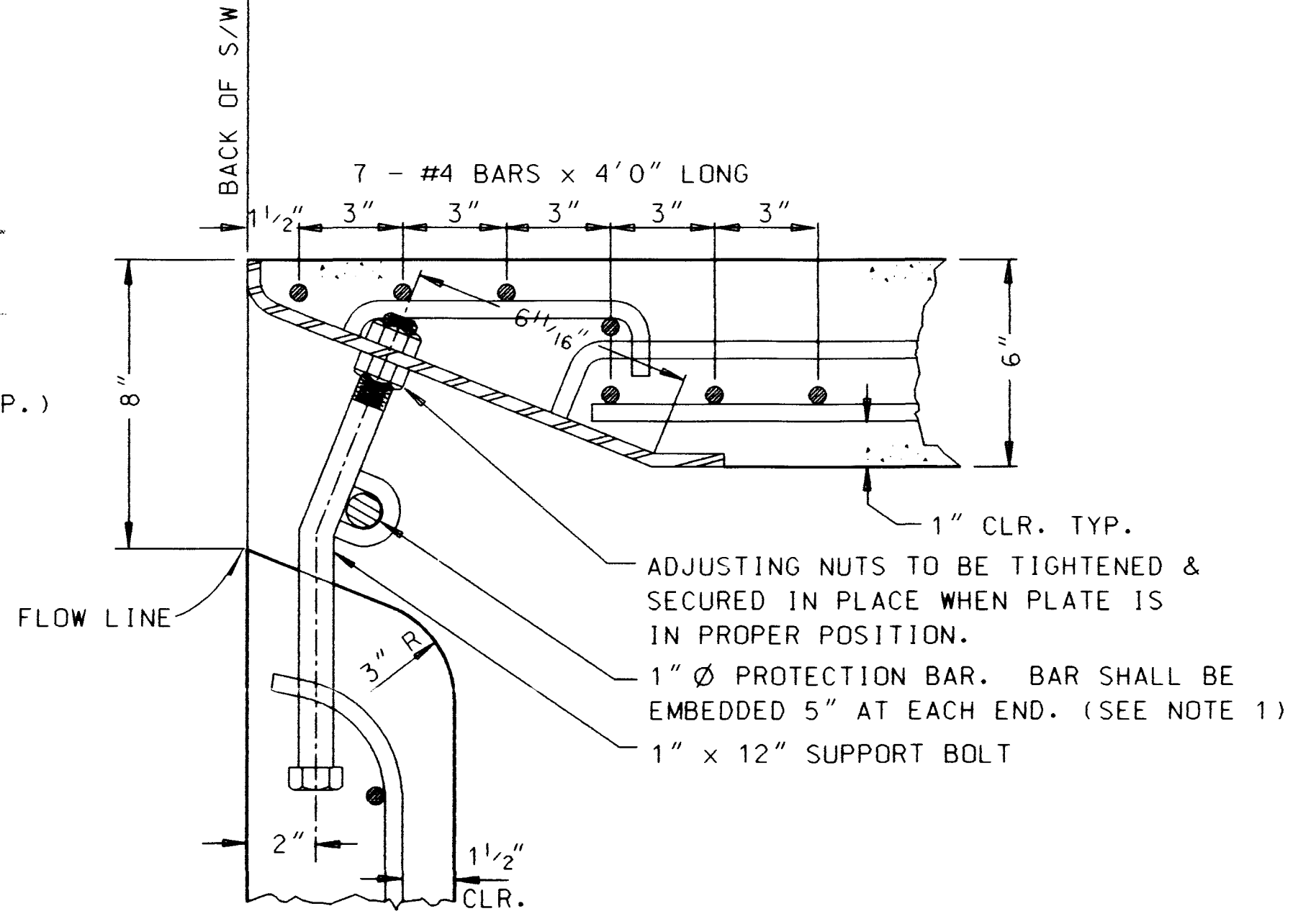
- SHEET NOTES:**
1. PAYMENT FOR NEW C&G, SIDEWALK, AND CONC. CHANNEL TO BE INCLUDED AS PART OF SPECIAL DI BID ITEM.
 2. OUTLET PIPE SHALL BE TRIMMED FLUSH WITH INSIDE FACE OF INLET.



FRONT VIEW
SPECIAL DROP INLET
NTS



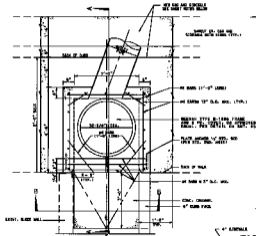
SECTION A-A
NTS



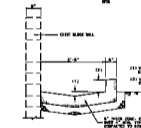
- PLATE & PROTECTION BAR NOTES:**
1. PROTECTION BAR SHALL BE PLACED PARALLEL TO THE STEEL FACE PLATE.
 2. SUPPORT BOLTS SHALL BE EQUALLY SPACED AT NOT MORE THAN 2'-0" O.C. AND NOT LESS THAN 1'-6" O.C.
 3. ALL EXPOSED METAL PARTS SHALL BE GALVANIZED AND GALVANIZING DAMAGED BY FABRICATION OR INSTALLATION SHALL RECEIVE TWO COATS OF ALUMINUM PAINT (GALVONOX OR EQUAL).
 4. FOR STEEL PLATED ANCHORAGE, SEE USD DRAWING NO. 418.
 5. (7) #4 BARS x 4'-0" SHALL BE IN ADDITION TO REINFORCING STEEL PER SPECIAL DROP INLET DETAILS THIS SHEET.

STEEL PLATE & PROTECTION BAR DETAIL
NTS

DATE		REVISIONS		DESIGN BY: S. JACKSON	
DATE:	06-19-91	SCALE (V):	SCALE (H):	DATE:	06-19-91
DEPARTMENT OF PUBLIC WORKS PROJECT: MOJAVE RD. IMPROVEMENTS SHEET: MOJAVE RD. SPECIAL DROP INLET DETAILS, STA. 23+14					
DRAWING NO. 107-V2677					22
					32



PLAN VIEW
SQUARE DROP SILET DETAIL
MS

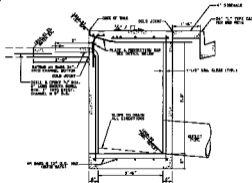


SECTION B-B
CONC. CHANNEL
MS

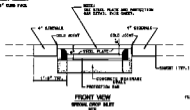
- (1) FINISH FROM 1/2" WIDE OUTSIDE EDGE CHANNEL TO 3" AT SILET OPENING
- (2) FINISH FROM 4" WIDE INSIDE EDGE CHANNEL TO 1/2" AT SILET OPENING

NOTE:

1. PAYMENT FOR NEW SILET, CHANNEL, AND CONC. CHANNEL TO BE INCLUDED AS PART OF SILET AT BID TIME.
2. SILET PIPE SHALL BE TRIMMED FLUSH WITH INSIDE FACE OF SILET.



SECTION A-A
MS



FRONT VIEW
SQUARE DROP SILET
MS

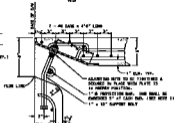


PLATE & PROTECTION BAR DETAIL

1. PROTECTION BAR SHALL BE FLARED TANGENTIAL TO THE STEEL FACE PLATE.
2. SUPPORT SILET SHALL BE SURELY BRACED AT NOT MORE THAN 7'-0" O.C. AND NOT LESS THAN 1'-0" O.C.
3. ALL EXPOSED METAL SHALL BE GALVANIZED AND GALVANIZING GUARANTEED BY FABRICATOR OR INSTALLATION SHALL EXCEED THE COSTS OF ALL OTHERS FIRST FOLLOWING BY LOCAL.
4. FOR STEEL PLATE JOINTS, USE 100 GRADE MS. ANG.
5. 1/2" AN SILET & 4" AN SHALL BE IN ADDITION TO REINFORCING STEEL FOR SQUARE DROP SILET DETAILS THIS SHEET.

STEEL PLATE & PROTECTION BAR DETAIL
MS

DEPARTMENT OF PUBLIC WORKS
DIVISION OF STREETS AND HIGHWAYS
SHEET NO. 100-1000
PROJECT NO. 100-1000
DATE: 10/1/50

INK CENTRAL
100-1000

DEPARTMENT OF PUBLIC WORKS
DIVISION OF STREETS AND HIGHWAYS
SHEET NO. 100-1000
PROJECT NO. 100-1000
DATE: 10/1/50