

18" PIPE INSERTION

STA 55+80.25
SCALE: 1" = 1'-0"

1
22

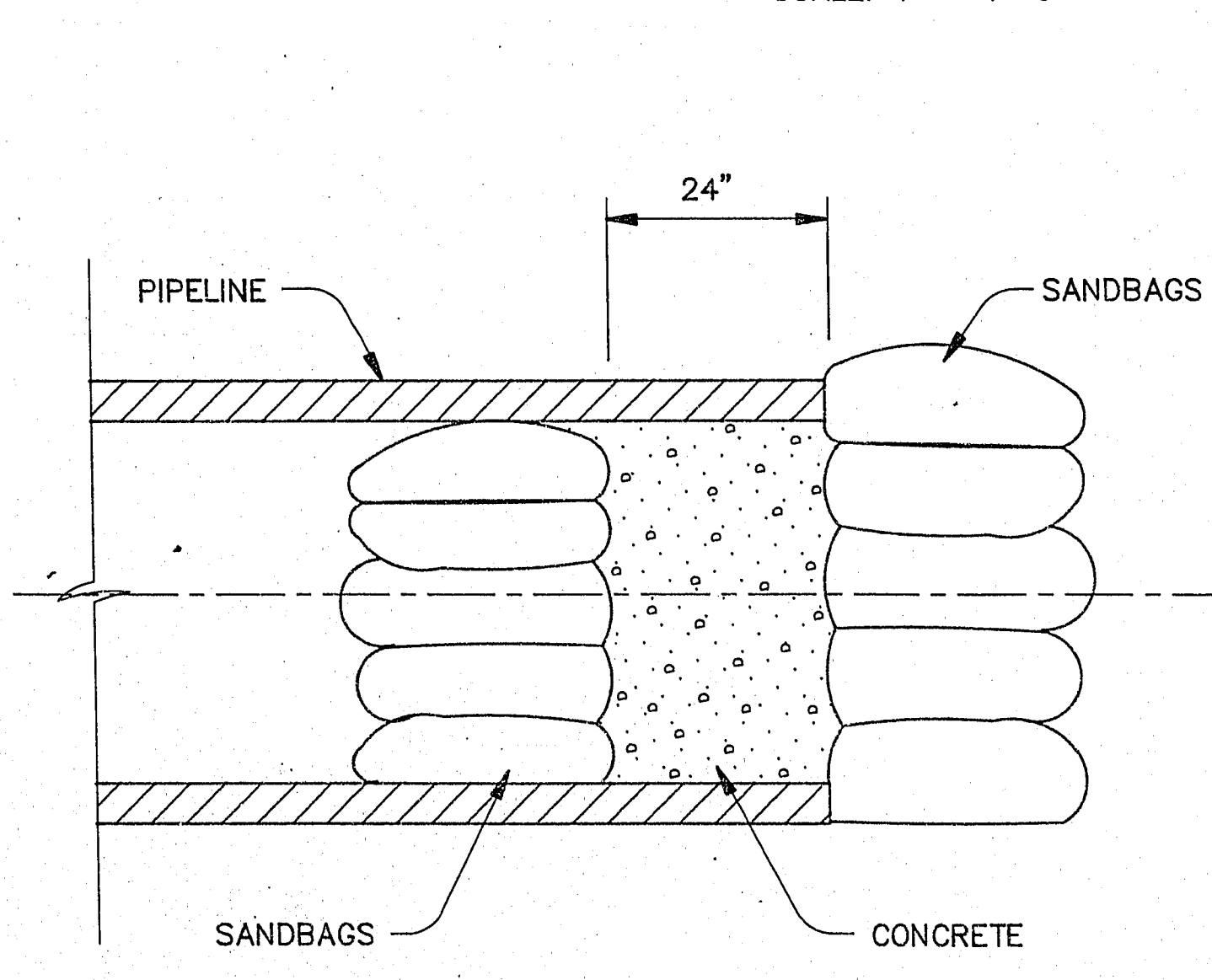
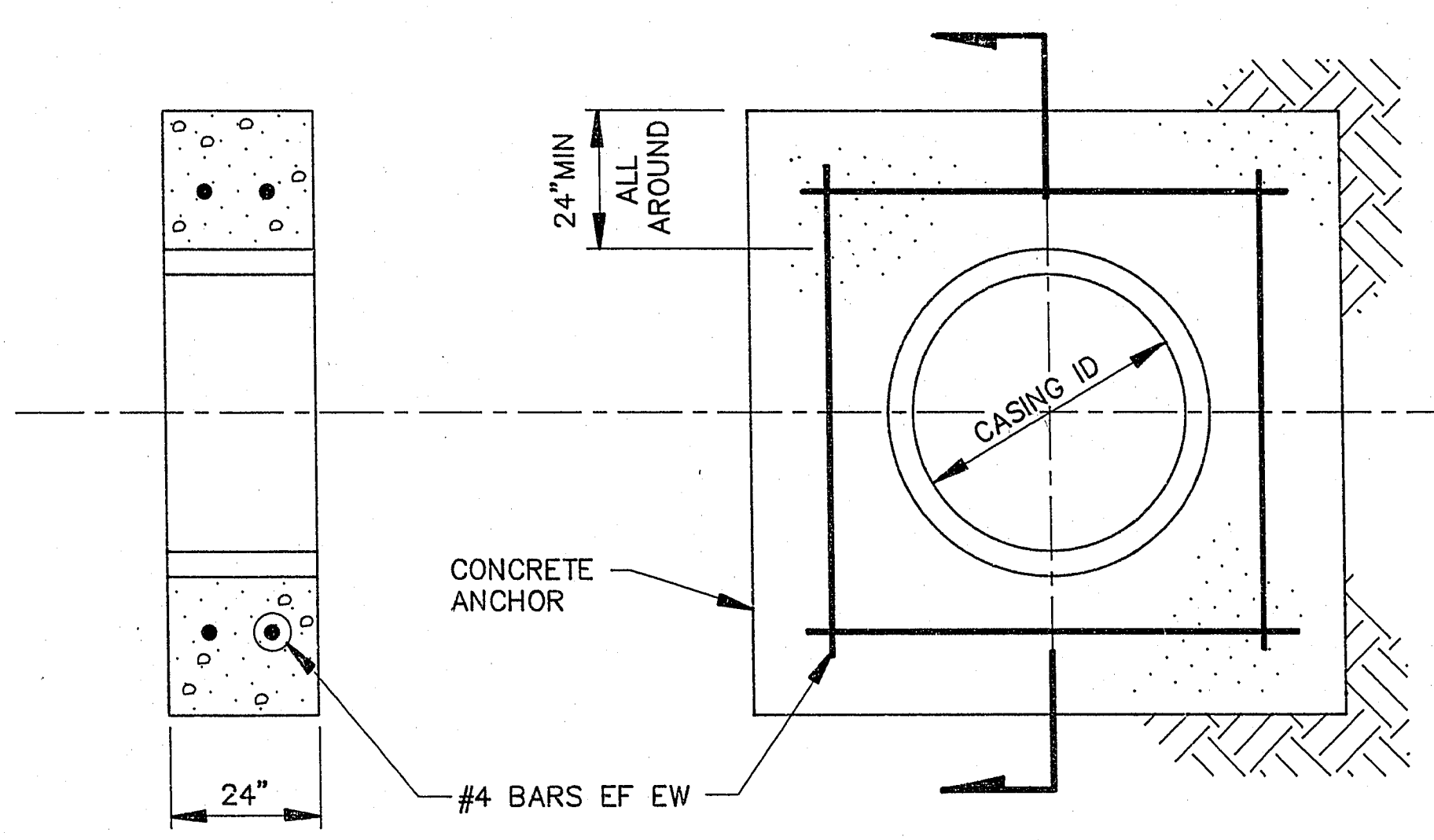
SCHEDULE

STATION	SHT NO.	CASING TYPE
55+80.25	22	30" I.D. RCP OR STEEL
61+27.94	5	48" I.D. RCP OR STEEL

CASING ANCHOR

NOT TO SCALE

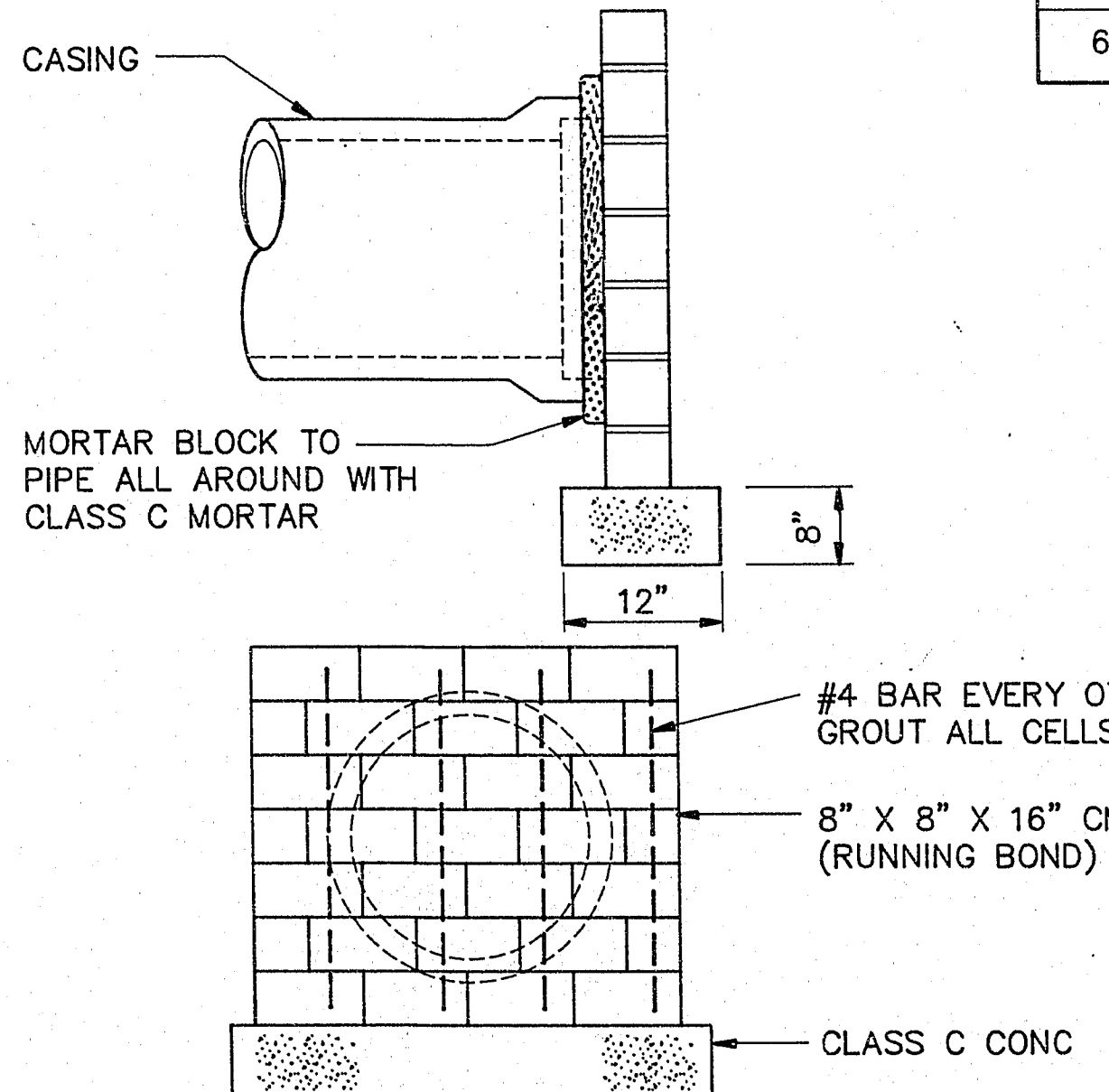
2
—



PIPE PLUG DETAIL

NOT TO SCALE

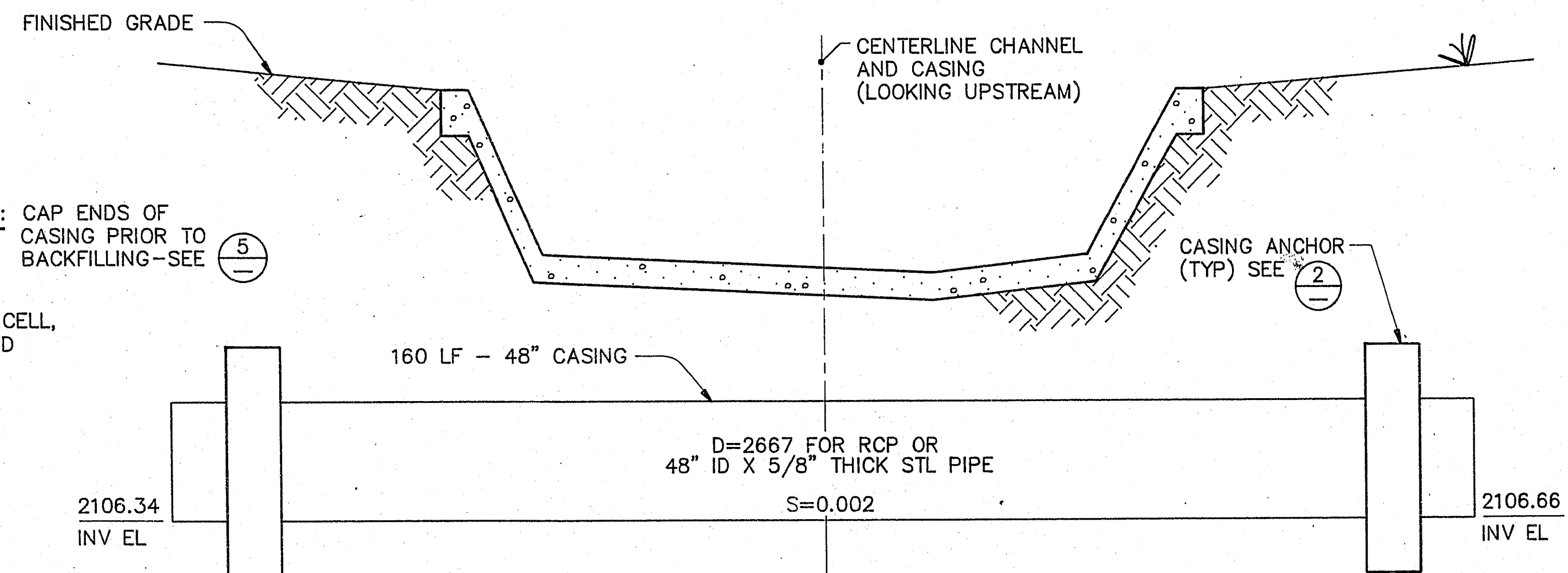
4
TYP



CAP DETAIL

NOT TO SCALE

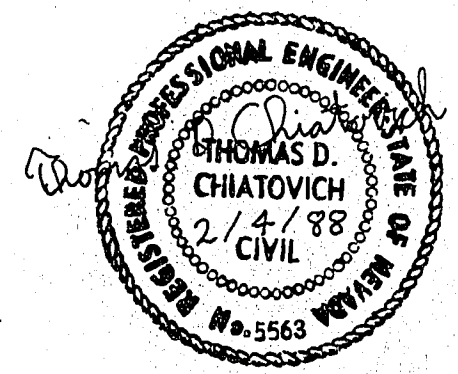
5
TYP



48" CASING

STA 61+27.94
NOT TO SCALE

3
5



Filename: MDBDET1

DESIGNED J.P.J.	<i>Tom Chiatovich</i> 5563 2/1/88 PROJECT MANAGER CERTIFICATE NO. DATE	B Boyle Engineering Corporation consulting engineers 1785 EAST SAHARA AVENUE, SUITE 300 LAS VEGAS, NEVADA 89104 TELEPHONE (702) 731-5511	AVA ALCA ENGINEERING & SURVEYING, INC. CIVIL ENGINEERING & LAND SURV. 520 S. VALLEY VIEW BLVD., LAS VEGAS, NEVADA 89107-4411	CITY OF LAS VEGAS	MEADOWS DETENTION BASIN	DRAWING NO. 731-45B-1-A
DRAWN J.A.M.	PROJECT ENGINEER CERTIFICATE NO. DATE				CASING DETAILS	SHEET NO. 29 OF 29
CHECKED T.D.C.						