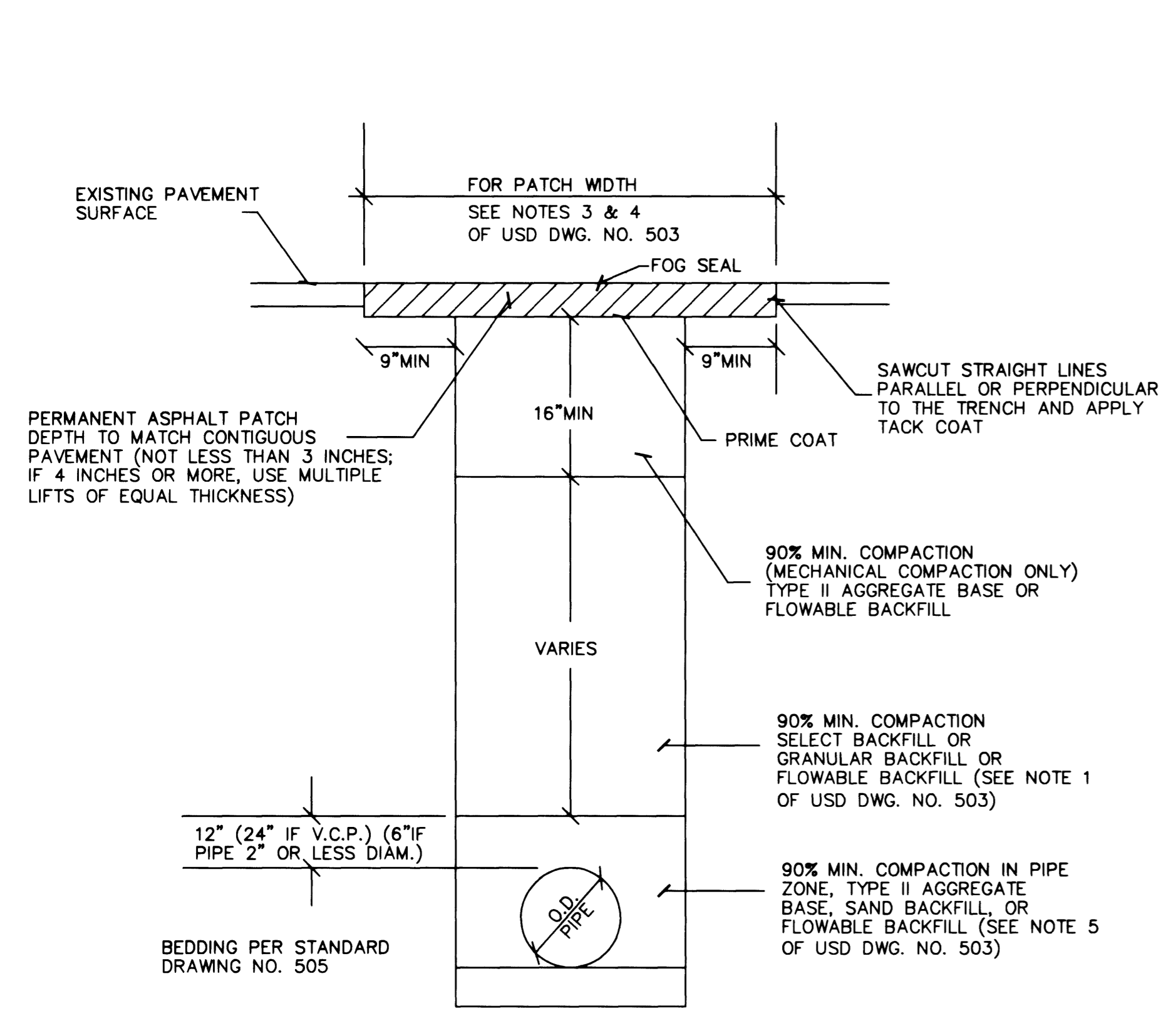
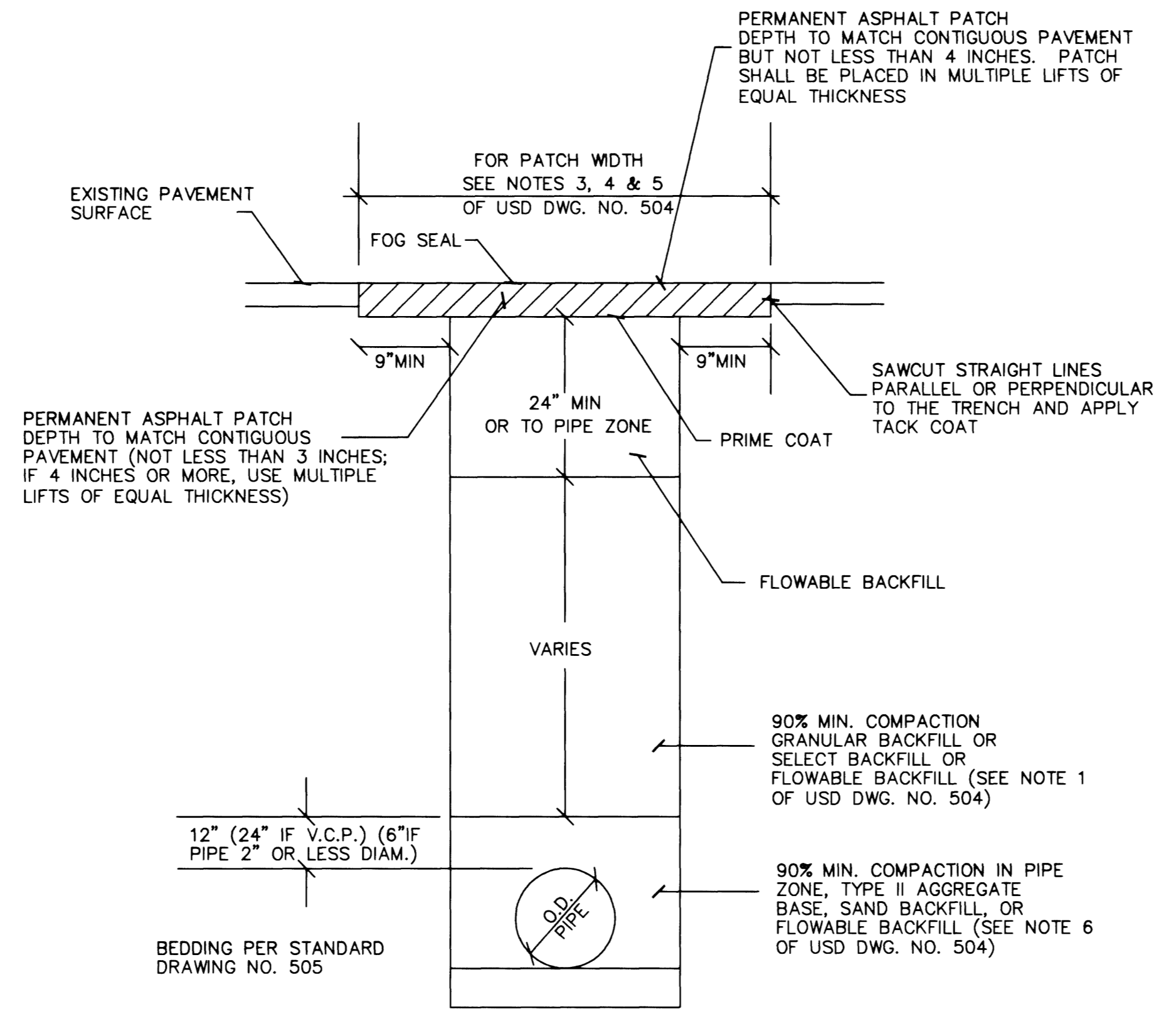


DRAWER E. SWIFTER	5/16/01
CHECKED BY R. CUMMOCK	5/16/01
PLANNER	DATE
<input type="checkbox"/> ASBESTOS WORK IS REQUIRED	DATE
<input type="checkbox"/> NO ASBESTOS WORK REQUIRED	DATE
ANHERA REVIEW	DATE
CODE COMPLIANCE	DATE
REBAR PLANNING/ARCH	DATE
TELECOM/DATA	DATE
SITE ADMINISTRATOR	DATE
PROJECT MANAGER	DATE
FINAL REVIEW	DATE

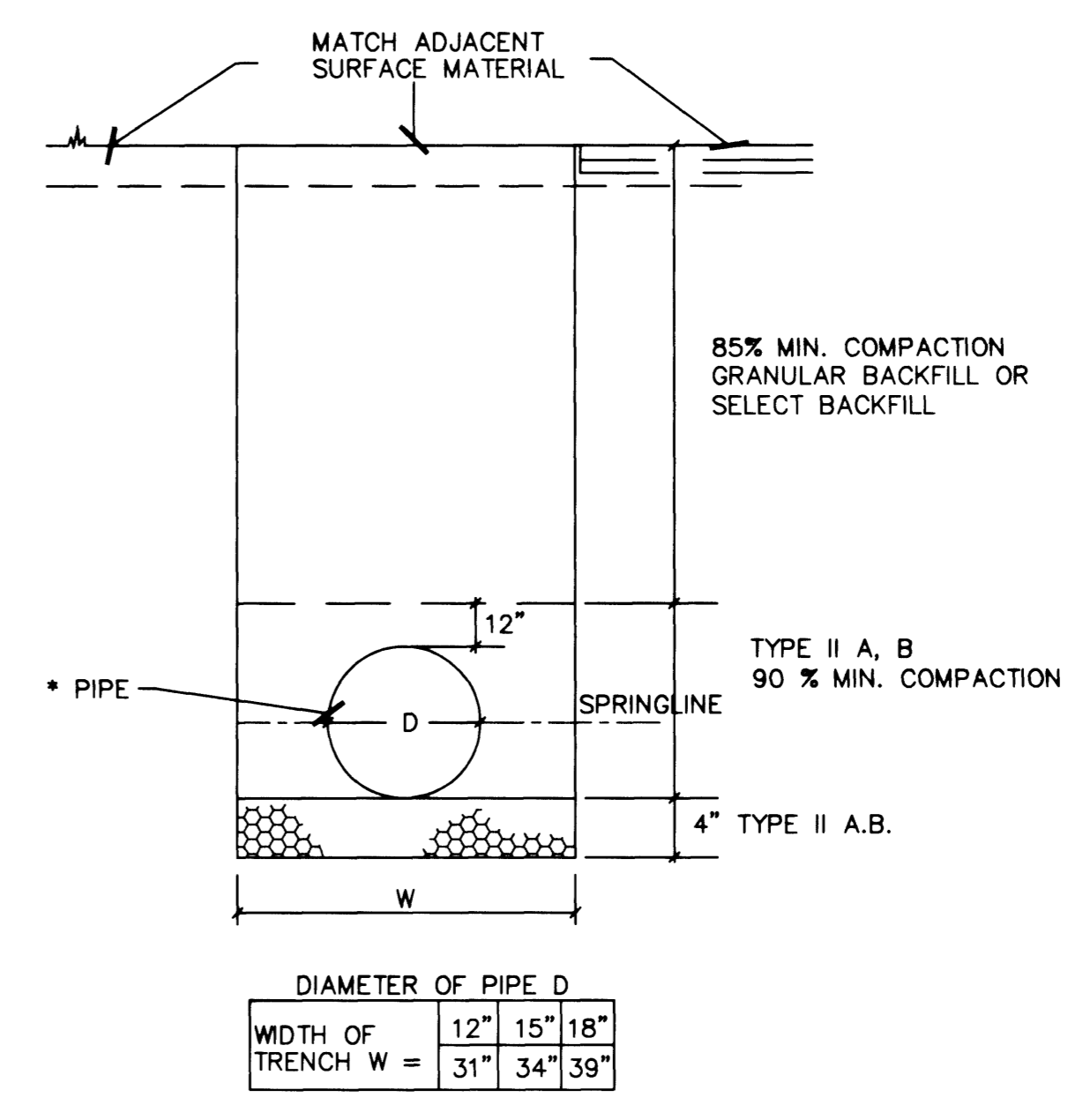
PROJECT NUMBER  
 K04963  
 DO NOT SCALE DRAWINGS  
 SHEET **9** OF **9**  
 715-138



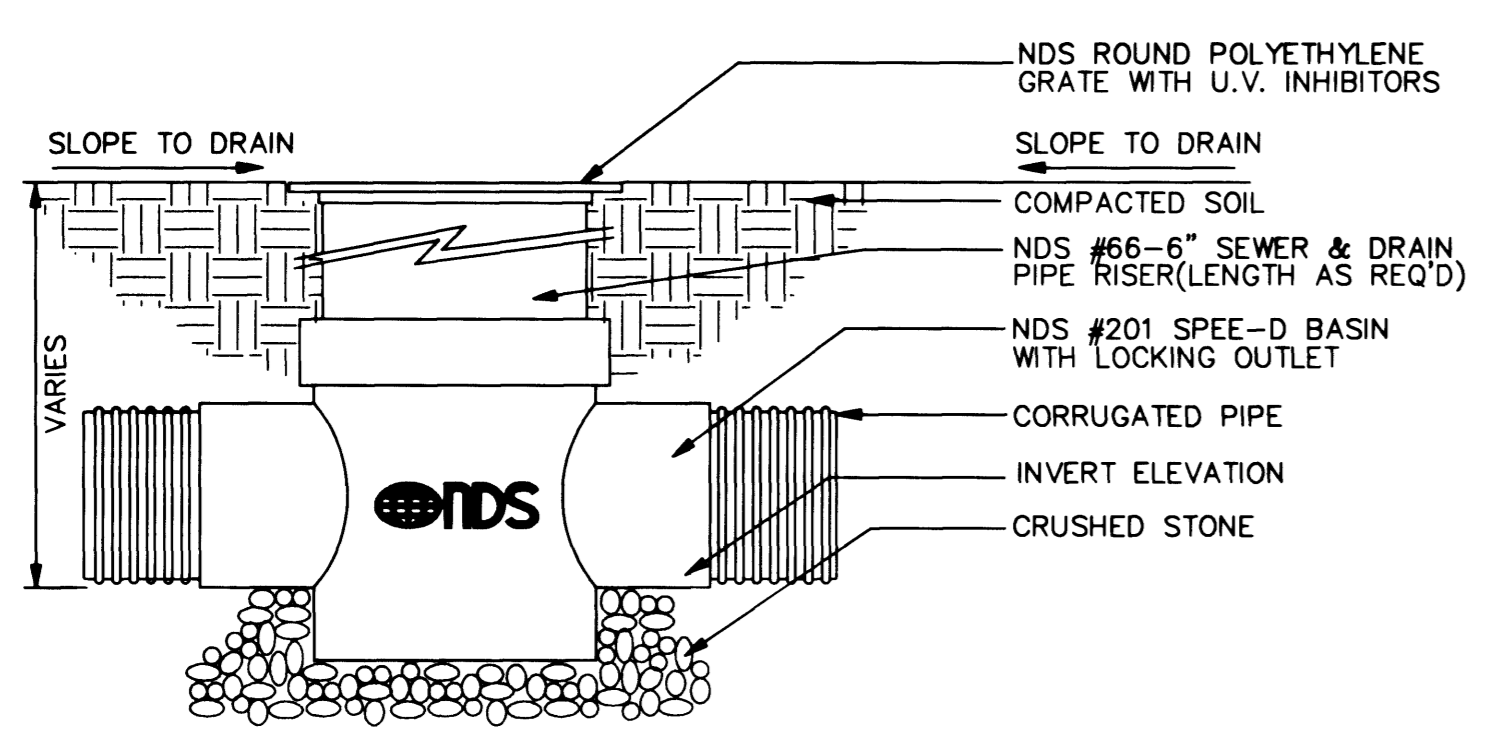
**TRENCH BACKFILL PAVED AREAS**  
 (OPHIR DRIVE WITH 60' OR LESS R/W)  
 PER USD DWG. NO. 503 NTS



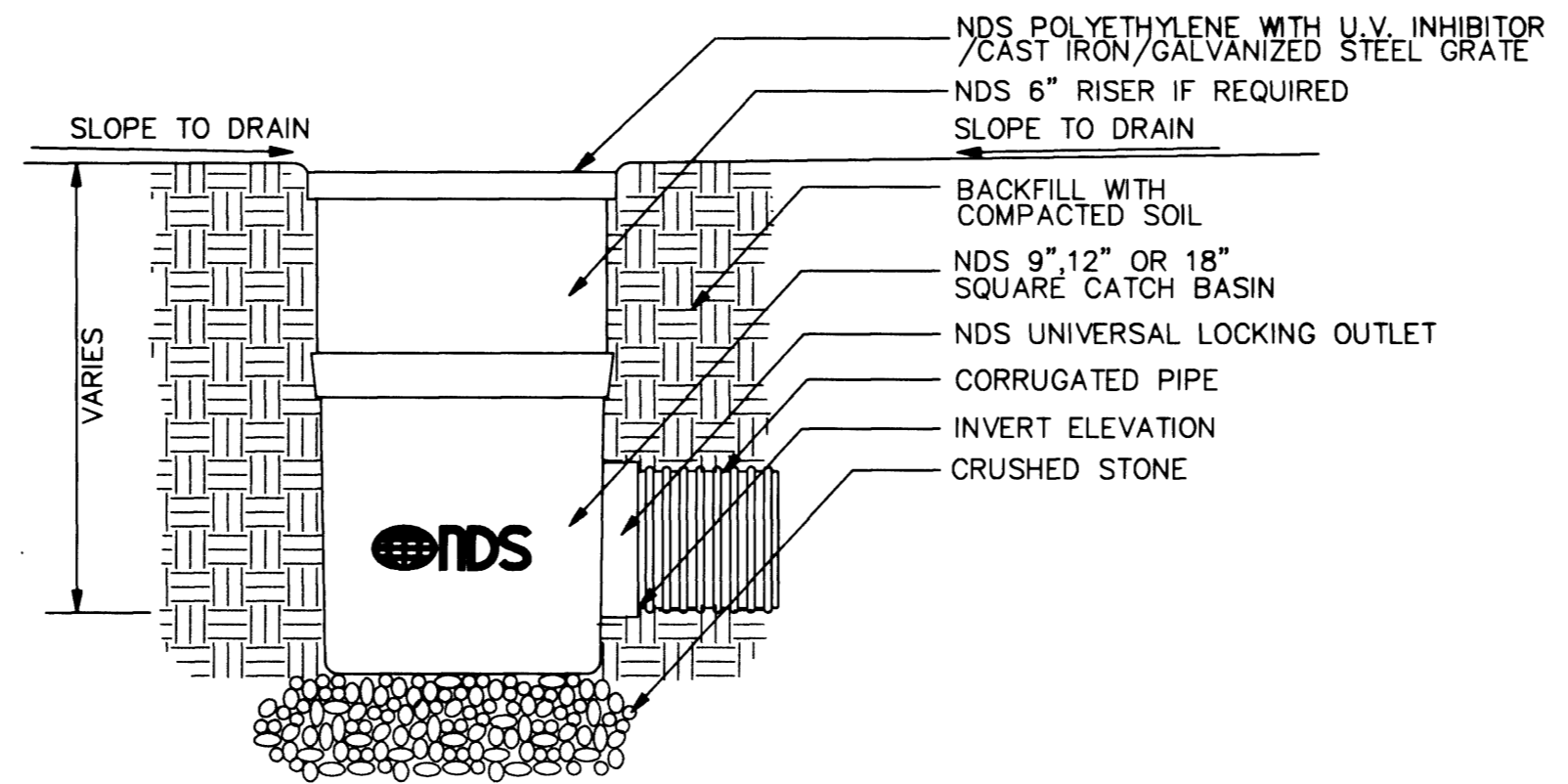
**TRENCH BACKFILL WITH FLOWABLE BACKFILL PAVED AREAS**  
 (WASHINGTON BOULEVARD GRATER THAN 60' R/W)  
 PER USD DWG. NO. 504 NTS



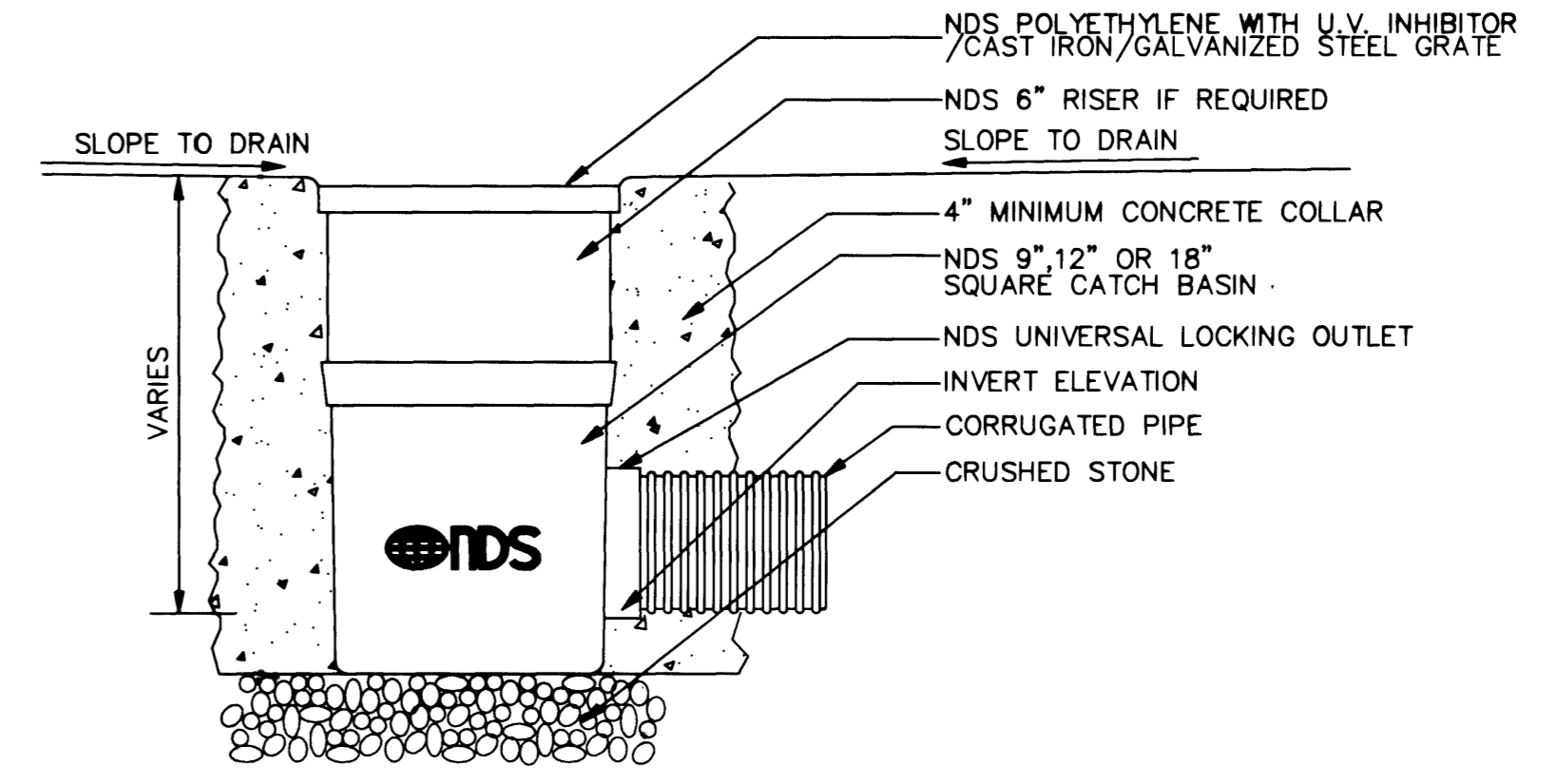
**ON SCHOOL GROUNDS TYPICAL TRENCH DETAIL**  
 PER USD DWG. NO. 502 NTS



**NDS ROUND GRATE WITH NDS SPEE-D BASIN**  
 NOT TO SCALE



**NDS SQUARE GRATE WITH NDS SQUARE CATCH BASIN**  
 NOT TO SCALE (LANDSCAPE APPLICATION)



**NDS SQUARE GRATE WITH NDS CATCH BASIN**  
 NOT TO SCALE (CONCRETE APPLICATION)