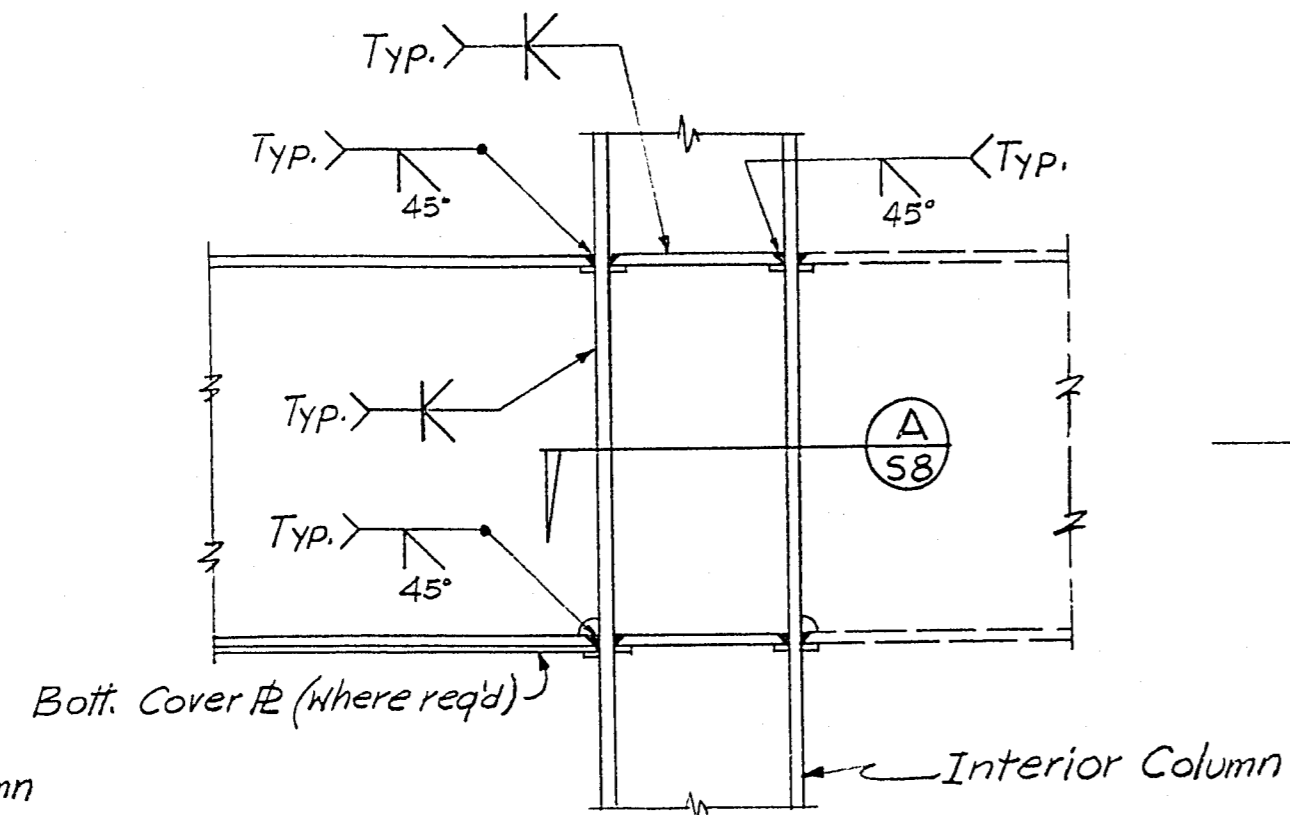
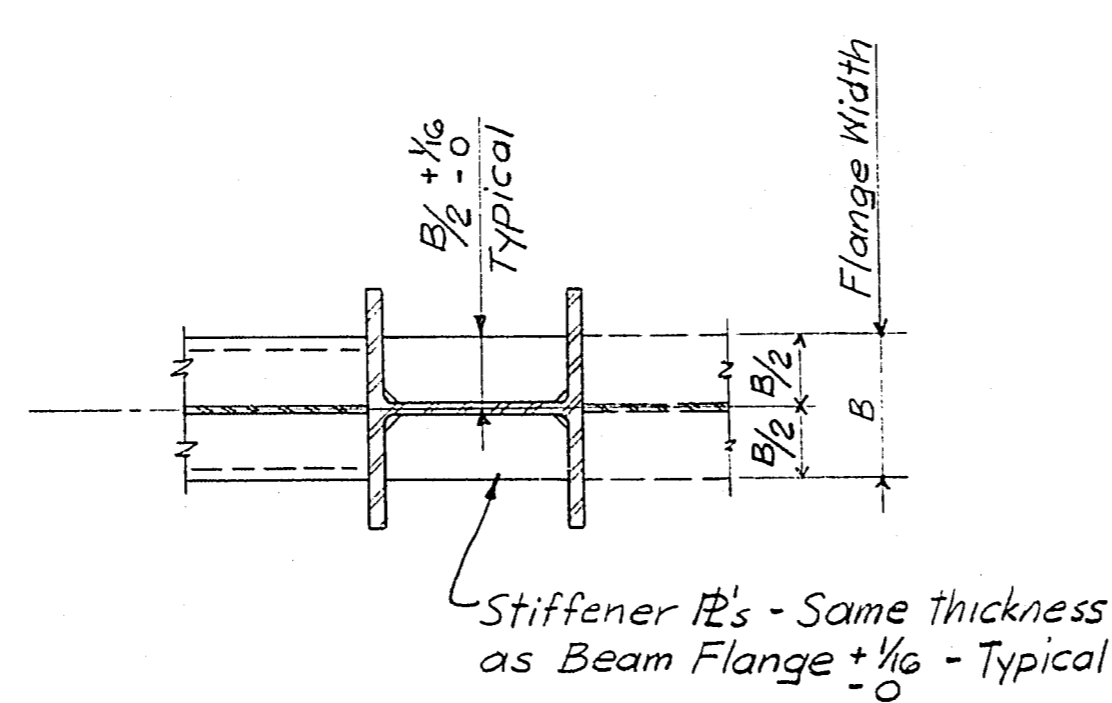


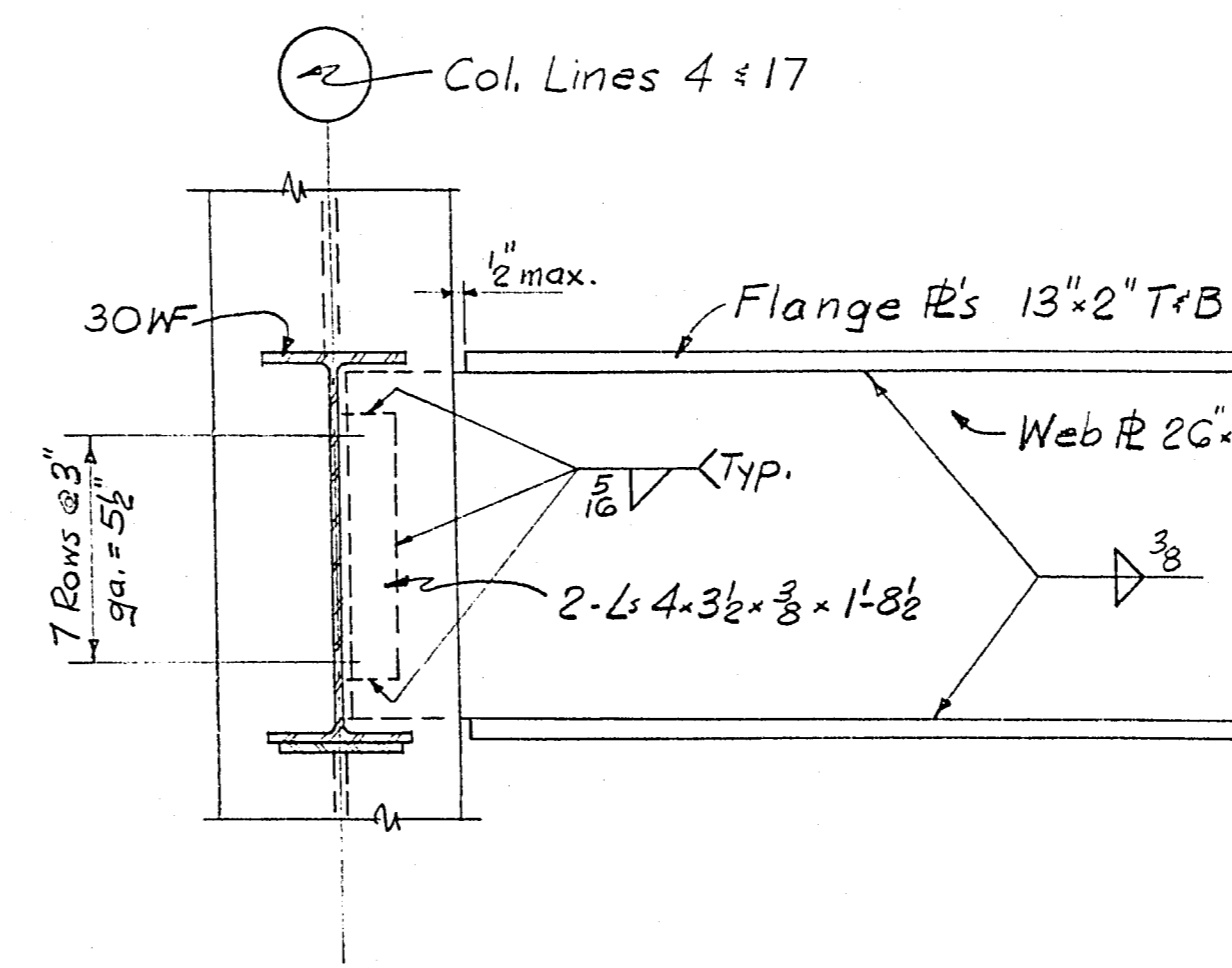
DETAIL 1 S8



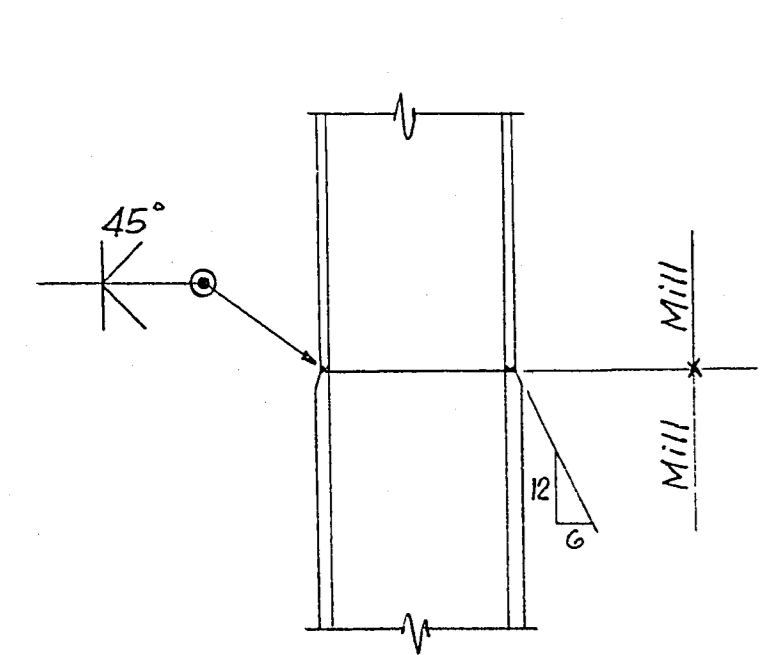
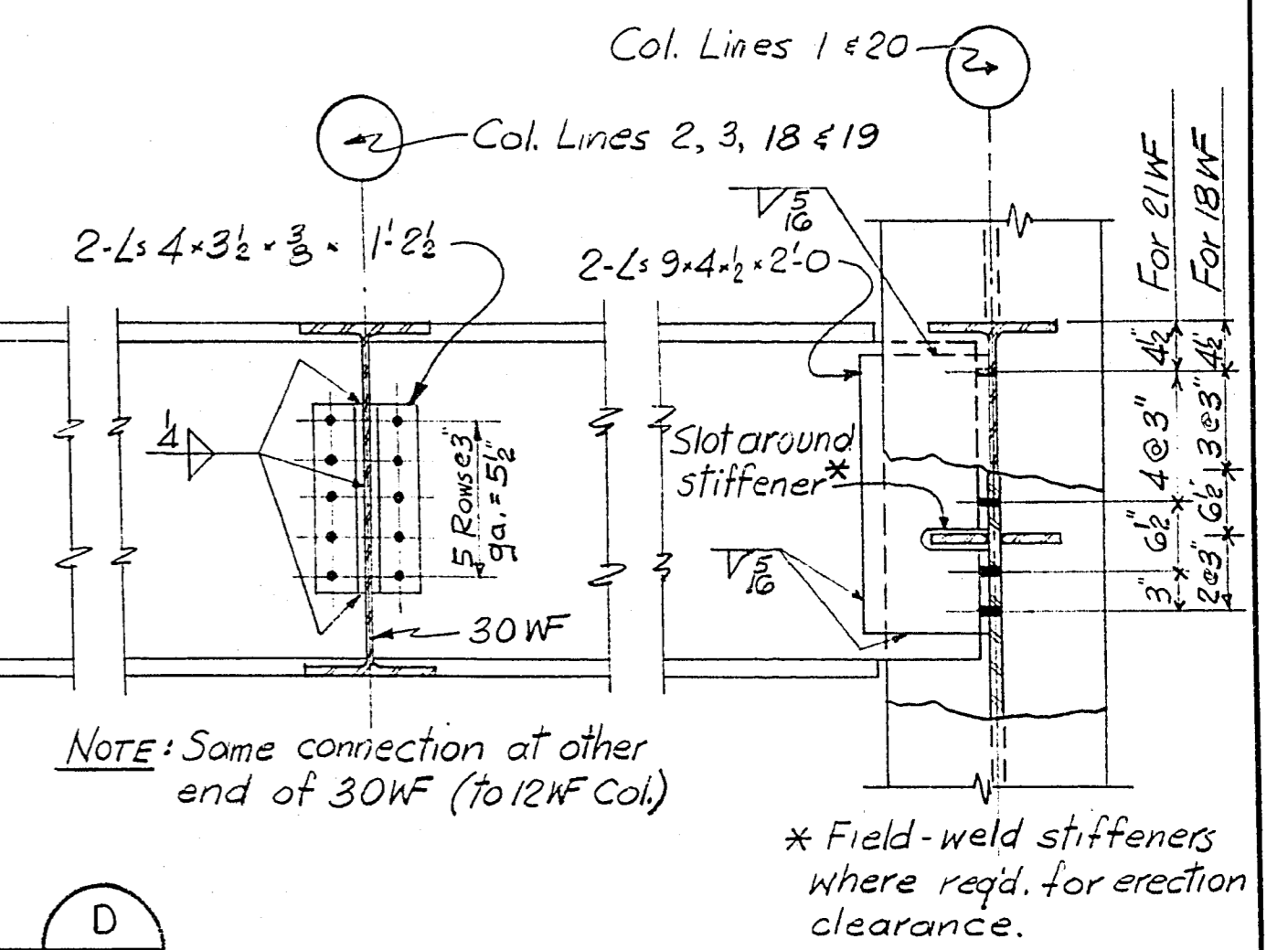
DETAIL 2 S8



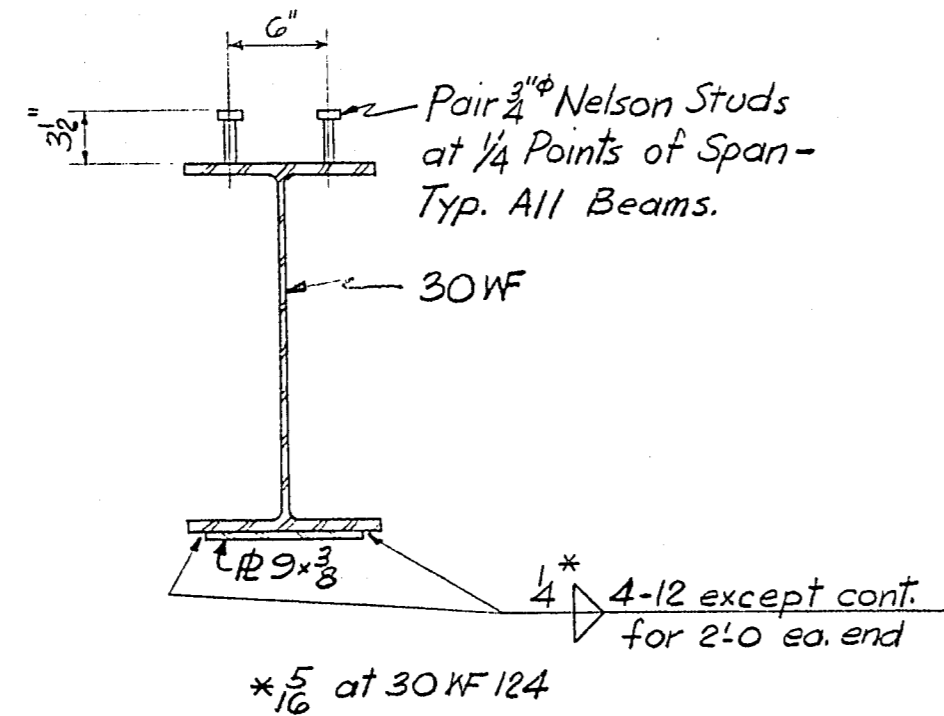
SECTION A S8



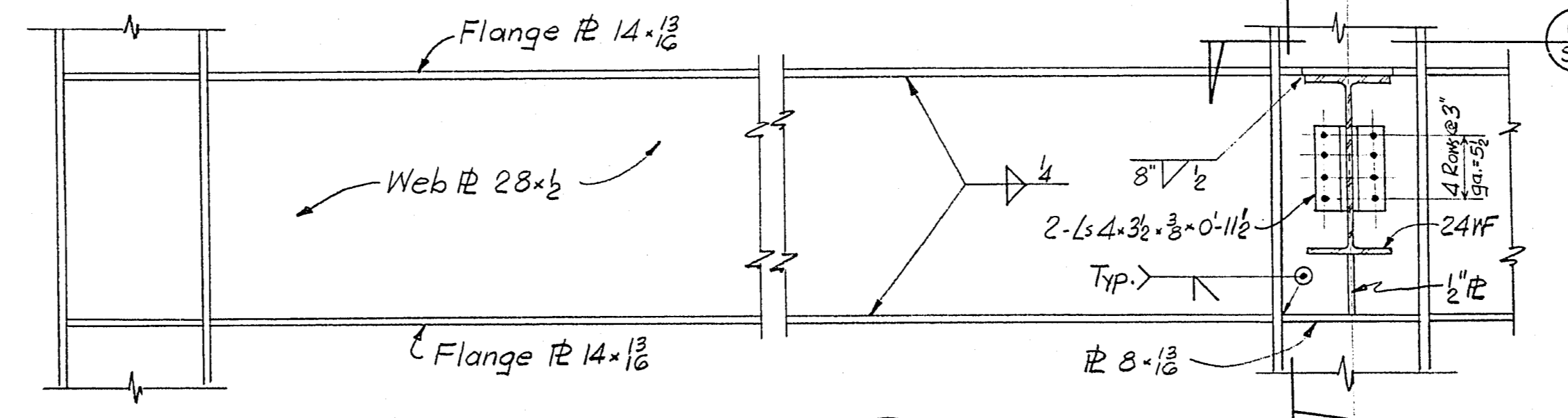
SECTION D S8



TYPICAL COLUMN SPLICE

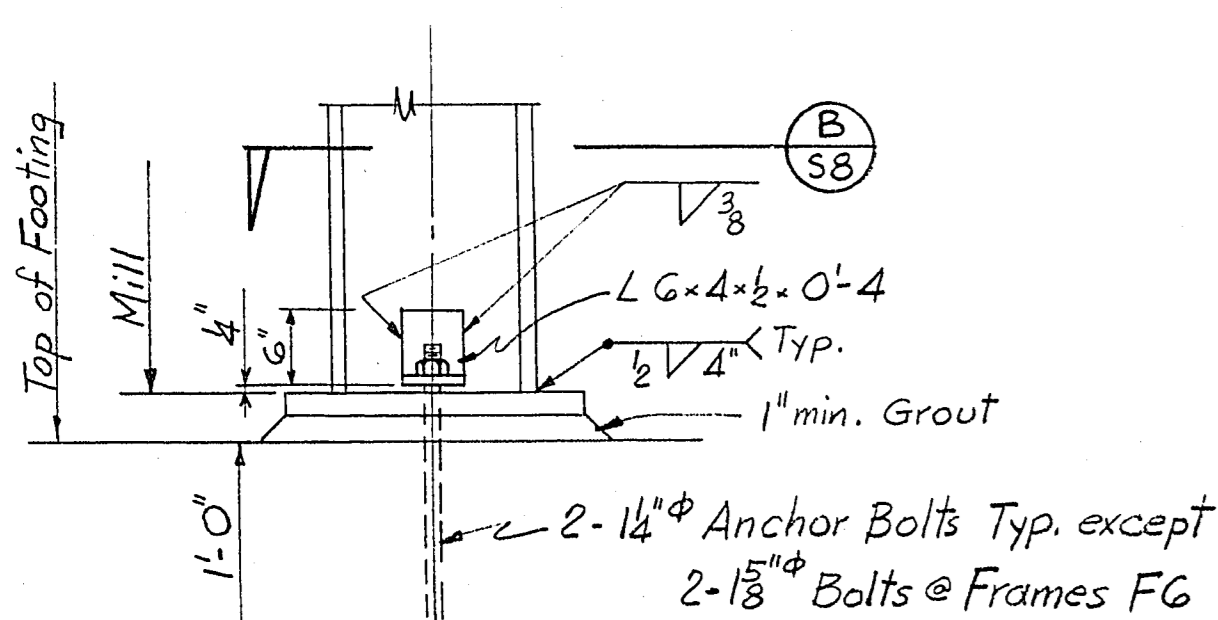


SECTION E S8

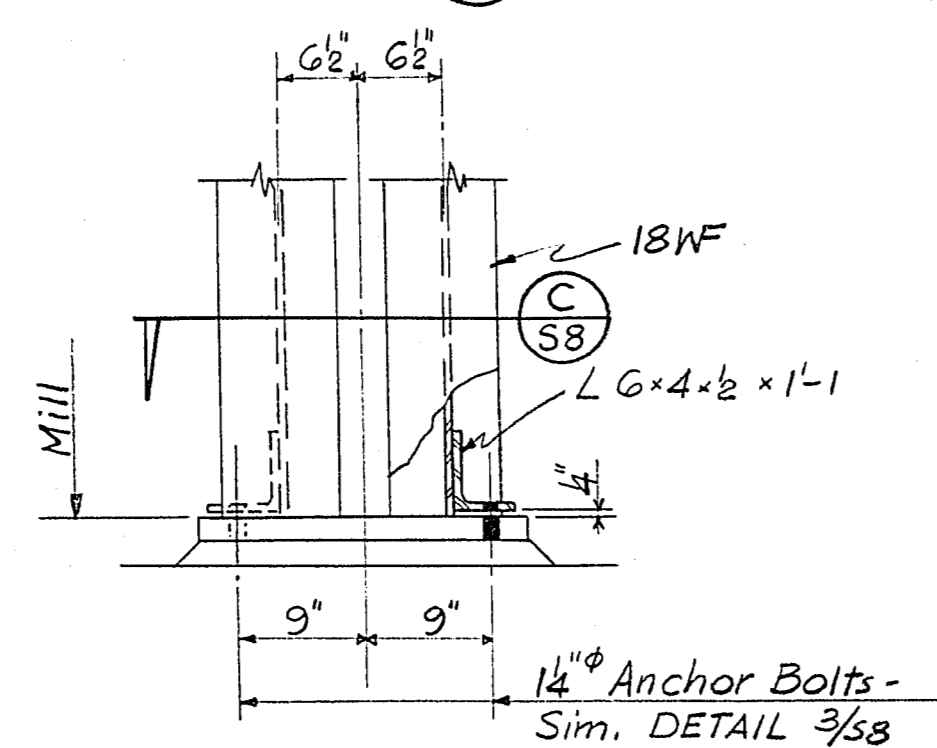


SECTION G S8

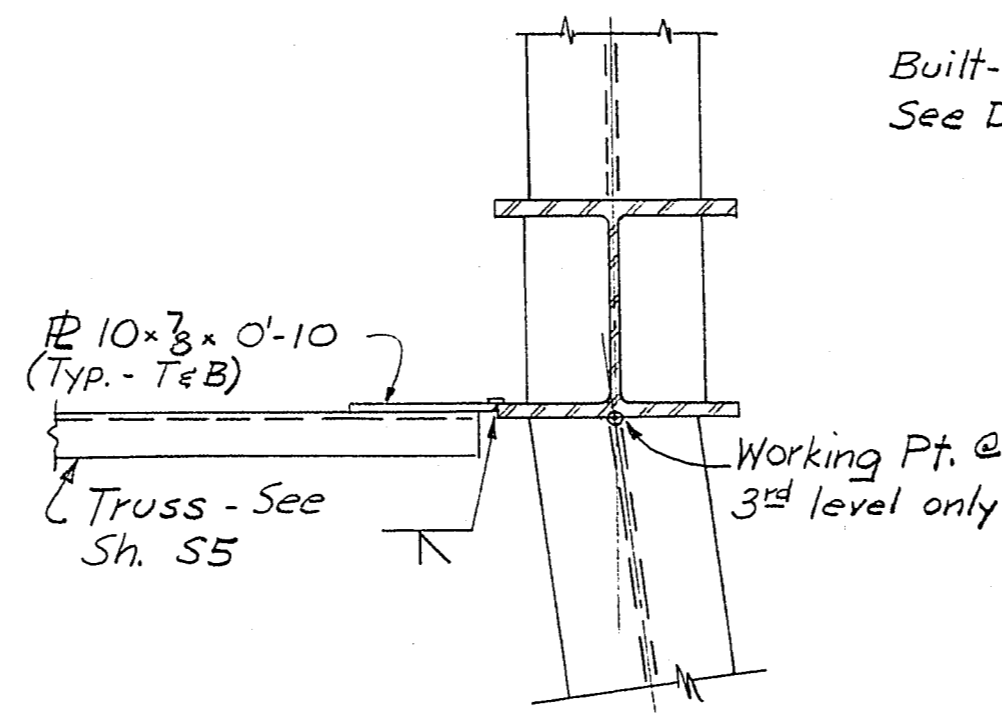
- STRUCTURAL STEEL NOTES**
- All structural steel work shall conform to the A.I.S.C. "Specification for the Design, Fabrication and Erection of Structural Steel for Buildings", 1963 Edition.
  - All structural steel, except certain specifically noted column sections, shall conform to ASTM A36-G37. Structural steel for those column sections noted as A441 in the Plans shall conform to ASTM A441-G4T including all stiffener plates welded thereto.
  - All welds shall be made in accordance with the "Standard Code for Arc and Gas Welding" of the American Welding Society, latest edition. All structural welding shall be performed by certified welders.
  - All field welds shall be made by either the manual shielded arc process using ASTM A233 Class E70 or Class E70 electrodes, or by the submerged arc process using Grade SAW-1 or Grade SAW-2 electrodes, except that all welding to ASTM A441 steel must be made using either ASTM A233 Class E70 or Grade SAW-2 electrodes.
  - All field welds shall be made by the manual shielded arc process. Electrodes for fillet welds shall be ASTM A233 Class E70 or E70. Electrodes for butt welds shall be ASTM A233 Class E70. All field butt welds shall be radiographically inspected (See Specs.)
  - All bolted connections shall be made with 7/8" High Strength Bolts, ASTM A325, in accordance with the "Specifications for Structural Joints Using ASTM A325 Bolts" by the Research Council on Riveted and Bolted Structural Joints of the Engineering Foundation, 1962.
  - Column base plates shall be finished in accordance with AISC Specs Section 1.21.3. Base plate details shown on Plans are for plates shipped loose. The Fabricator may submit alternate base plate details of at least equal strength for approval by the Structural Engineer.
  - All frame beams (beams on Column Lines 1, 2 thru 10 & 11) shall be cambered a minimum of 1/8" and a maximum of 2/8". Other beams shall be cambered as shown on the Framing Plan.
  - All rolled and built-up welded beams shall be fabricated from full-length stock. No butt joints shall be permitted.
  - All connections not detailed in Plans shall be AISC Standard Framed Beam Connections with maximum number of bolts per vertical line. Welds of equal strength may be substituted for bolts.
  - Nelson studs, as shown on E/S-8, shall apply to all beams and girders carrying conc. slabs.
  - Fabricator shall furnish mill test reports to the Architect for A36 and A441 steel. Shop drawings shall clearly indicate the material for each fabricated piece.



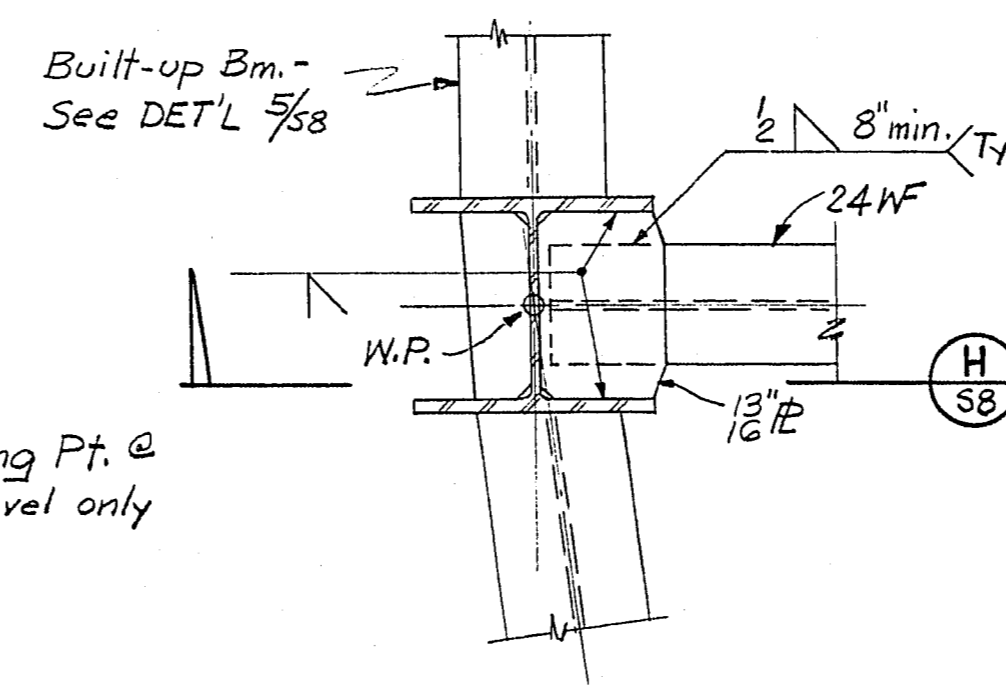
DETAIL 3 S8



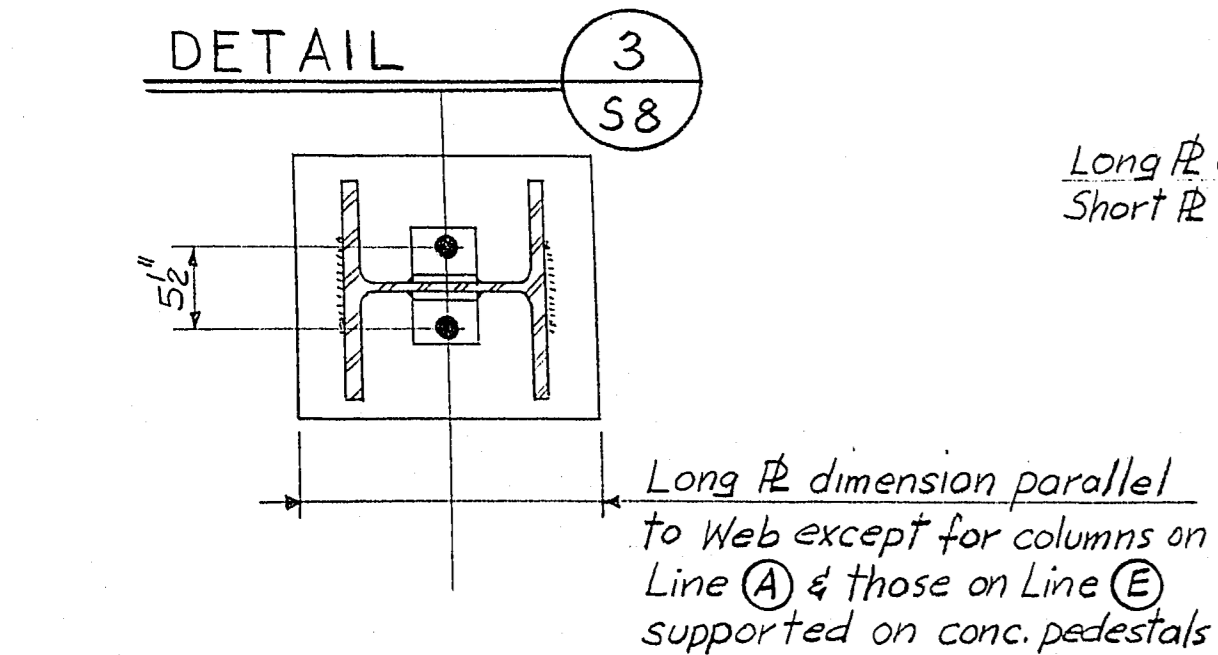
DETAIL 4 S8



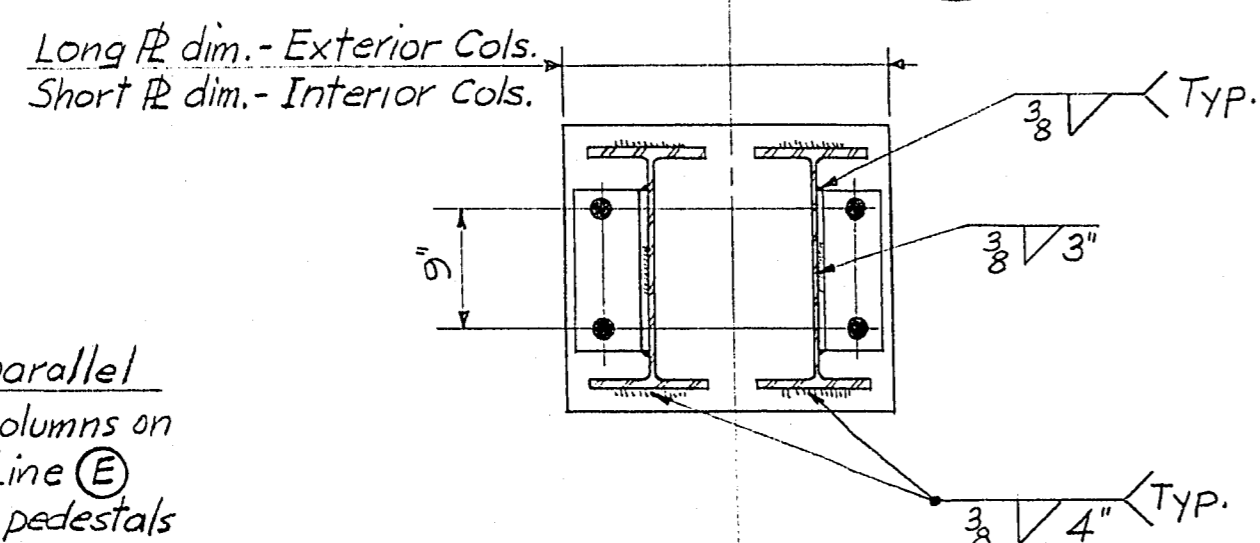
SECTION F S8



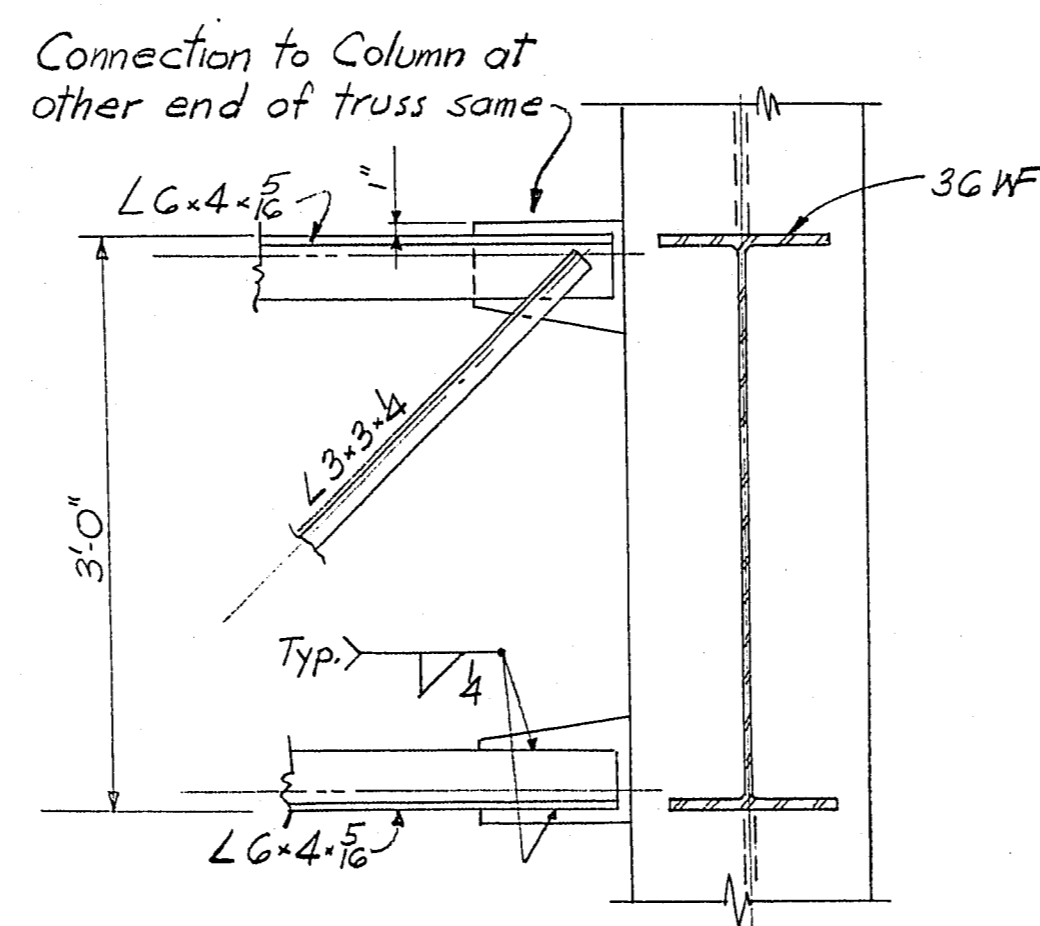
SECTION G S8



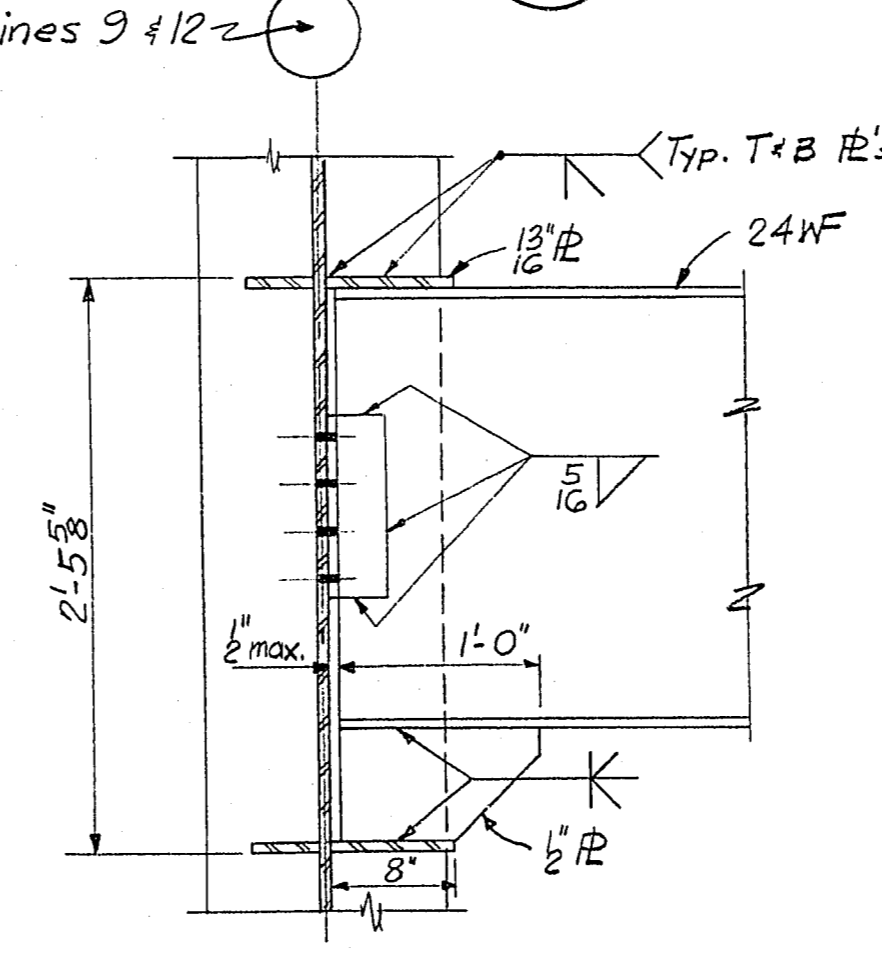
SECTION B S8



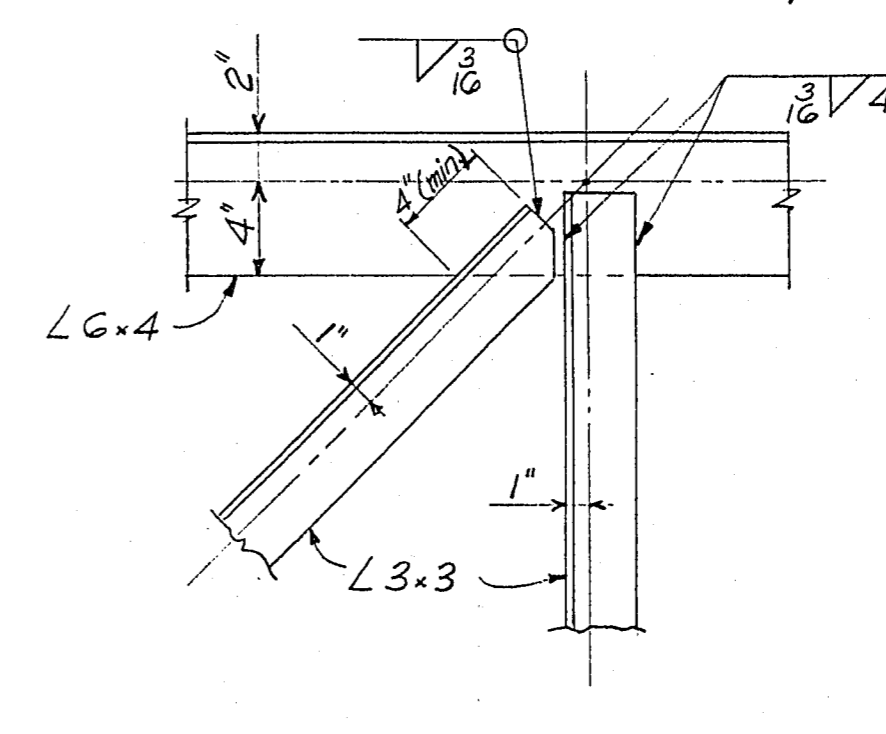
SECTION C S8



DETAIL 6 S8 (As Shown for FRAME F7; Opp. Hand for FRAME FG)



SECTION H S8



DETAIL 7 S8

VOID SEE SA SERIES DRAWINGS

THE DESIGNS AND IDEAS INDICATED BY THESE DRAWINGS WERE CREATED FOR USE ON THIS PROJECT ONLY AND ARE THE PROPERTY OF EDWARD B. HENDRICKS ASSOC. THEY MAY NOT BE USED FOR ANY OTHER PURPOSE WHATSOEVER WITHOUT THE WRITTEN PERMISSION OF THE OFFICE OF EDWARD B. HENDRICKS ASSOCIATES.

DANIEL M. CASHDAN  
REGISTERED PROFESSIONAL ENGINEER  
1221 EAST WYOMING AVE., SUITE 200, LAS VEGAS, NEVADA 89101

**EDWARD B. HENDRICKS ASSOCIATES**  
ARCHITECTURE • PLANNING • ENGINEERING  
E. B. HENDRICKS A.I.A.  
FRED L. KENNEDY  
G. L. JACOBSON

537 E. SAHARA AVE.  
LAS VEGAS, NEVADA  
PHONE • 735-0902

**MUNICIPAL PARKING GARAGES**  
CITY OF LAS VEGAS  
NEVADA  
CARSON SITE

DIRECTOR OF PUBLIC WORKS

**STRUCTURAL DETAILS & SECTIONS**

DATE	9-8-66	SHEET	8	OF	9
JOB NO.				I.D.	10
DRAWN BY	DWC			DATE BY	
				REVISIONS	