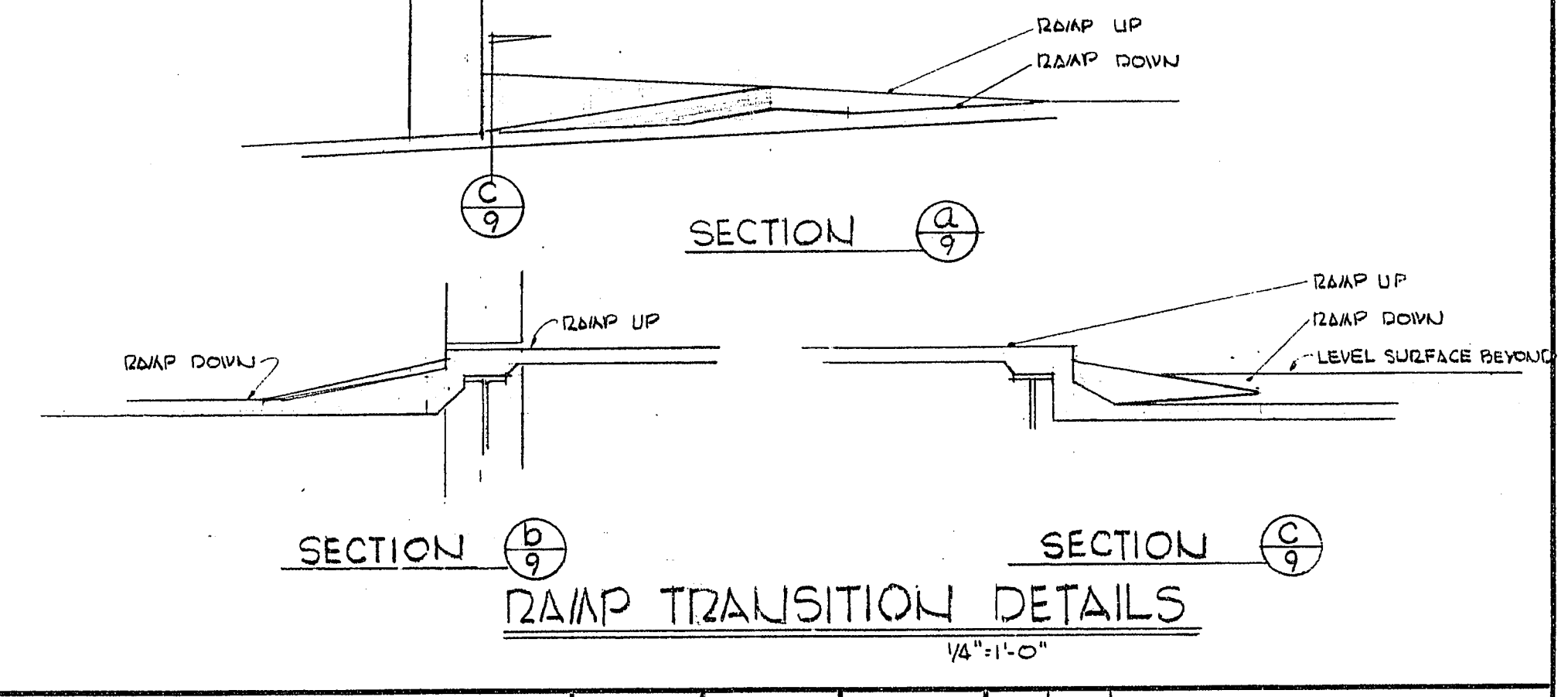
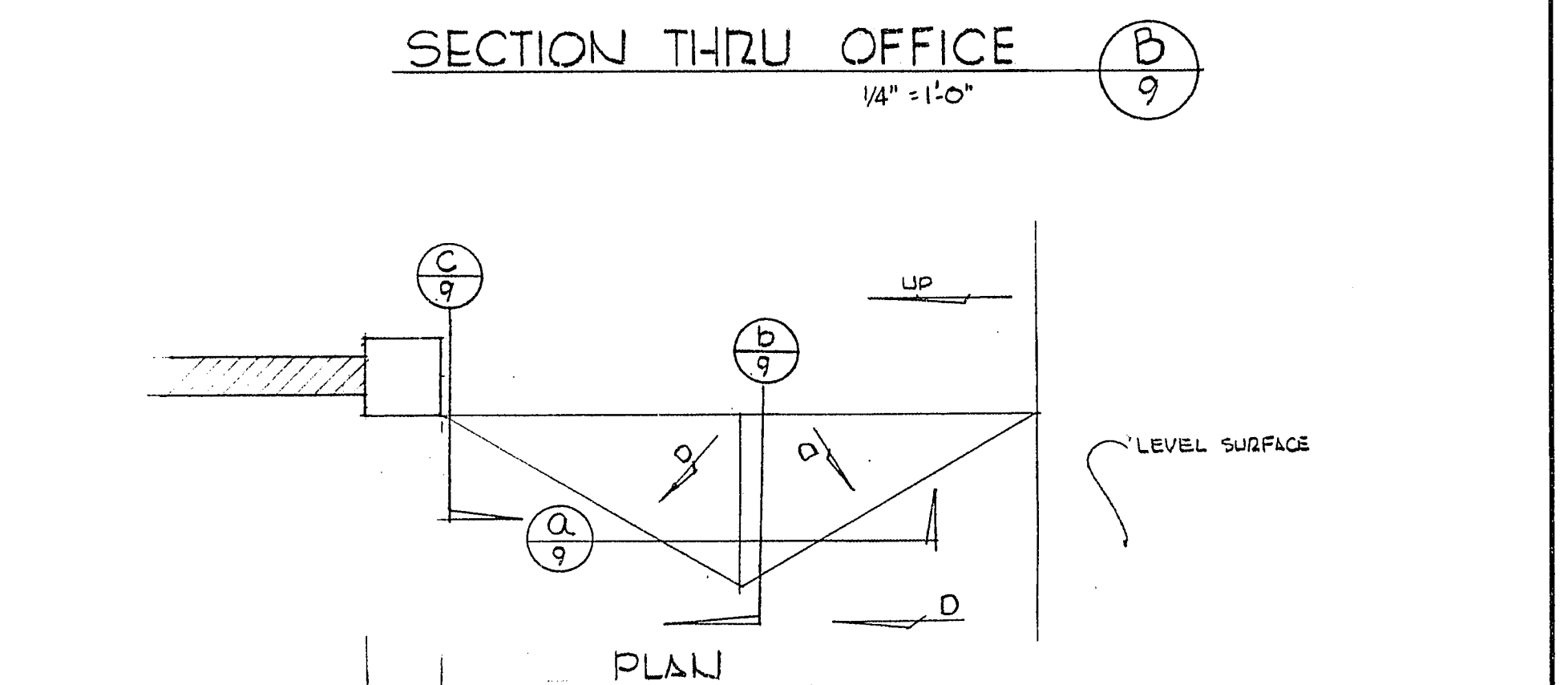
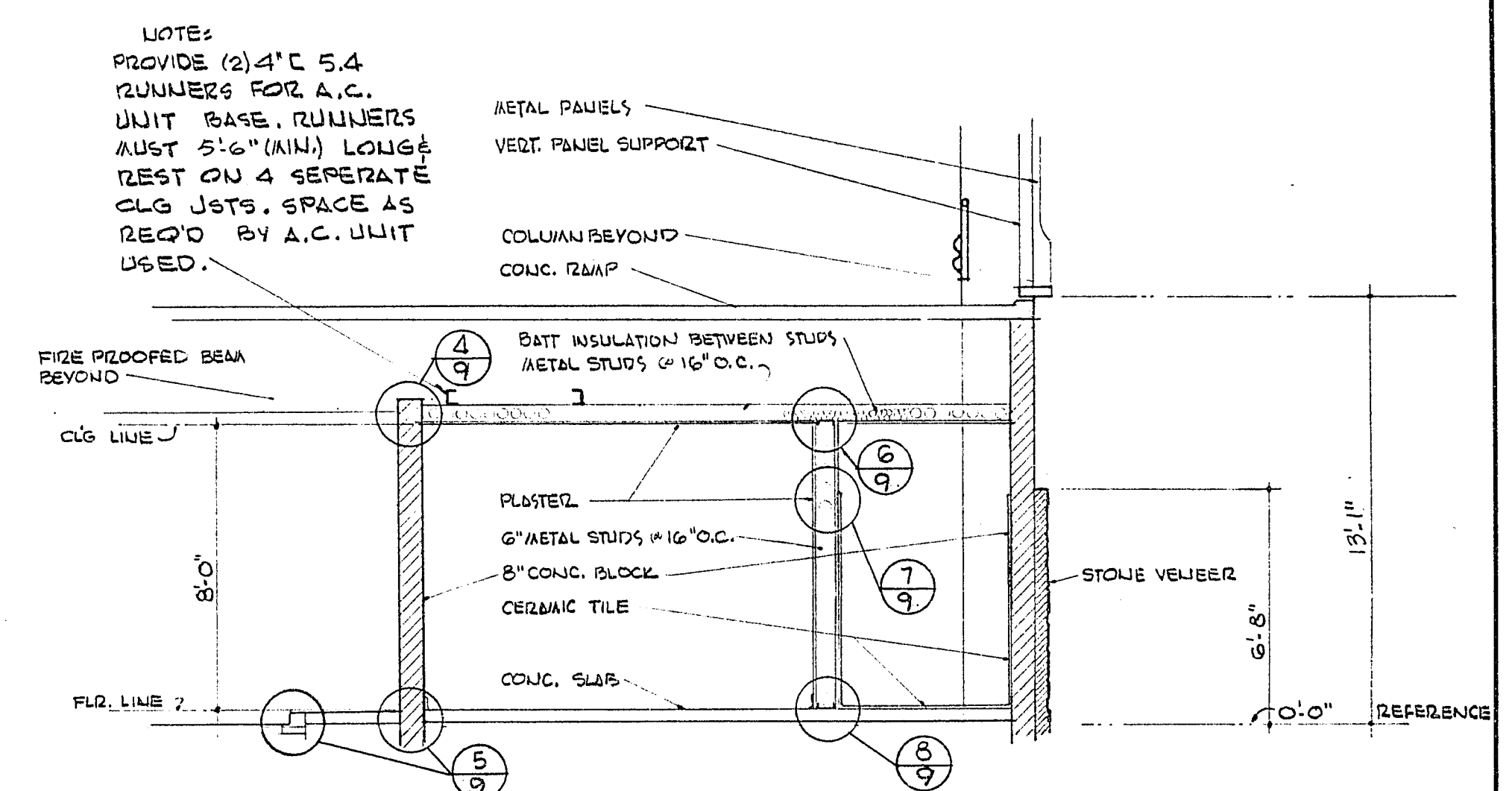


SECTION THRU STORAGE #1
1/4" = 1'-0"



THE DESIGNS AND IDEAS INDICATED BY THESE DRAWINGS WERE CREATED FOR USE ON THIS PROJECT ONLY AND ARE THE PROPERTY OF EDWARD B. HENDRICKS ASSOCIATES. THEY MAY NOT BE USED FOR ANY OTHER PURPOSE WHATSOEVER WITHOUT THE WRITTEN PERMISSION OF THE OFFICE OF EDWARD B. HENDRICKS ASSOCIATES.	EDWARD B. HENDRICKS ASSOCIATES ARCHITECTURE • PLANNING • ENGINEERING E. B. HENDRICKS A.I.A. FRED L. KENNEDY G. L. JACOBSON	537 E. SAHARA AVE. LAS VEGAS, NEVADA PHONE • 733-0902	MUNICIPAL PARKING GARAGES CITY OF LAS VEGAS NEVADA CARSON SITE	DIRECTOR OF PUBLIC WORKS	DATE 9-8-66 JOB NO. 9 DRAWN BY JACOBSON.	SHEET 9 OF 12 I.D. 20	DATE BY J.C.	REVISIONS
					SECTIONS & TYPICAL DETAILS	J.C. CLARIFICATION REVISION	REVISIONS	