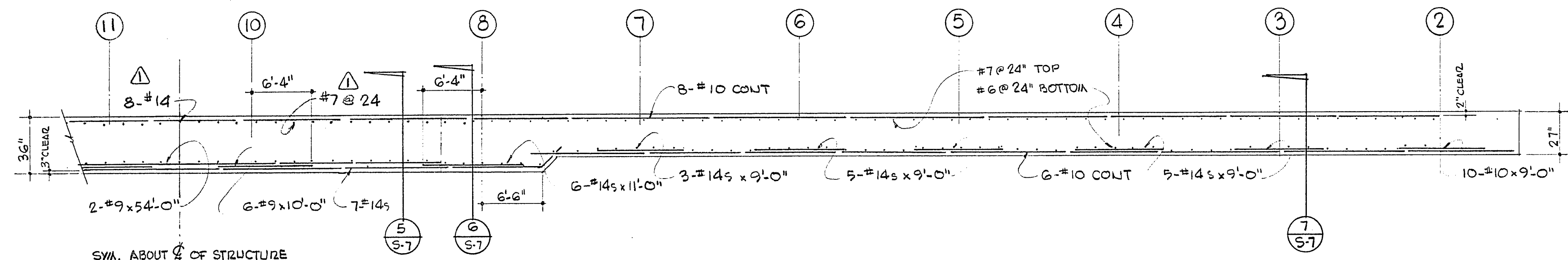
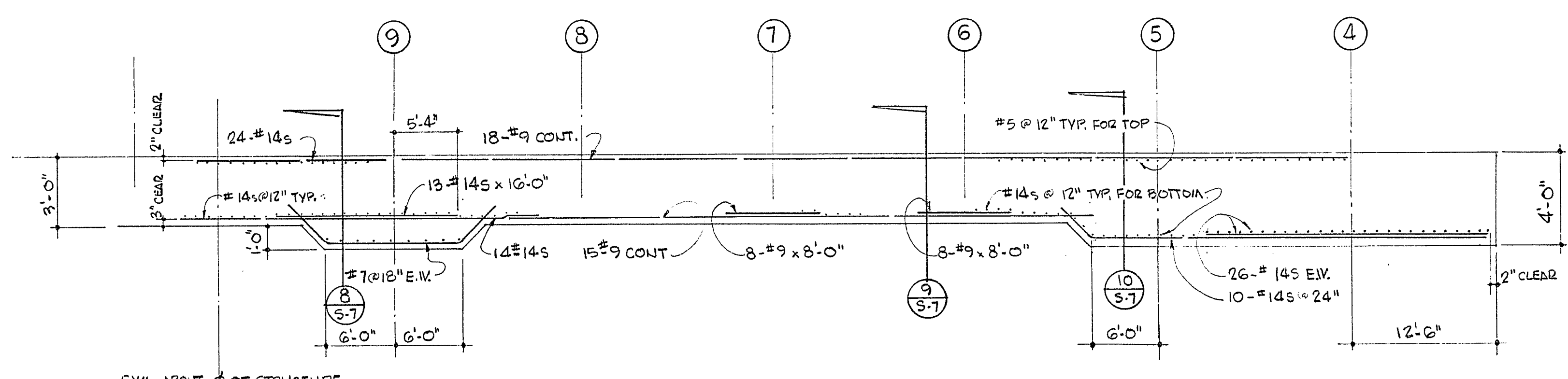


SLAB SECTION 1
S-7



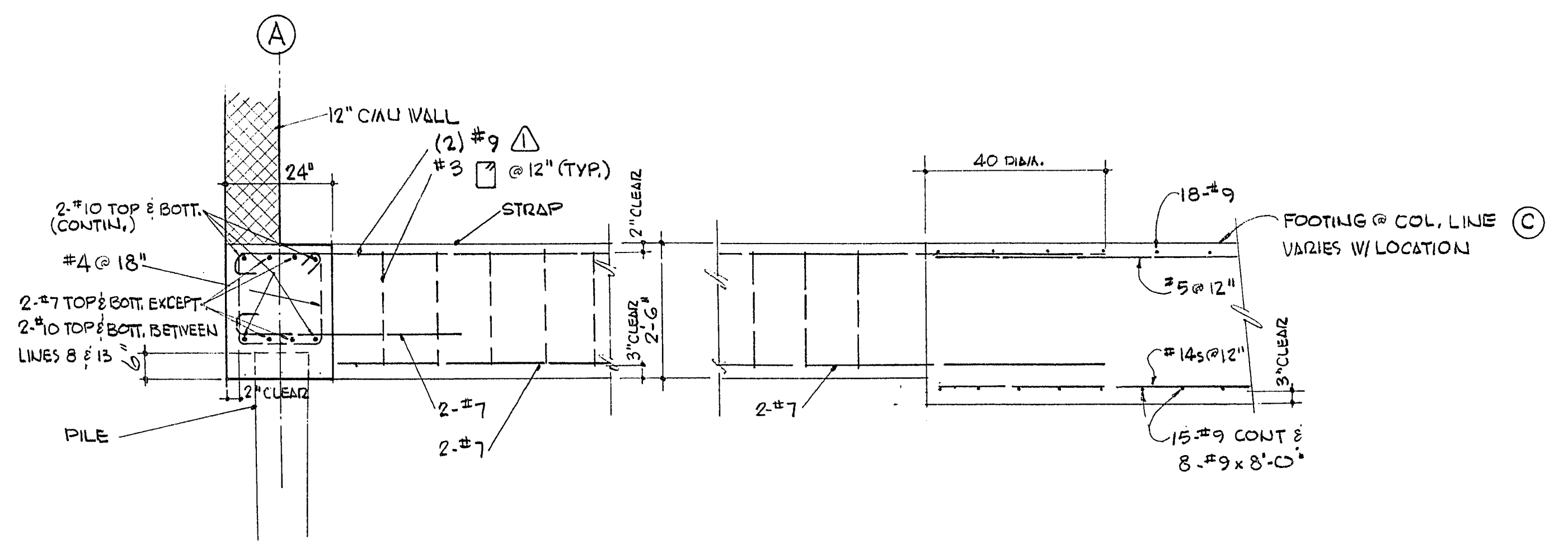
SYM. ABOUT C OF STRUCTURE

SECTION 2
S-7



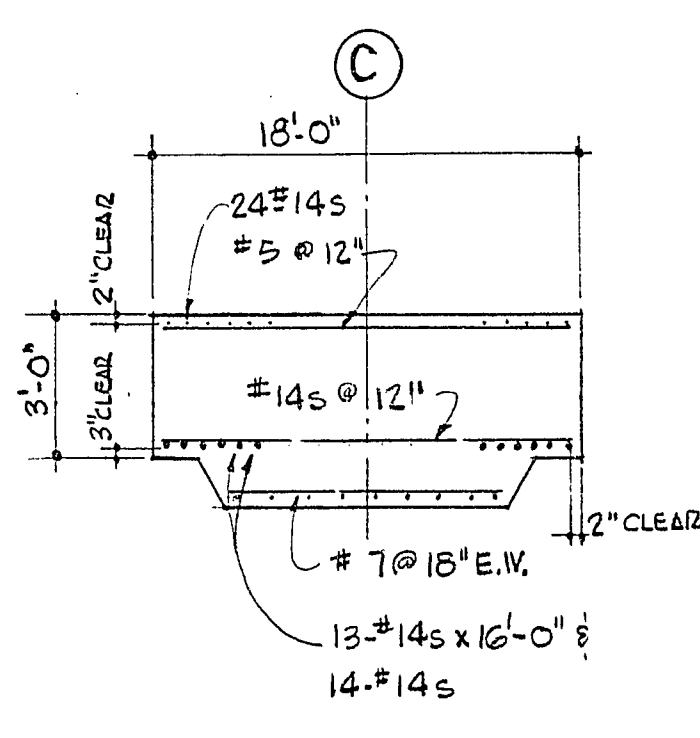
SYM. ABOUT C OF STRUCTURE

SECTION 3
S-7

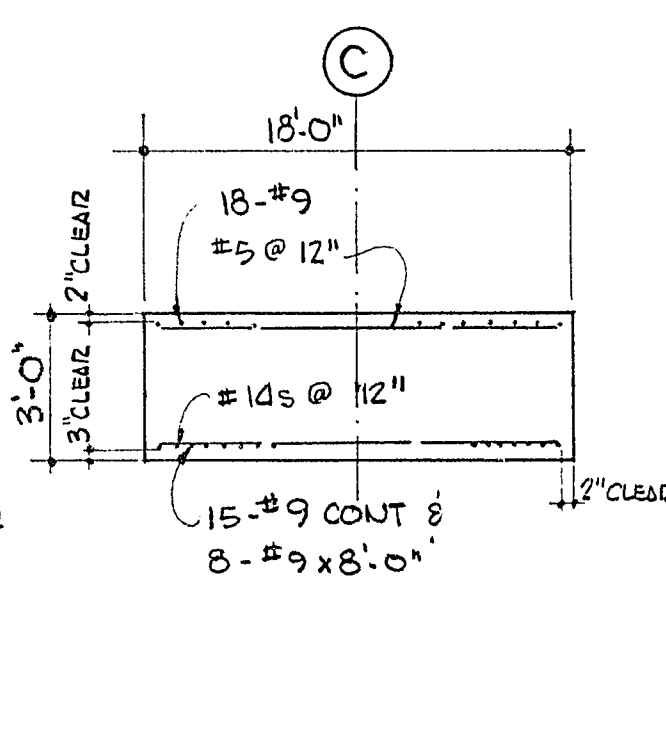


DETAIL 4
SCALE - 1/2\"/>

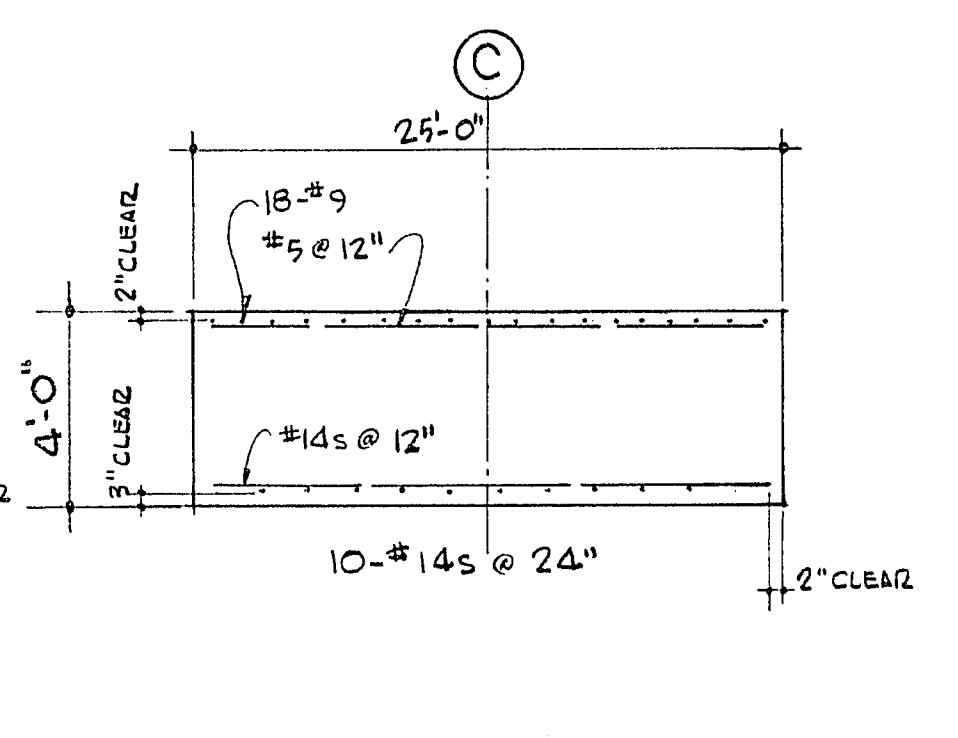
DETAIL 11
SCALE - 1/2\"/>



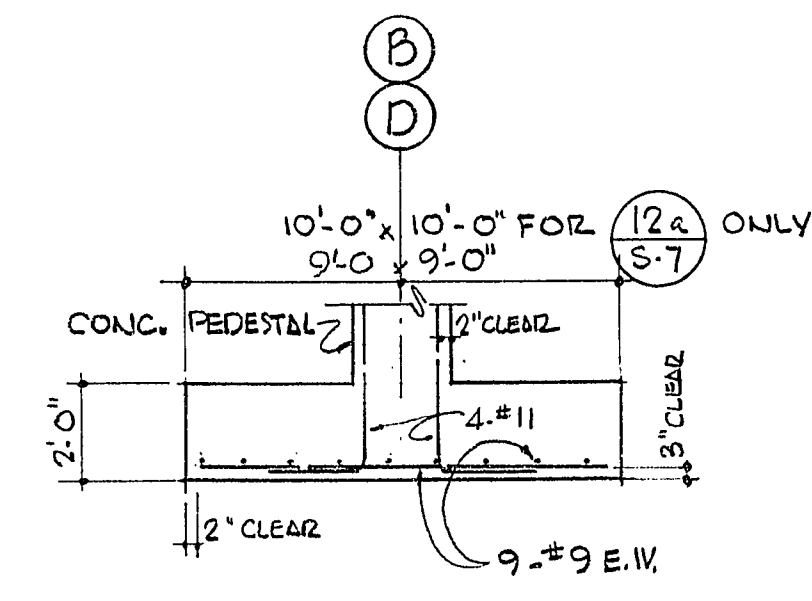
DETAIL 8
S-7



DETAIL 9
S-7

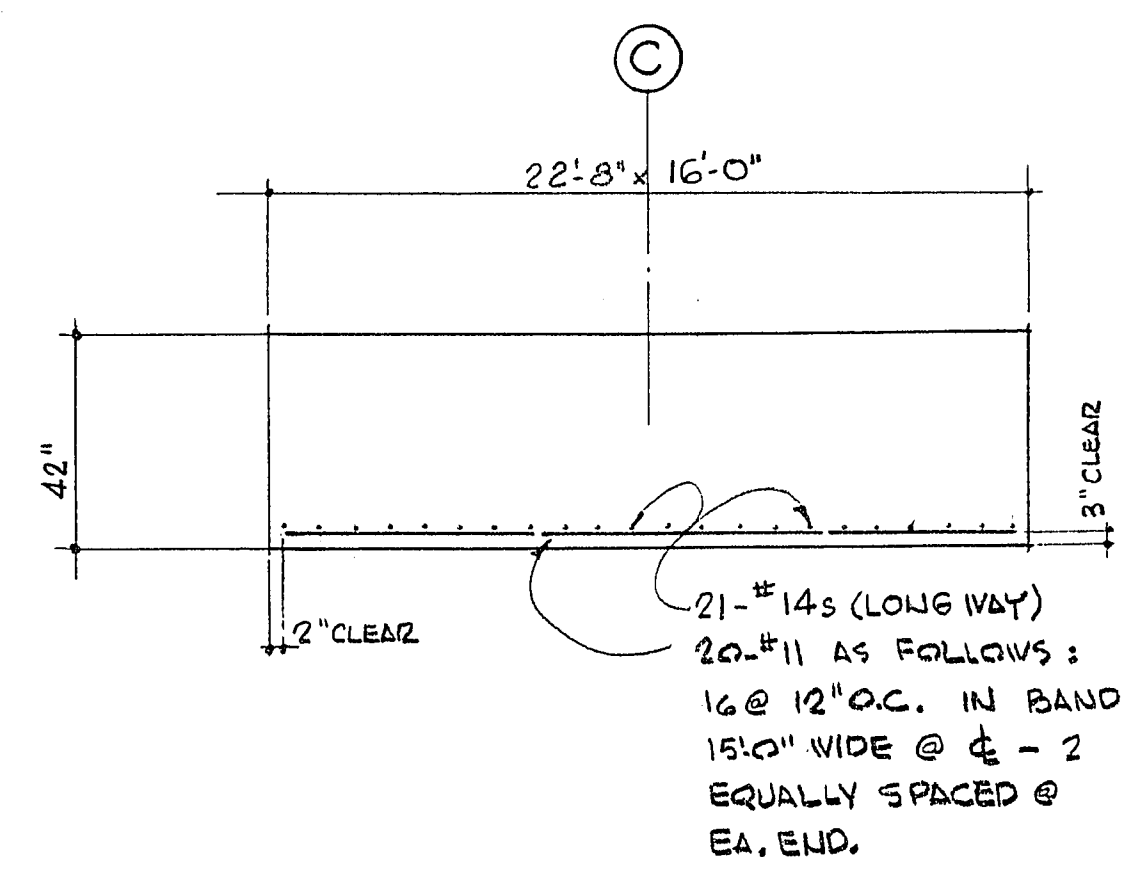


DETAIL 10
S-7



DETAIL 12
SCALE - 1/4\"/>

DETAIL 12a
S-7



DETAIL 13
SCALE - 1/4\"/>

THE DESIGNS AND IDEAS INDICATED BY THESE DRAWINGS WERE CREATED FOR USE ON THIS PROJECT ONLY AND ARE THE PROPERTY OF EDWARD B. HENDRICKS ASSOC. THEY MAY NOT BE USED FOR ANY OTHER PURPOSE WHATSOEVER WITHOUT THE WRITTEN PERMISSION OF THE OFFICE OF EDWARD B. HENDRICKS ASSOCIATES.

DANIEL M. CASHDAN
STRUCTURAL ENGINEER
537 EAST SAHARA AVE.
LAS VEGAS, NEVADA

EDWARD B. HENDRICKS ASSOCIATES
ARCHITECTURE PLANNING ENGINEERING
E. B. HENDRICKS A.I.A.
FRED L. KENNEDY
G. L. JACOBSON
537 E. SAHARA AVE.
LAS VEGAS, NEVADA
PHONE • 735-0902

MUNICIPAL PARKING GARAGES
CITY OF LAS VEGAS
NE VADA
CARSON SITE
DIRECTOR OF PUBLIC WORKS

SLAB & FOOTING SECTIONS & DETAILS

DATE	9-8-66	SHEET	9	OF	9
JOB NO.				I.D.	
DRAWN BY	JACOBSON		7		
DATE		BY		U.C.	CLARIFICATION REVISION
					REVISIONS

1-9 5/12-137