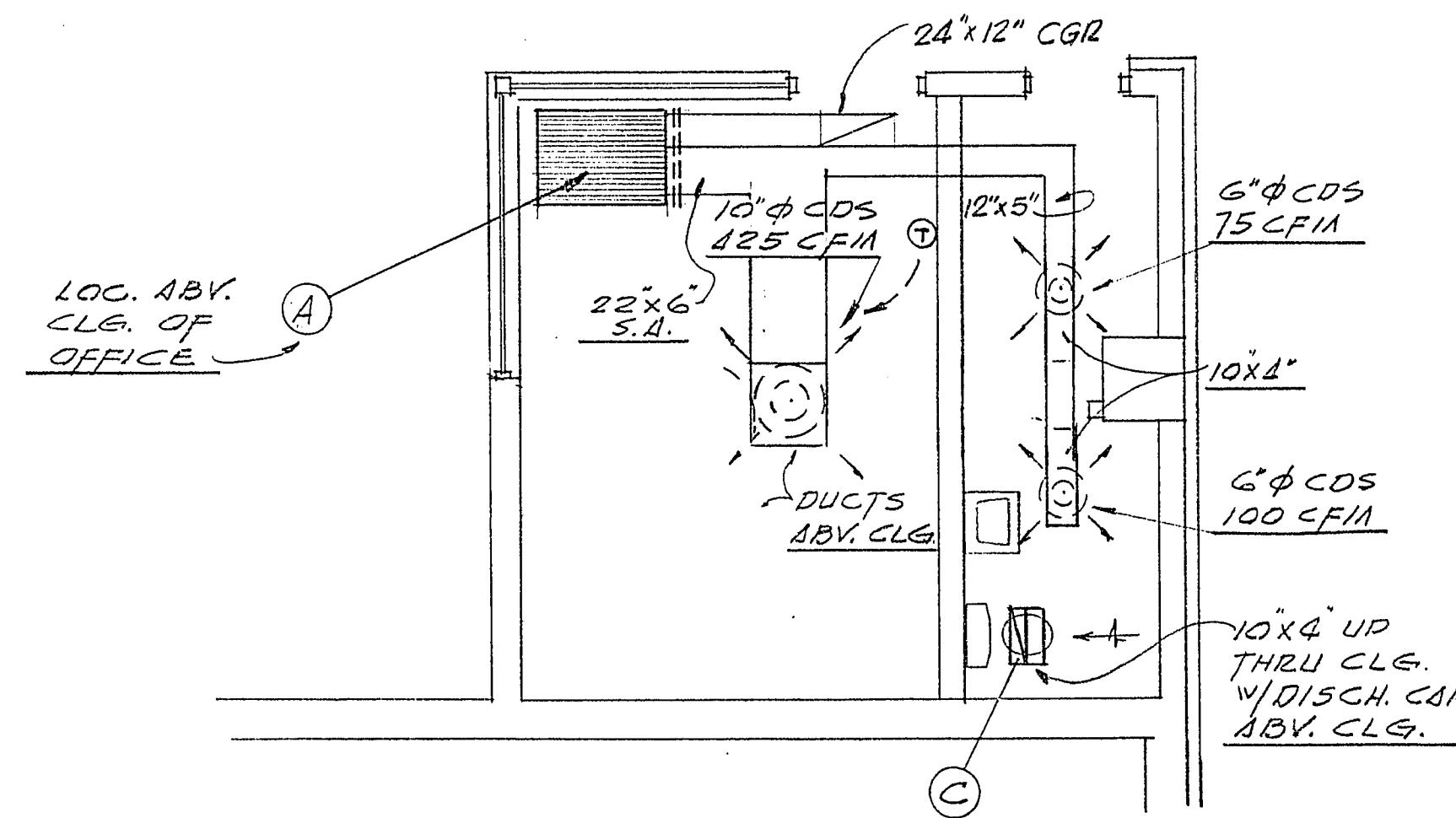


ENTRANCE PLAN
SCALE 1/4" = 1'-0"



OFFICE PLAN Δ
SCALE 1/4" = 1'-0"

AIR CONDITIONING EQUIPMENT

- Ⓐ HEAT PUMP UNIT- FEDDERS DUCTAIRE MODEL HED24C-3, CAPACITY 21,000 BTU/HR COOLING AT 115° AMB. DB, 80° DB & 67° WB INSIDE TEMP, NOM. 2 TON, 15,000 BTU/HR HEATING AT 20° O.A.T PLUS 3 KW ELECT. STRIP HEAT 230 VOLT, 2 HP COMP. 230-1-60, 1/2 HP EVAP. COND. FAN MOTOR, 600 CFM, UNIT COMPLETE PKG. w/ TSTAT, FILTERS & 2 VIBR. SPRING MOUNTS UNDER UNIT.
- Ⓑ AIR CONDITIONING UNIT- DUO-THERM MODEL 512-D-7, CAPACITY 8,500 BTU/HR AT ARE STANDARDS, 1 HP COMPRESSOR 115-1-60, 1/2 HP FAN MOTOR, UNIT COMPLETE PKG. w/ CEILING GRILLE ASSEMBLY TO INCLUDE TSTAT, FAN SW., DUCTS, FILTER & GRILLES.
- Ⓒ TOILET EXHAUST FAN- TRADEWIND CLIPPER MODEL 1501, 115-1-60, 105 WATT, UNIT COMPLETE w/ DISCH. DUCT THRU CEILING, DISCH. CAP & SWITCH TO LIGHTS.

NOTES

1. CEILING DIFFUSERS- KRUEGER SERIES RA-2 w/ VCD, OR EQUAL.
2. RETURN GRILLE- KRUEGER SERIES SB0H, OR EQUAL.
3. FRESH AIR LOUVRE- CARNES LA1 w/ 1/2 MESH BACKING, OR AN APPROVED EQUAL.
4. VIBRATION SPRING MOUNTS BELOW HEAT PUMP- KORFUND SERIES F, SIZE A-A 80.
5. FLEX CONNECTIONS AT HEAT PUMP INTAKE & DISCHARGE 50Z. IMPREGNATED CANVAS SEALED AIR TIGHT.

THE DESIGNS AND IDEAS INDICATED BY THESE DRAWINGS WERE CREATED FOR USE ON THIS PROJECT ONLY AND ARE THE PROPERTY OF EDWARD B. HENDRICKS ASSOC. THEY MAY NOT BE USED FOR ANY OTHER PURPOSE WHATSOEVER WITHOUT THE WRITTEN PERMISSION OF THE OFFICE OF EDWARD B. HENDRICKS ASSOCIATES.

EDWARD B. HENDRICKS ASSOCIATES
ARCHITECTURE • PLANNING • ENGINEERING
E. B. HENDRICKS A.I.A.
FRED L. KENNEDY
G. L. JACOBSON

537 E. SAHARA AVE.
LAS VEGAS, NEVADA
PHONE • 735-0902

MUNICIPAL PARKING GARAGES
CITY OF LAS VEGAS
NEVADA
CARSON SITE

Robert
DIRECTOR OF PUBLIC WORKS

**OFFICE & ENTRANCE
PLANS & NOTES**

DATE 9-8-66	SHEET M	OF 4		
JOB NO.	4	11.0.	27	
DRAWN BY R. M.				DATE BY REVISIONS
				AS BUILT REVISIONS