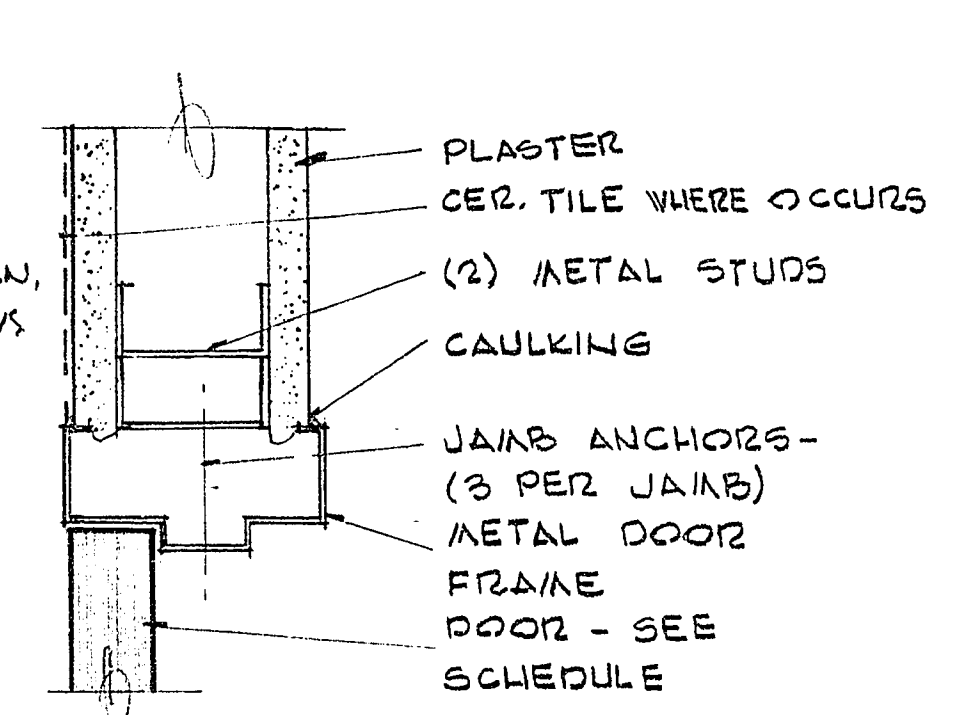
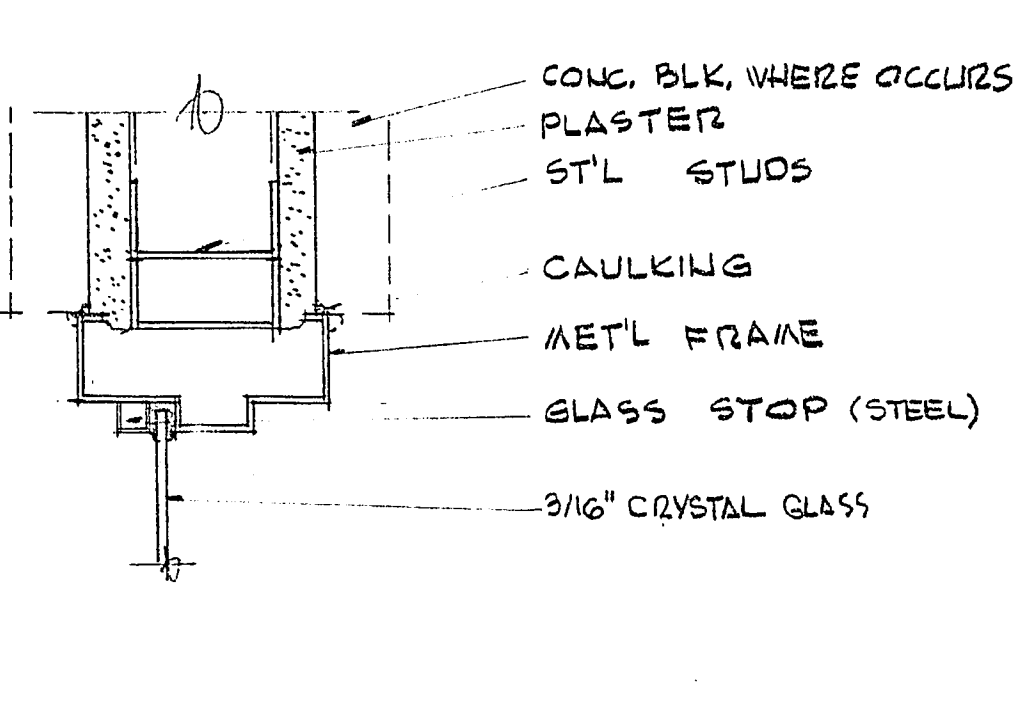


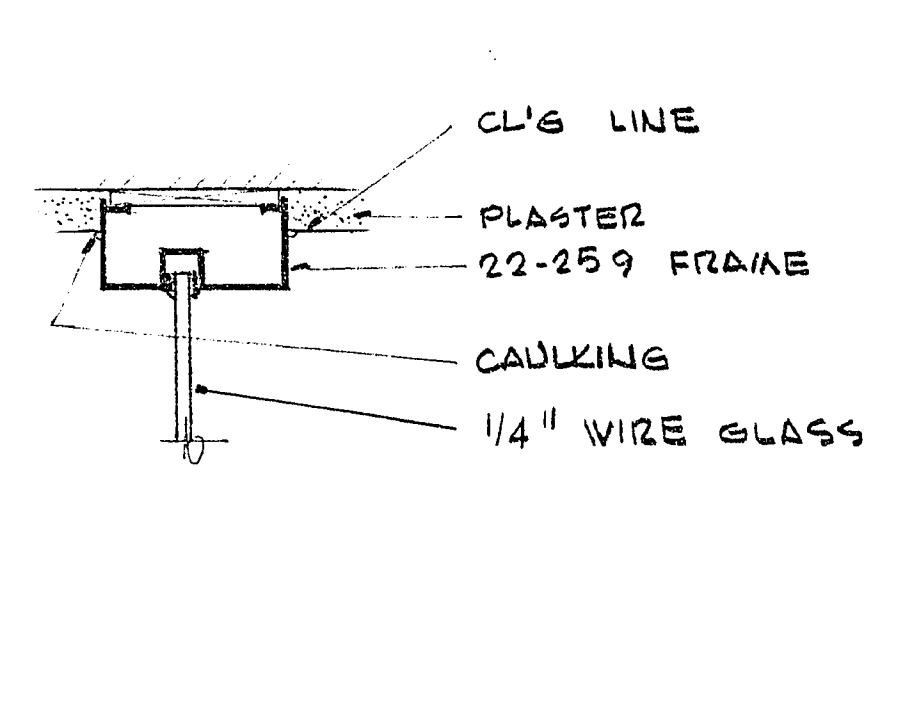
HEAD JAMB SIMILAR (1/12)



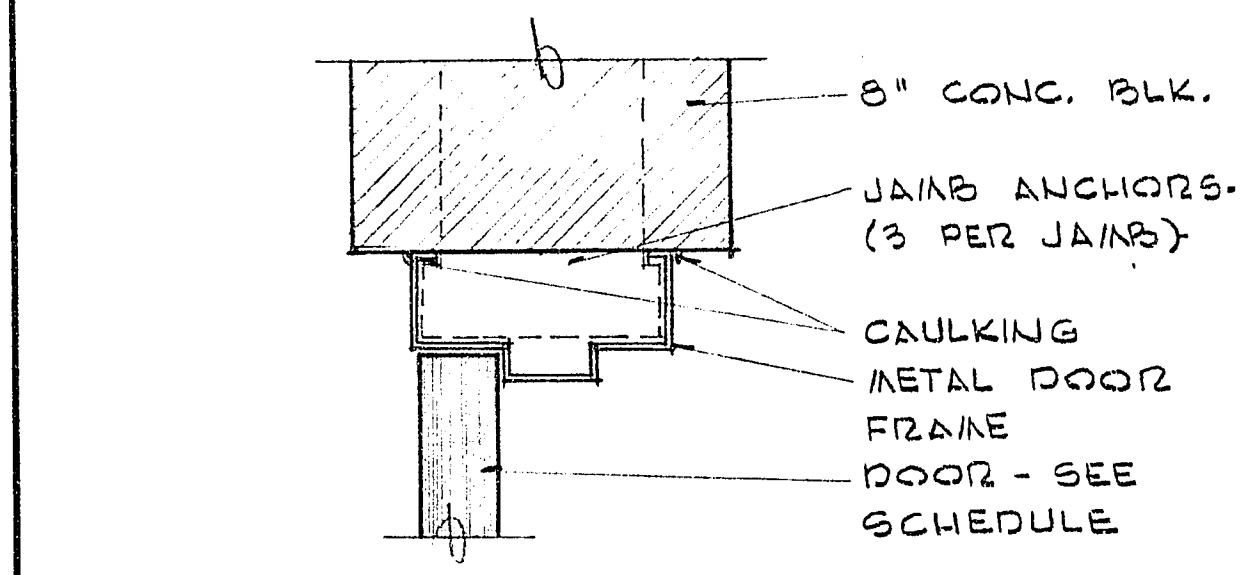
JAMB (6/12)



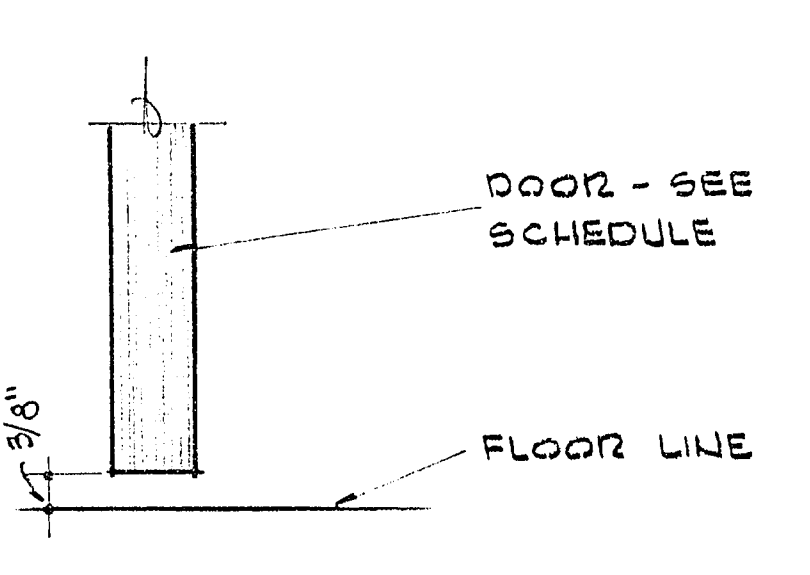
JAMB (11/12)



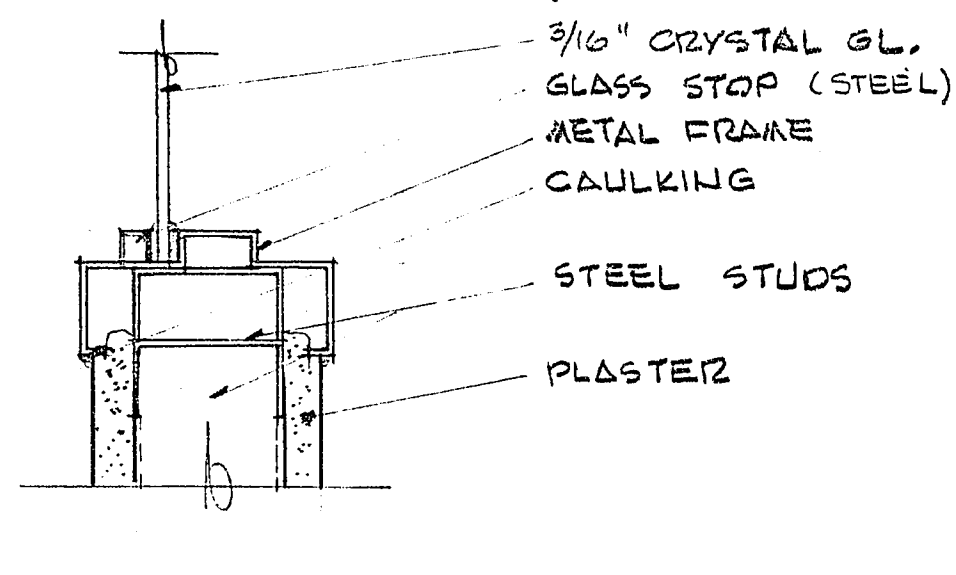
HEAD (16/12)



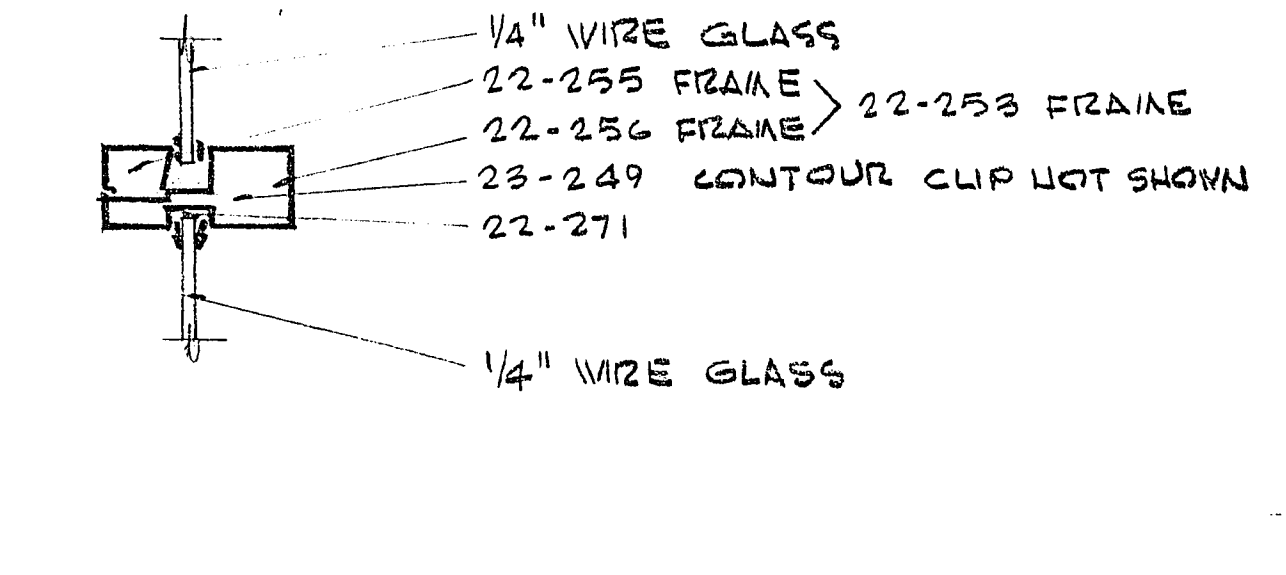
HEAD JAMB SIMILAR (2/12)



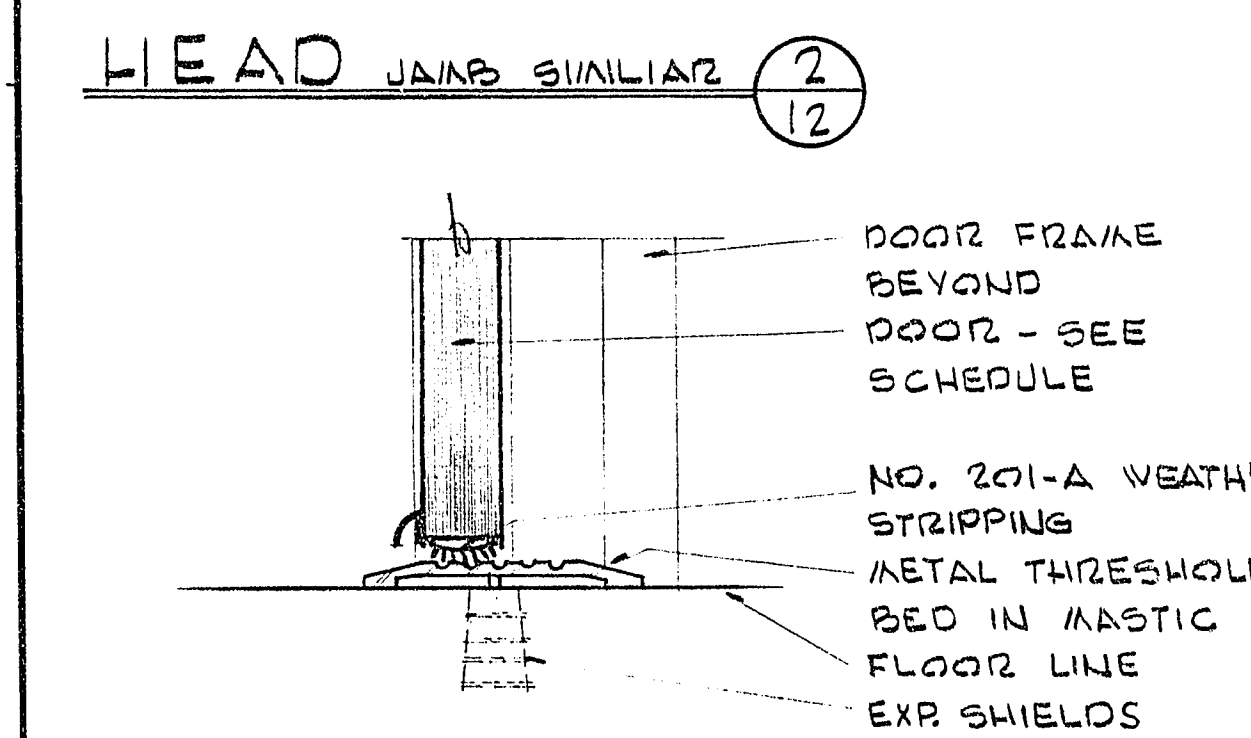
THRESHOLD (7/12)



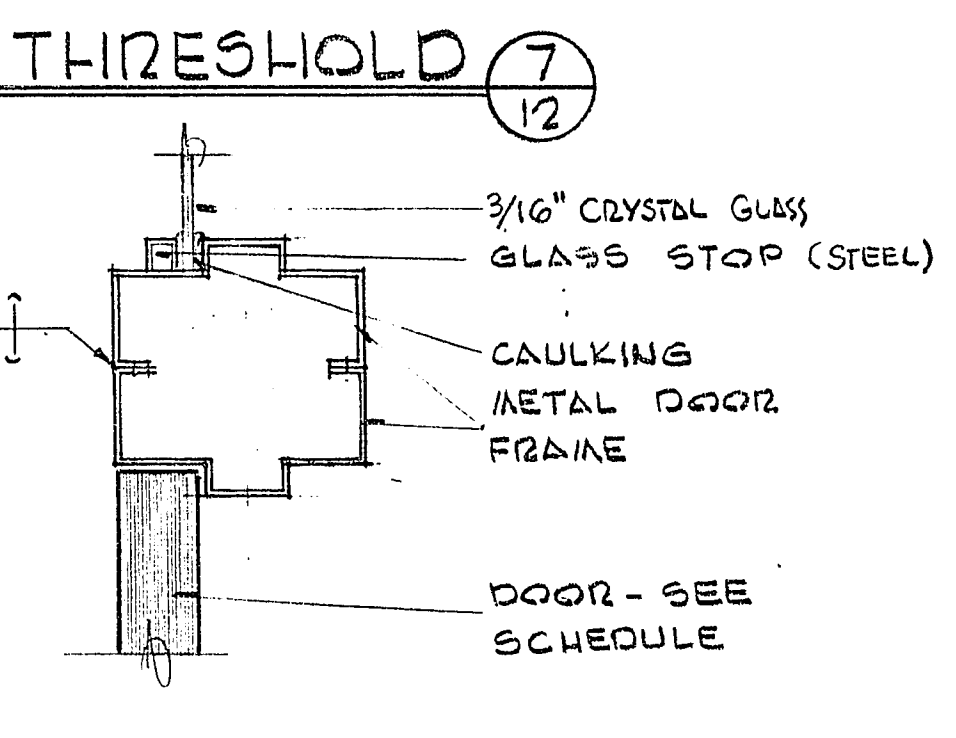
SILL (12/12)



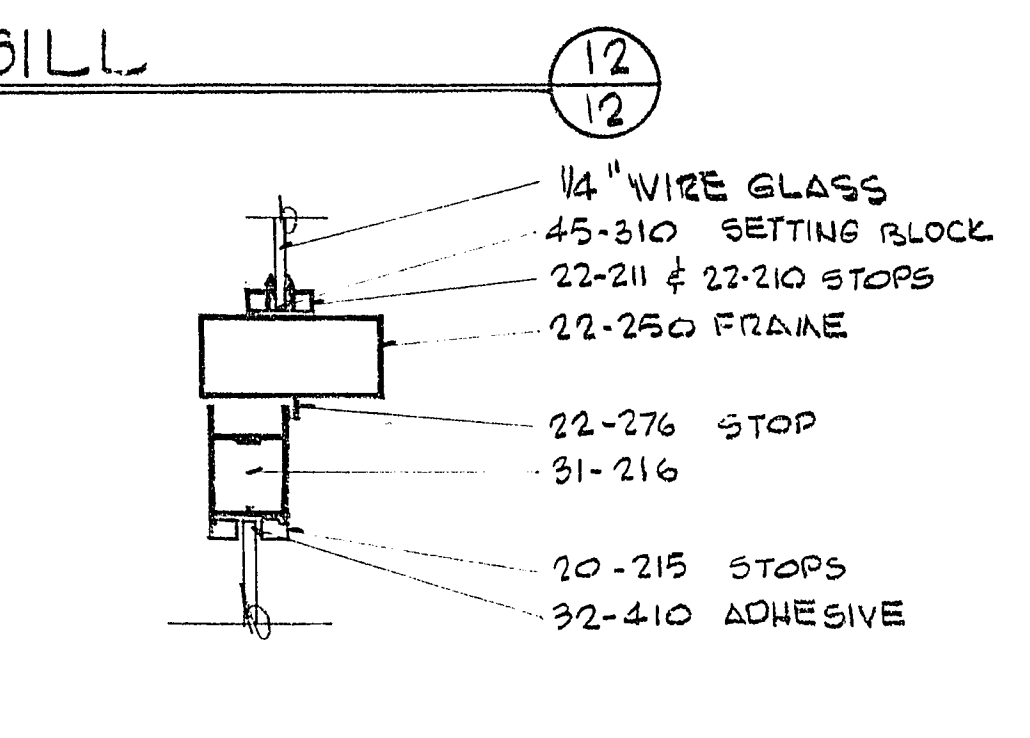
MULLION & MUNTIN (17/12)



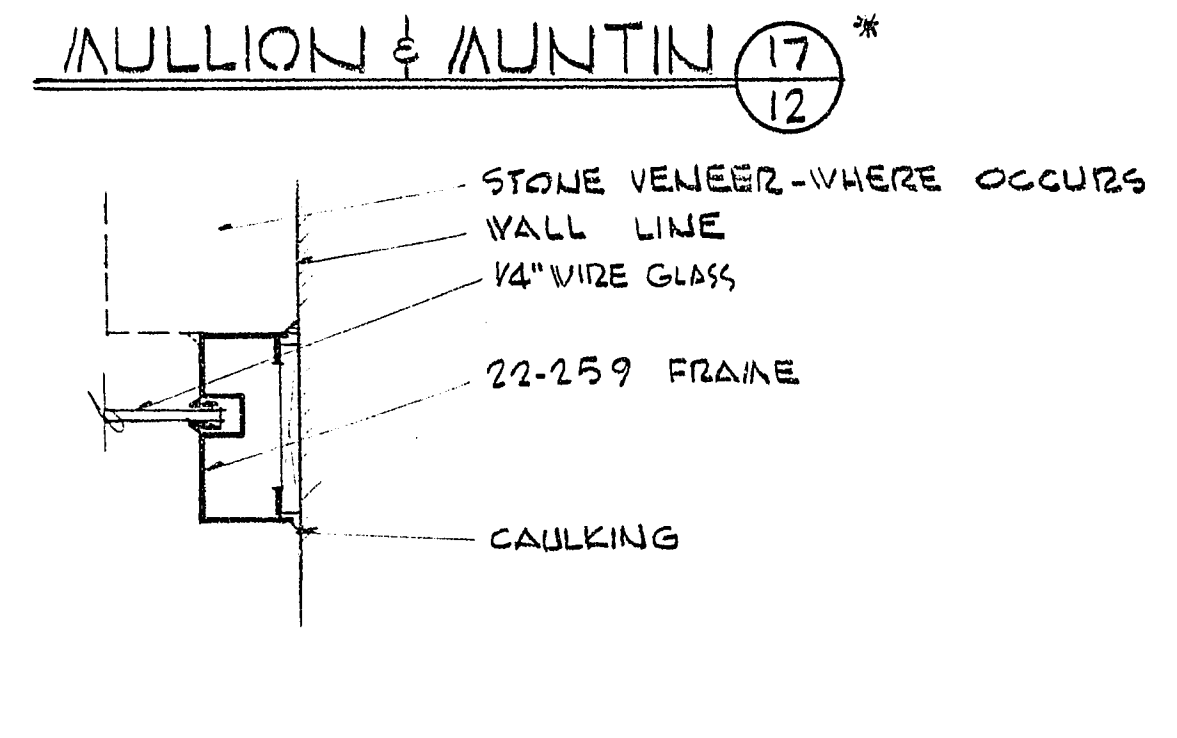
THRESHOLD (3/12)



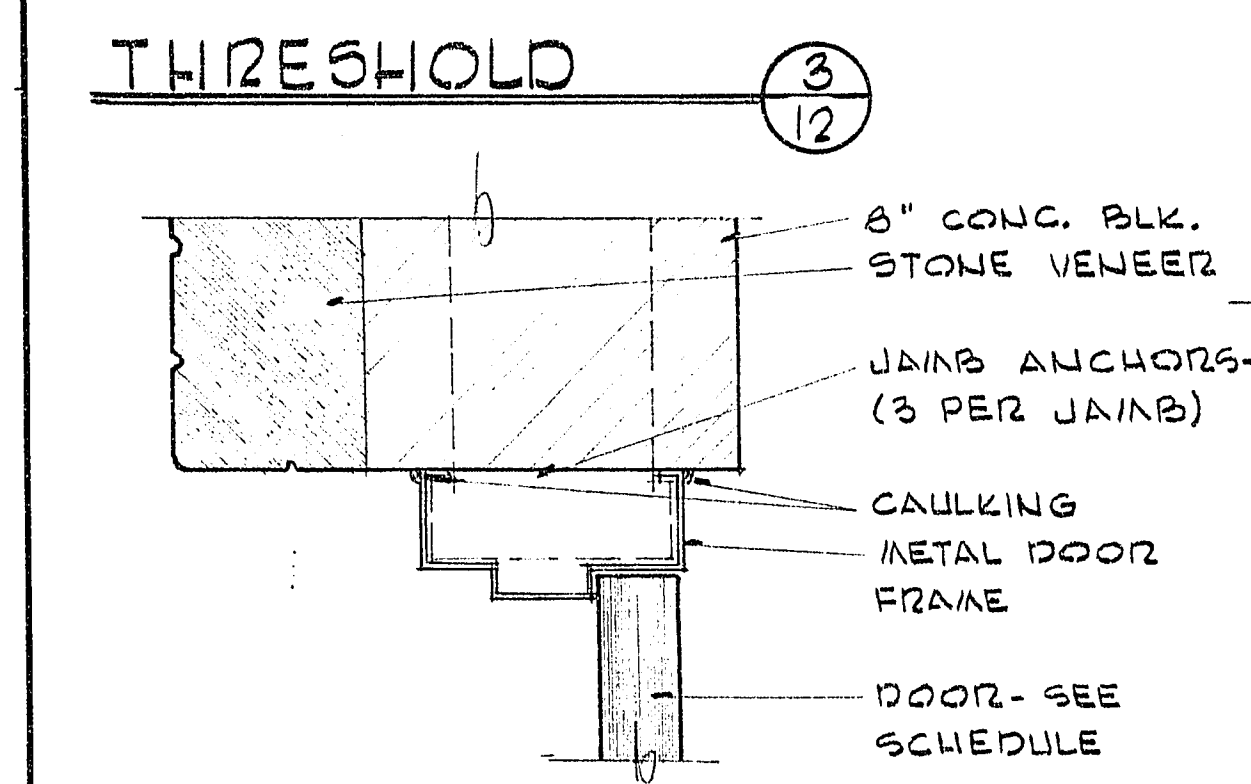
JAMB (8/12)



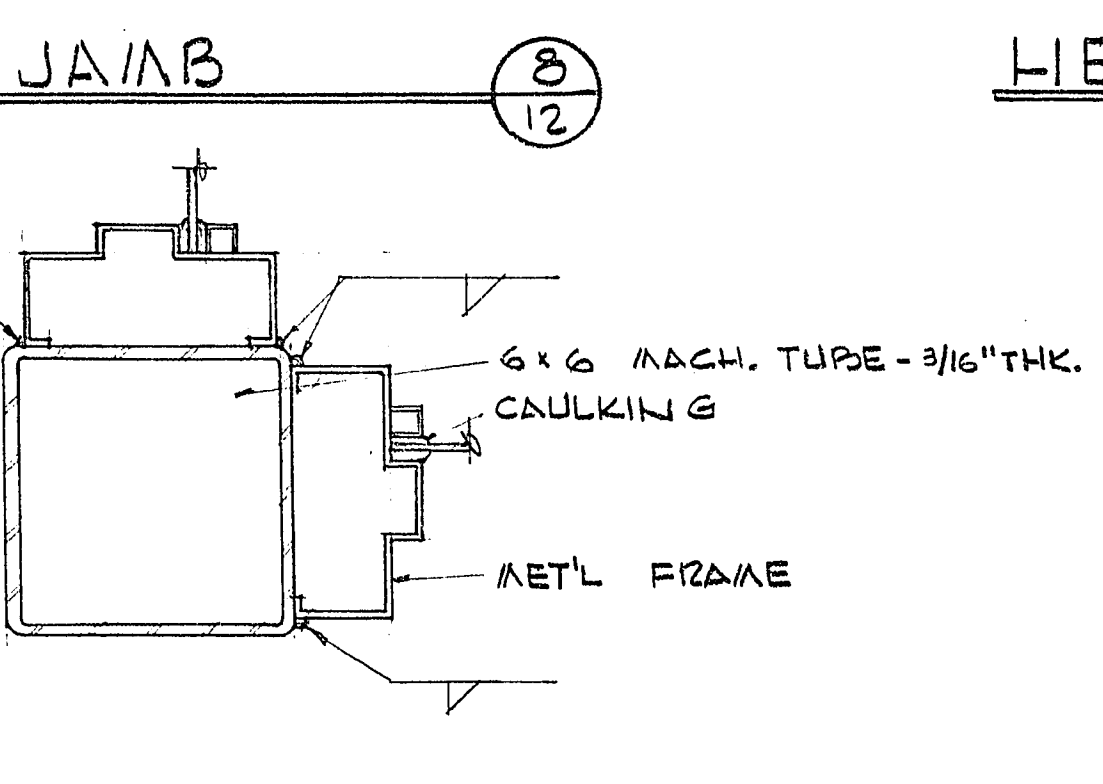
HEAD (13/12)



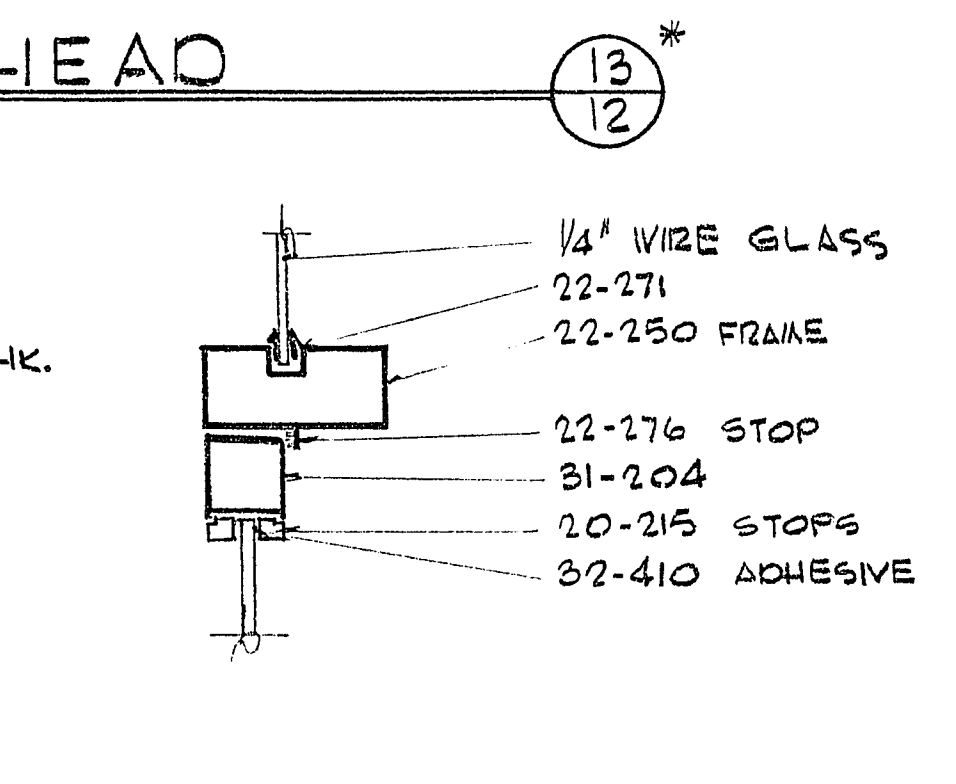
JAMB (18/12)



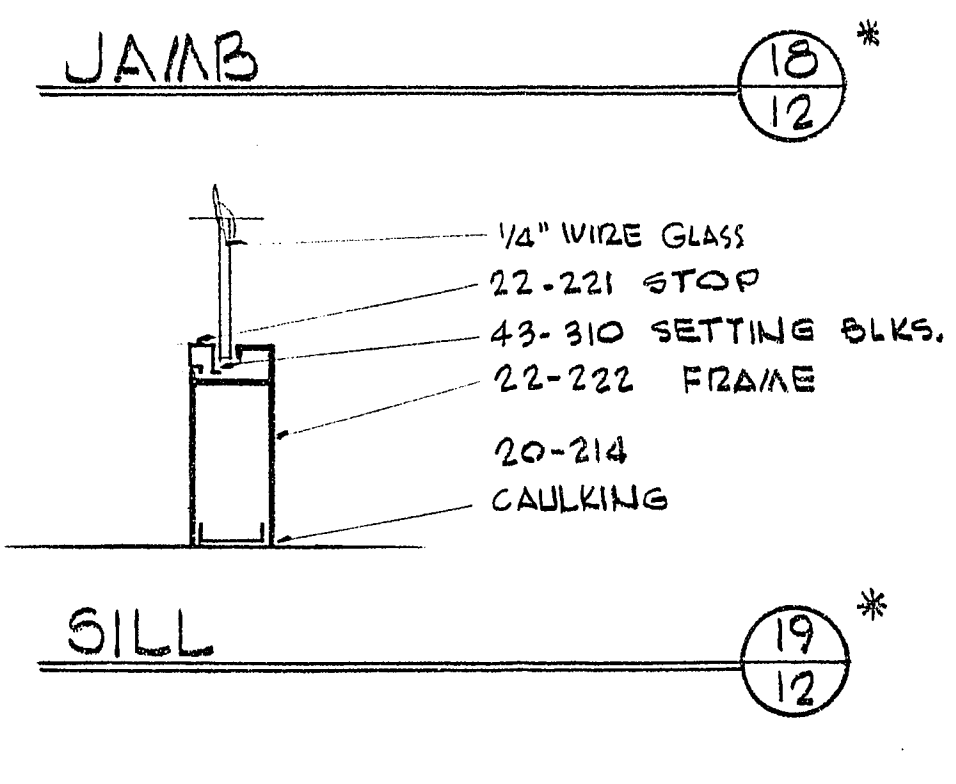
JAMB (4/12)



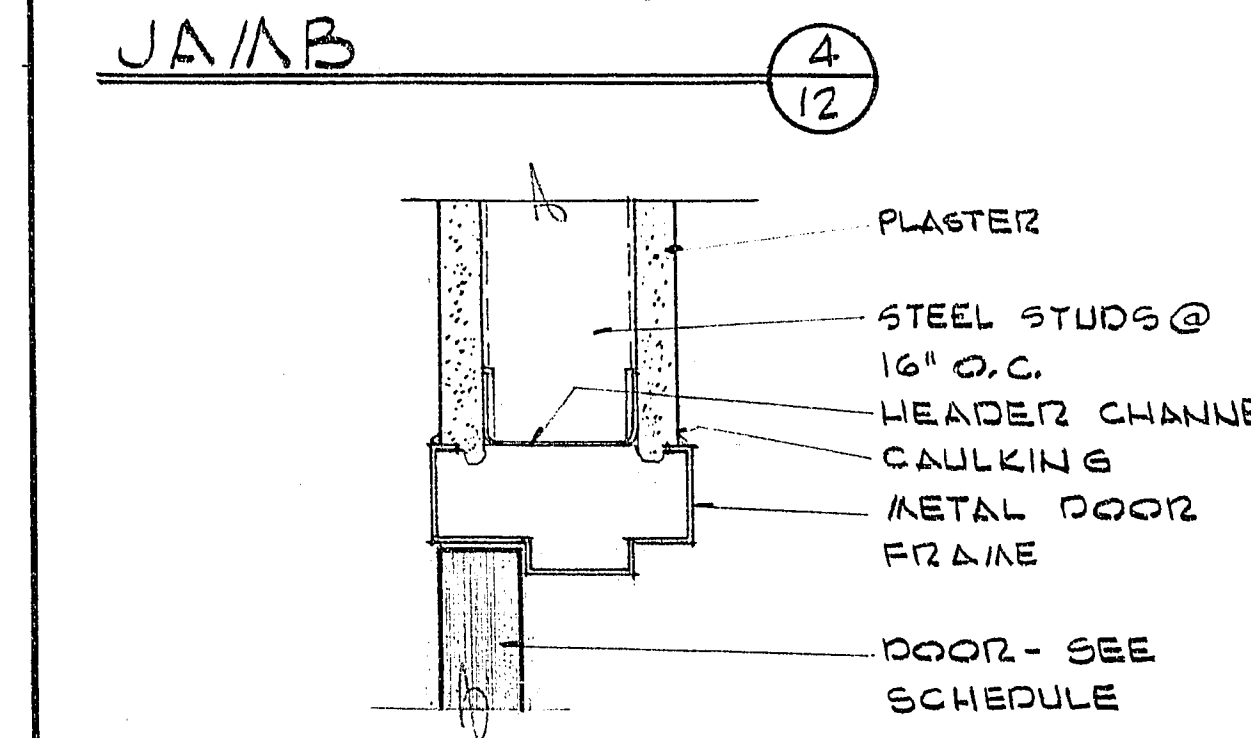
JAMB (9/12)



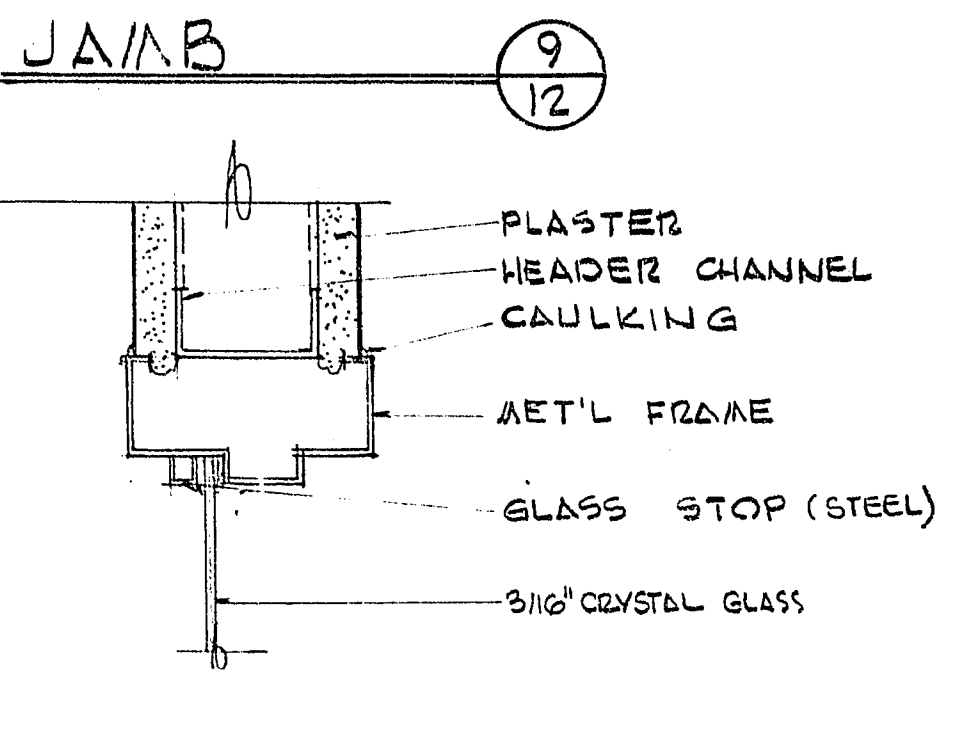
JAMB (14/12)



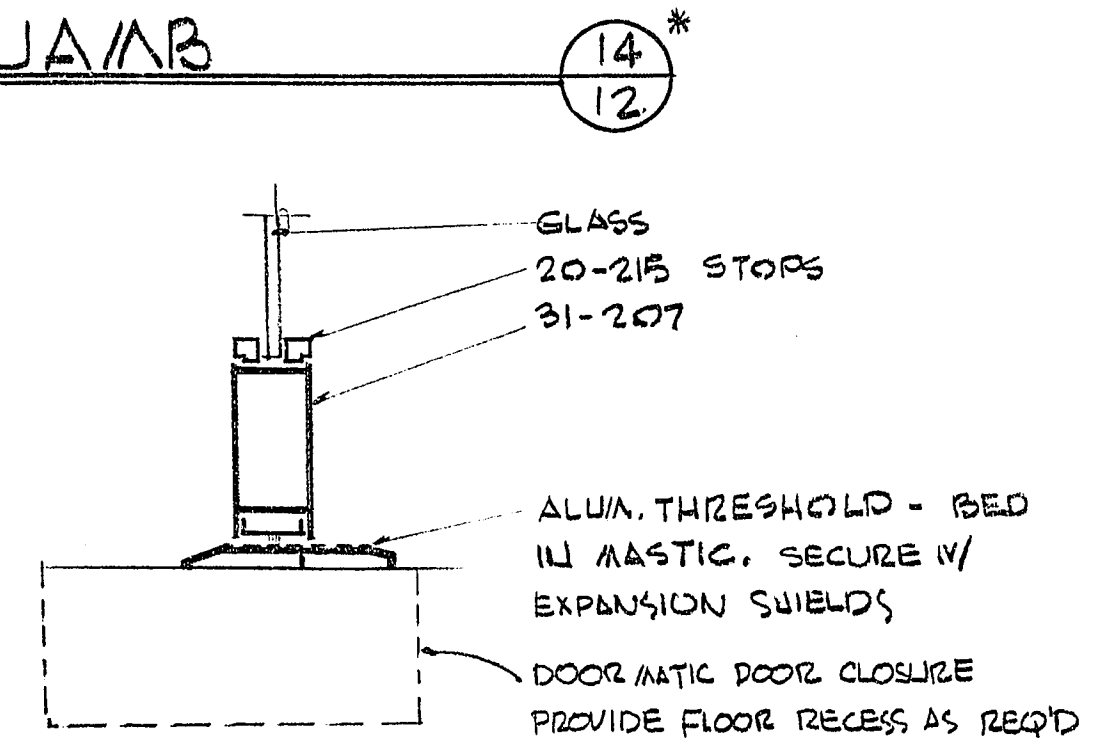
SILL (19/12)



HEAD (5/12)



HEAD (10/12)



THRESHOLD (15/12)

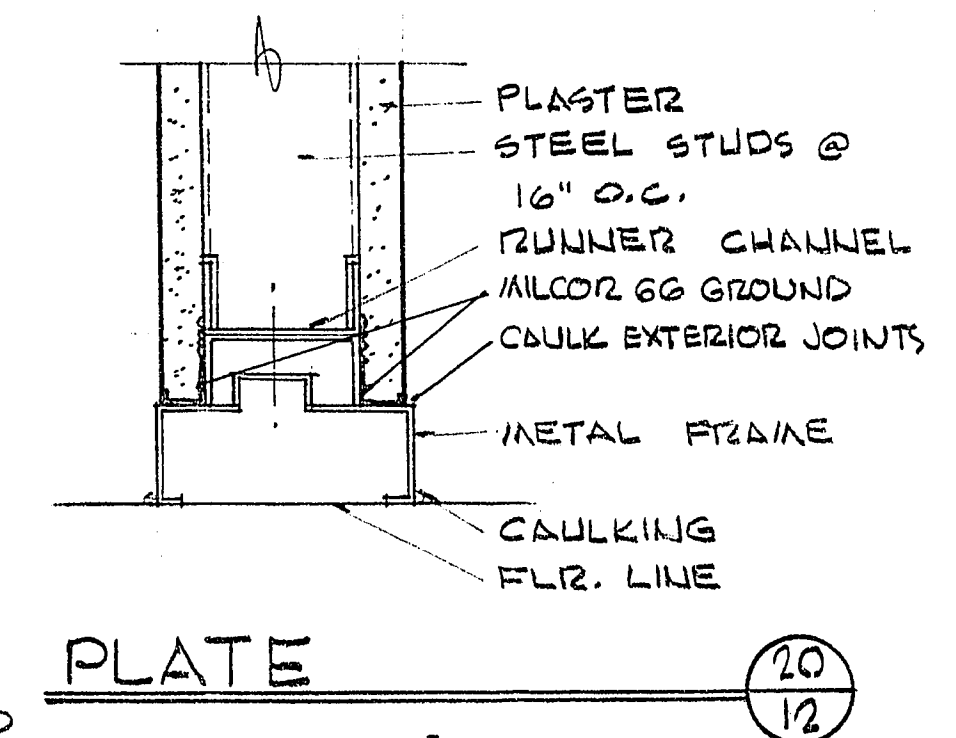
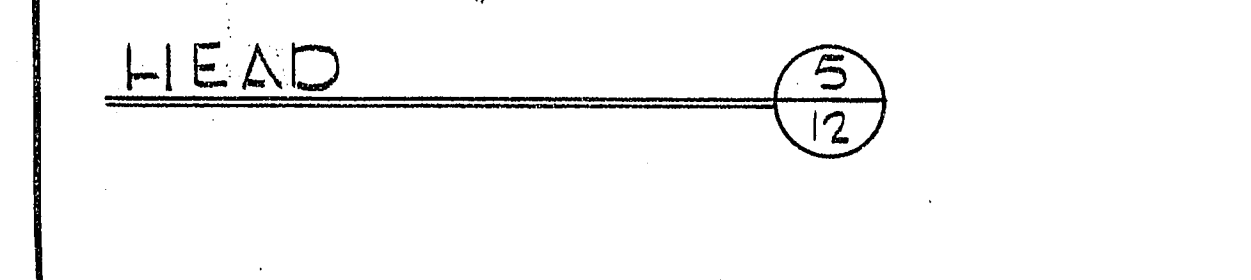
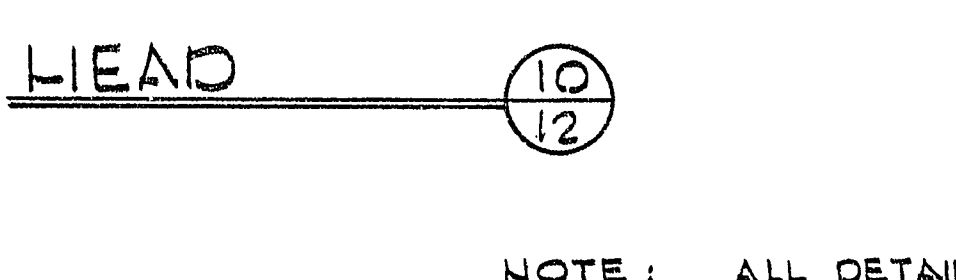


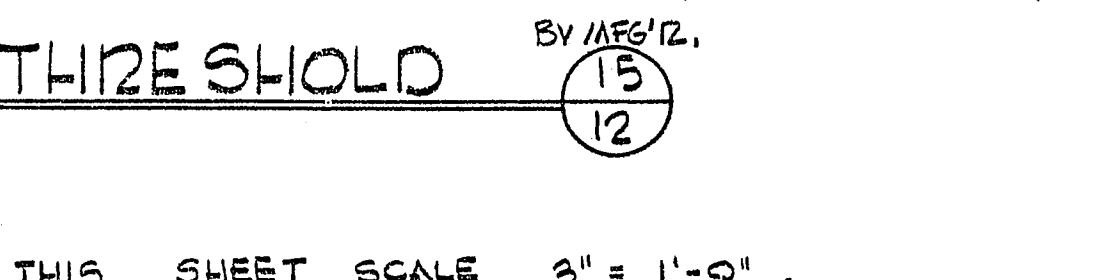
PLATE (20/12)



DETAIL (21/12) NO SCALE



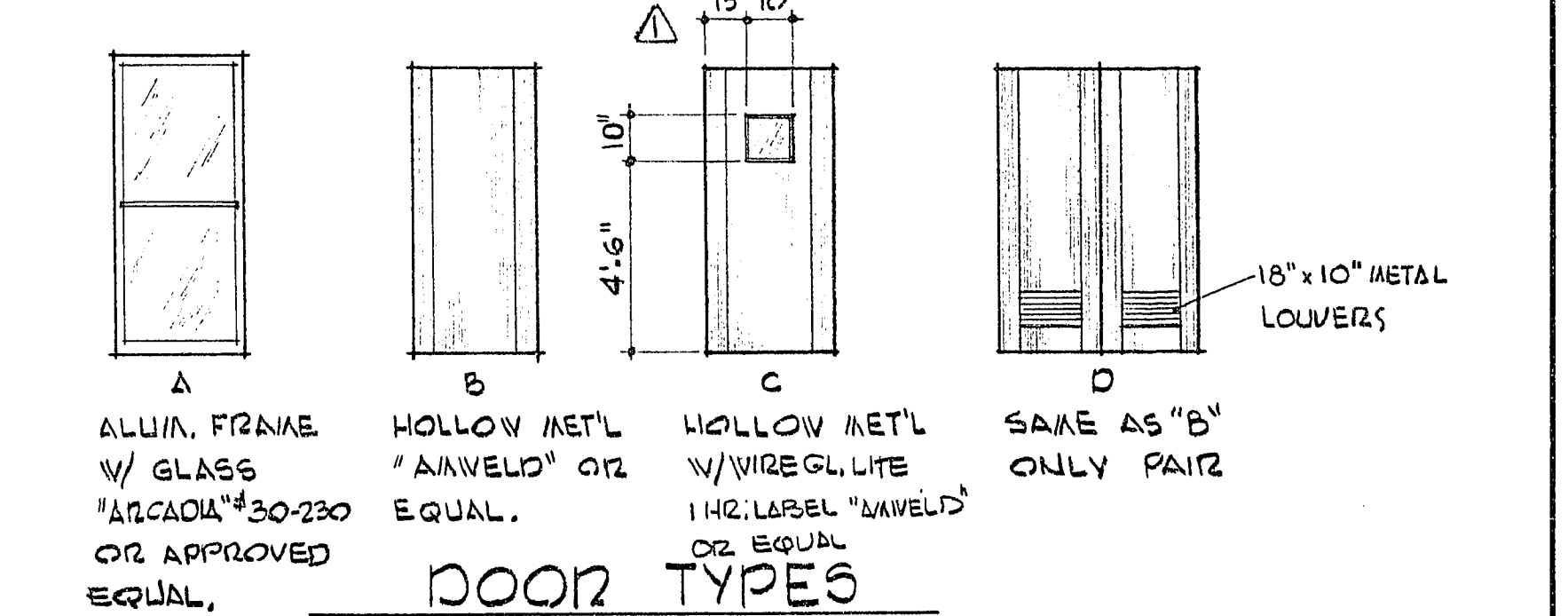
HEAD (22/12)



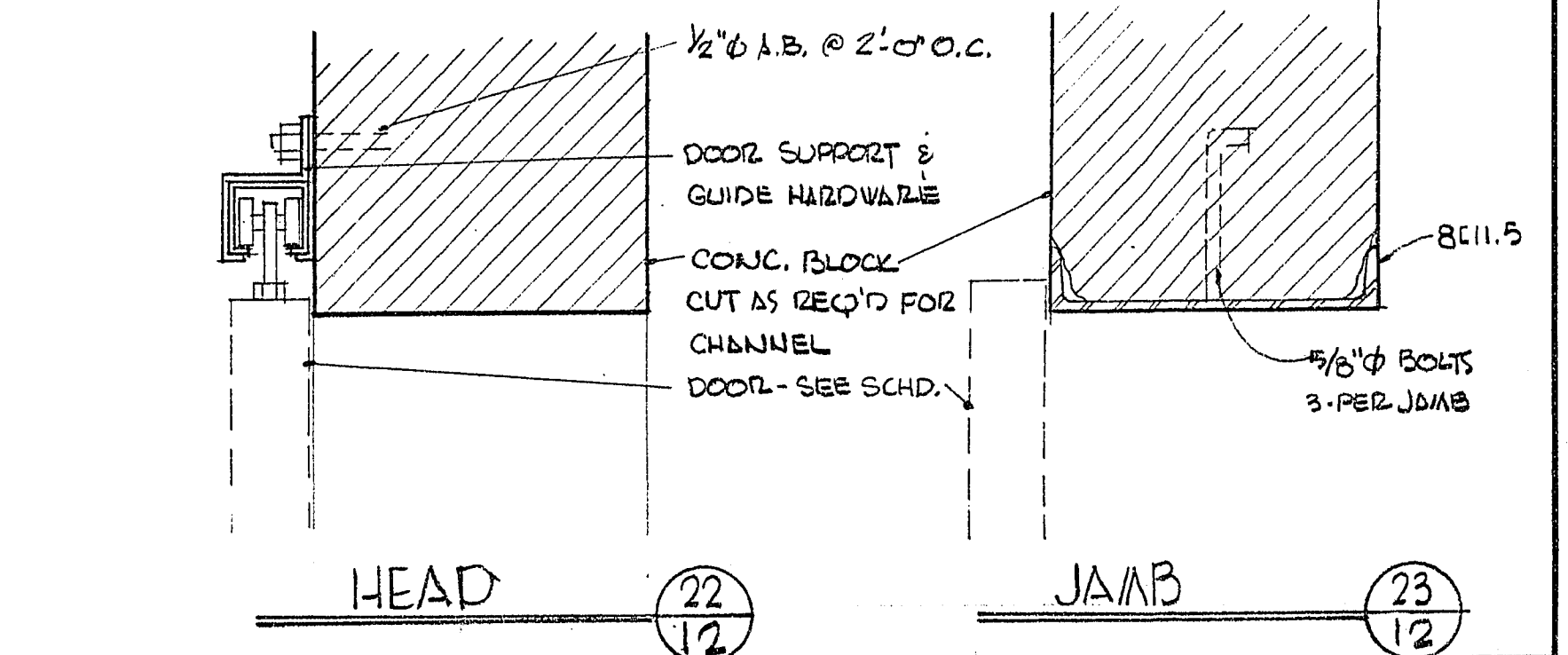
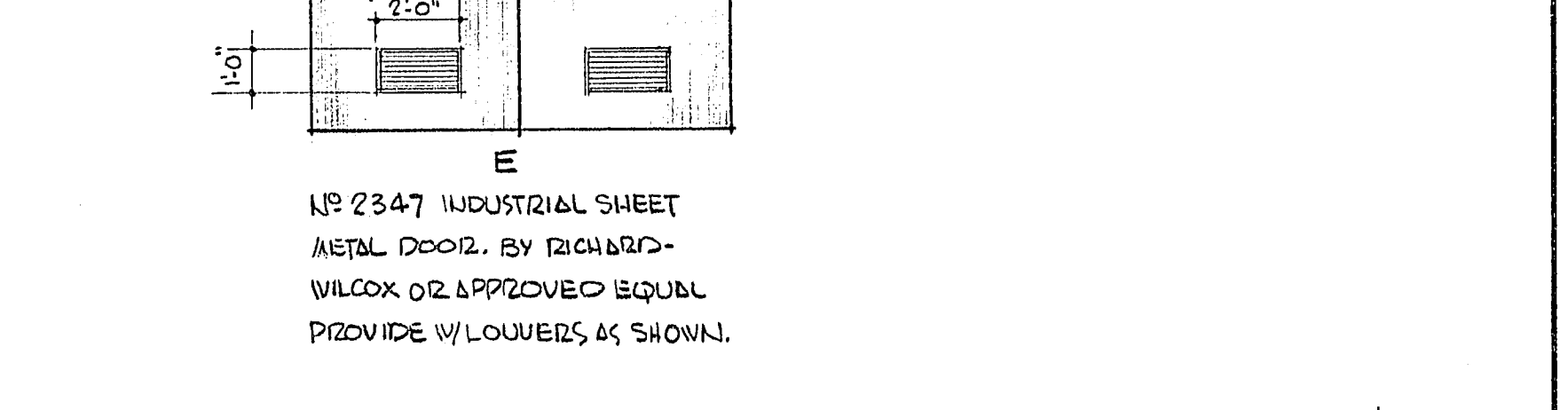
JAMB (23/12)

DOOR SCHEDULE									
DOOR NO.	TYPE	WIDTH	HEIGHT	THK.	HEAD	JAMB	THRES.	REMARKS	DOOR LEVEL
1	A	3'-0"	7'-0"		13	14	15	NARROW STYLE (SEE NOTE #2)	1
2	A	3'-0"	7'-0"		13	14	15	NARROW STYLE (SEE NOTE #2)	1
3	B	3'-0"	6'-8"	1 3/4"	5	4 & 8	3		1
4	B	2'-8"	6'-8"	1 3/4"	2	2 & 4	3		1
5	B	2'-8"	6'-8"	1 3/4"	5	6	7		1
6	E	10'-0"	8'-0"		22	23		PROVIDE ROLLING HORN & LOCKING LATCH	1
7	D	5'-0"	6'-8"	1 3/4"	2	2	7		2
8	D	5'-0"	6'-8"	1 3/4"	2	2	7		2
9	C	3'-0"	6'-8"	1 3/4"	2	2	7	PANIC HARDWARE	2
10	C	3'-0"	6'-8"	1 3/4"	2	2	7	PANIC HARDWARE	2
11	B	3'-0"	6'-8"	1 3/4"	2	2	7		4
12	B	3'-0"	6'-8"	1 3/4"	2	2	7		4
13	C	3'-0"	6'-8"	1 3/4"	1	1	7	PANIC HARDWARE	4
14	C	3'-0"	6'-8"	1 3/4"	2	2	7	PANIC HARDWARE	4
15	B	3'-0"	6'-8"	1 3/4"	2	2	7		6
16	B	3'-0"	6'-8"	1 3/4"	2	2	7		6
17	C	3'-0"	6'-8"	1 3/4"	2	2	7	PANIC HARDWARE	6
18	C	3'-0"	6'-8"	1 3/4"	2	2	7	PANIC HARDWARE	6
19	B	3'-0"	6'-8"	1 3/4"	2	2	7		8
20	B	3'-0"	6'-8"	1 3/4"	2	2	7		8
21	C	3'-0"	6'-8"	1 3/4"	1	1	7	PANIC HARDWARE	8
22	C	3'-0"	6'-8"	1 3/4"	2	2	7	PANIC HARDWARE	8
23	B	3'-0"	6'-8"	1 3/4"	2	2	7		10
24	B	3'-0"	6'-8"	1 3/4"	2	2	7		10
25	C	3'-0"	6'-8"	1 3/4"	2	2	7	PANIC HARDWARE	10
26	C	3'-0"	6'-8"	1 3/4"	2	2	7	PANIC HARDWARE	10

NOTES: 1. PAINT ALL DOORS & METAL JAMBS
2. PROVIDE DOOR MATIC DOOR CLOSURES
3. ALL PRESSED STEEL DOOR FRAMES SHALL BE GROUT FILLED



*NOTE: PROVIDE VINYL WEATHERSTRIPPING SIZE AS REQ'D.



THE DESIGNS AND IDEAS INDICATED BY THESE DRAWINGS WERE CREATED FOR USE ON THIS PROJECT ONLY AND ARE THE PROPERTY OF EDWARD B. HENDRICKS ASSOC. THEY MAY NOT BE USED FOR ANY OTHER PURPOSE WHATSOEVER WITHOUT THE WRITTEN PERMISSION OF THE OFFICE OF EDWARD B. HENDRICKS ASSOCIATES.

EDWARD B. HENDRICKS ASSOCIATES
ARCHITECTURE • PLANNING • ENGINEERING
E. B. HENDRICKS A.I.A.
FRED L. KENNEDY
G. L. JACOBSON

537 E. SAHARA AVE.
LAS VEGAS, NEVADA
PHONE • 753-0902

MUNICIPAL PARKING GARAGES DOOR SCHEDULE & DETAILS
CITY OF LAS VEGAS NEVADA
CARSON SITE
DIRECTOR OF PUBLIC WORKS

DATE 9-8-66 SHEET 12 OF 12
JOB NO. 12 I.D. 23
DRAWN BY CLARK
DATE BY J.C. ADD. #1 REV. REVISIONS

6/65 DIETRICH-POST CLEARPRINT 1002-8