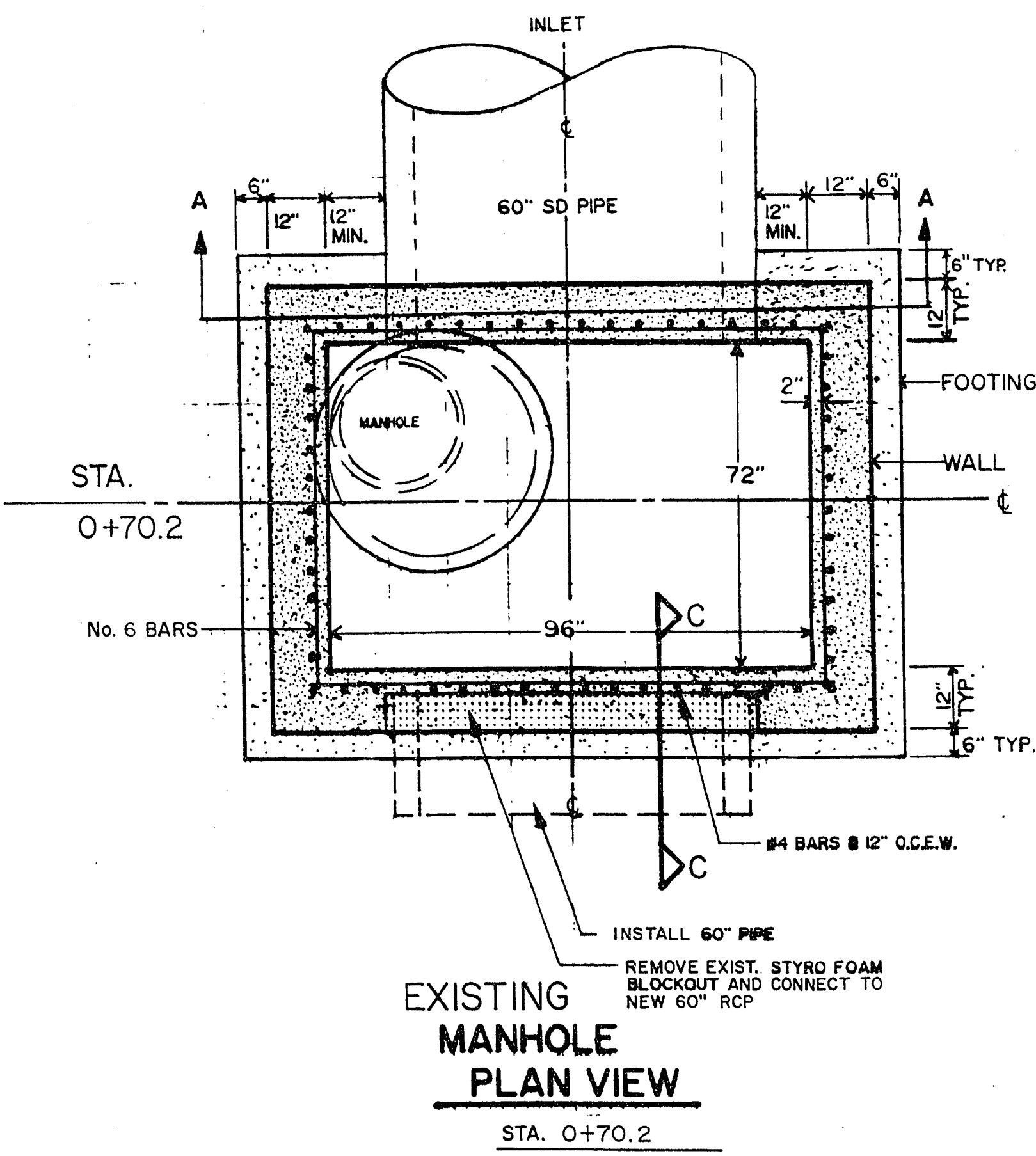


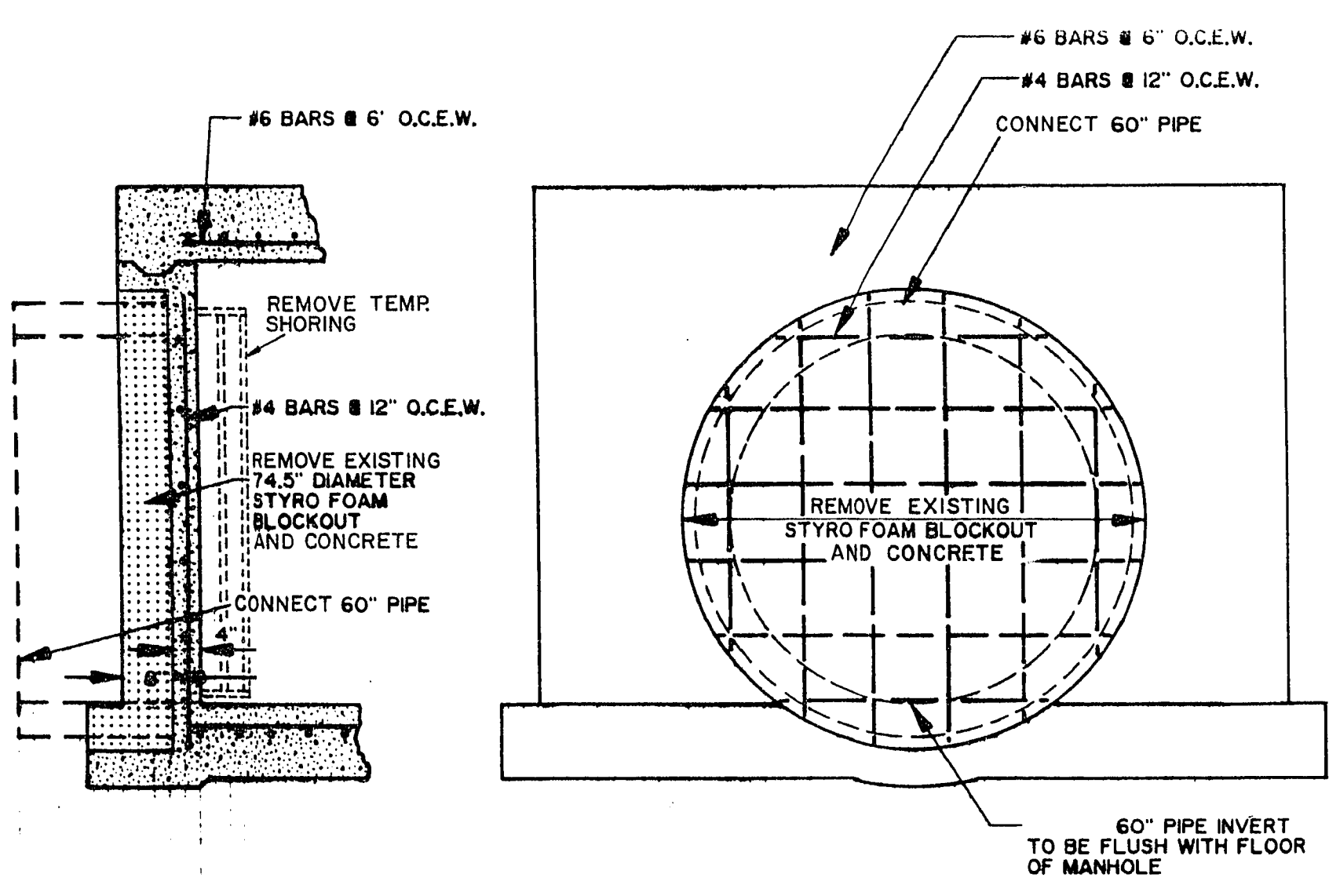
NOTE:
CLEAN ALL EXISTING DROP INLETS,
LATERALS AND STORM DRAIN LINES
FROM SLAYTON TO JONES

AS-BUILT	9-17-94
W.A.	Date
Scale (V)	Drawn by
Scale (h)	Design by
Fid. bk. no.	Approved by



**EXISTING
MANHOLE
PLAN VIEW**

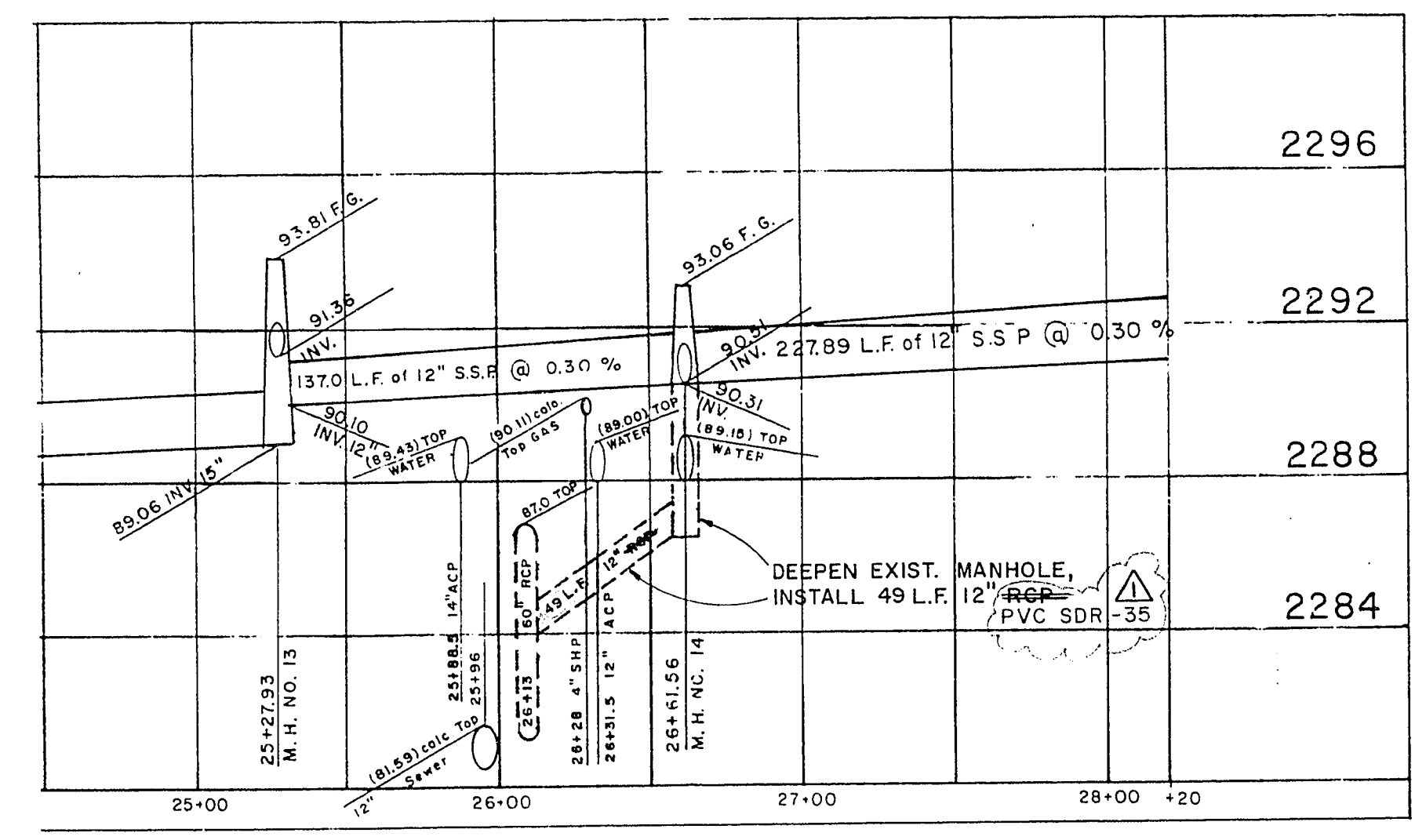
STA. 0+70.2



**SECTION C-C
BLOCKOUT**

**EXISTING
MANHOLE
ELEVATION**

STA. 0+70.2



**SECTION D-D
SEE SHT. 5**

Department of Public Works
STORM DRAIN CONNECTION
BID ITEM NO. #31

**MEADOWS DETENTION BASIN
PHASE V
STREET and DRAINAGE
IMPROVEMENTS**

