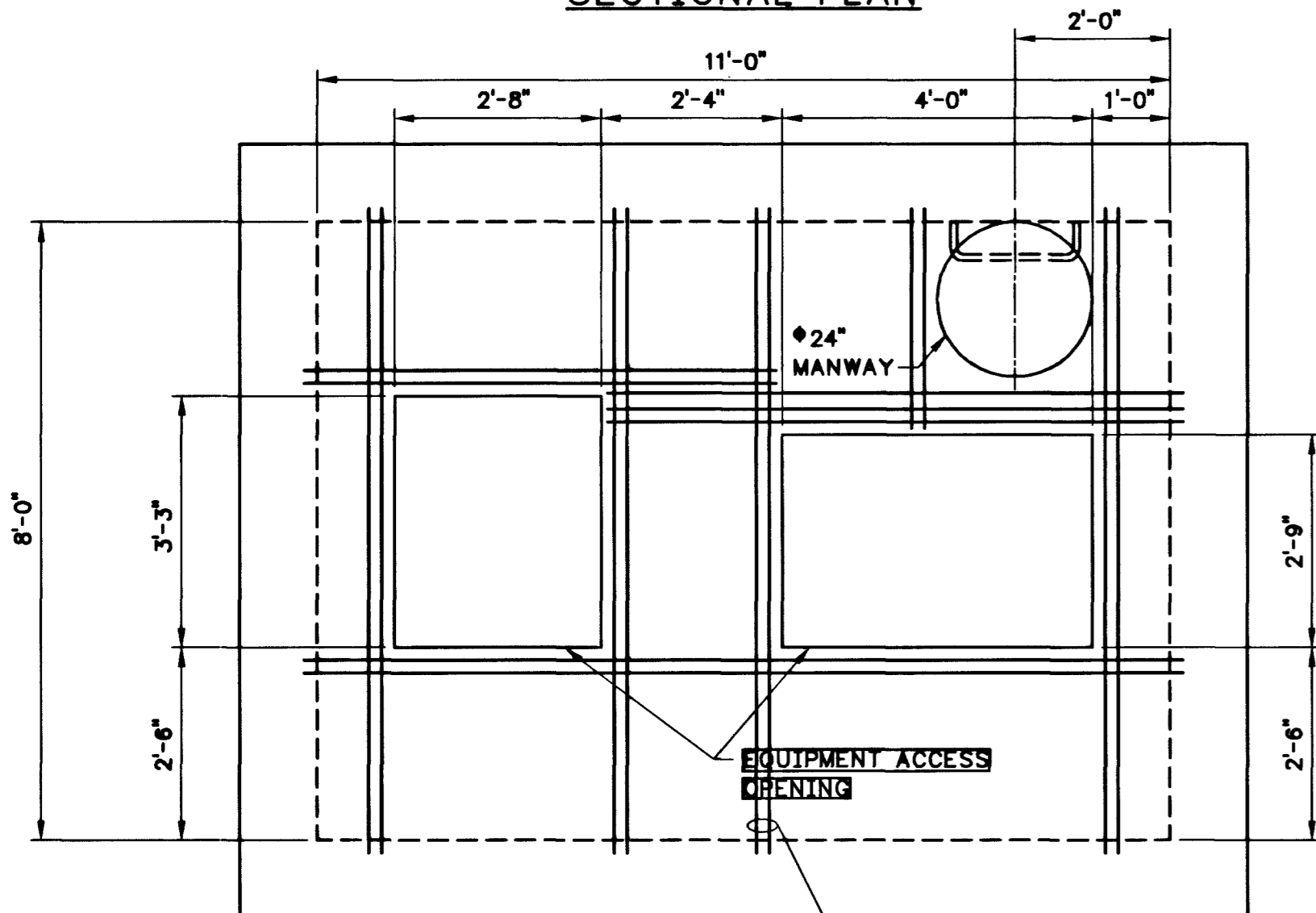
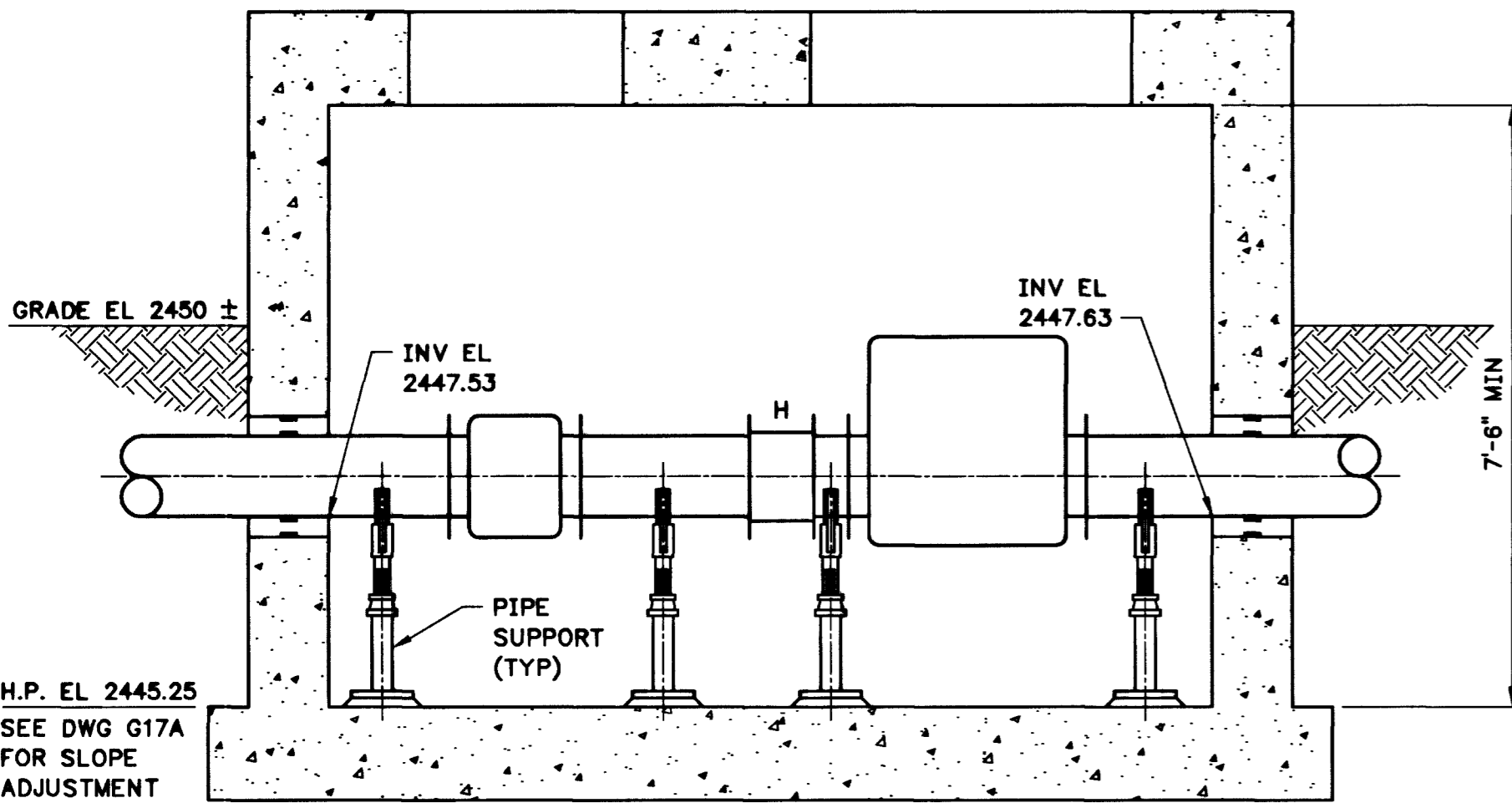


SECTIONAL PLAN

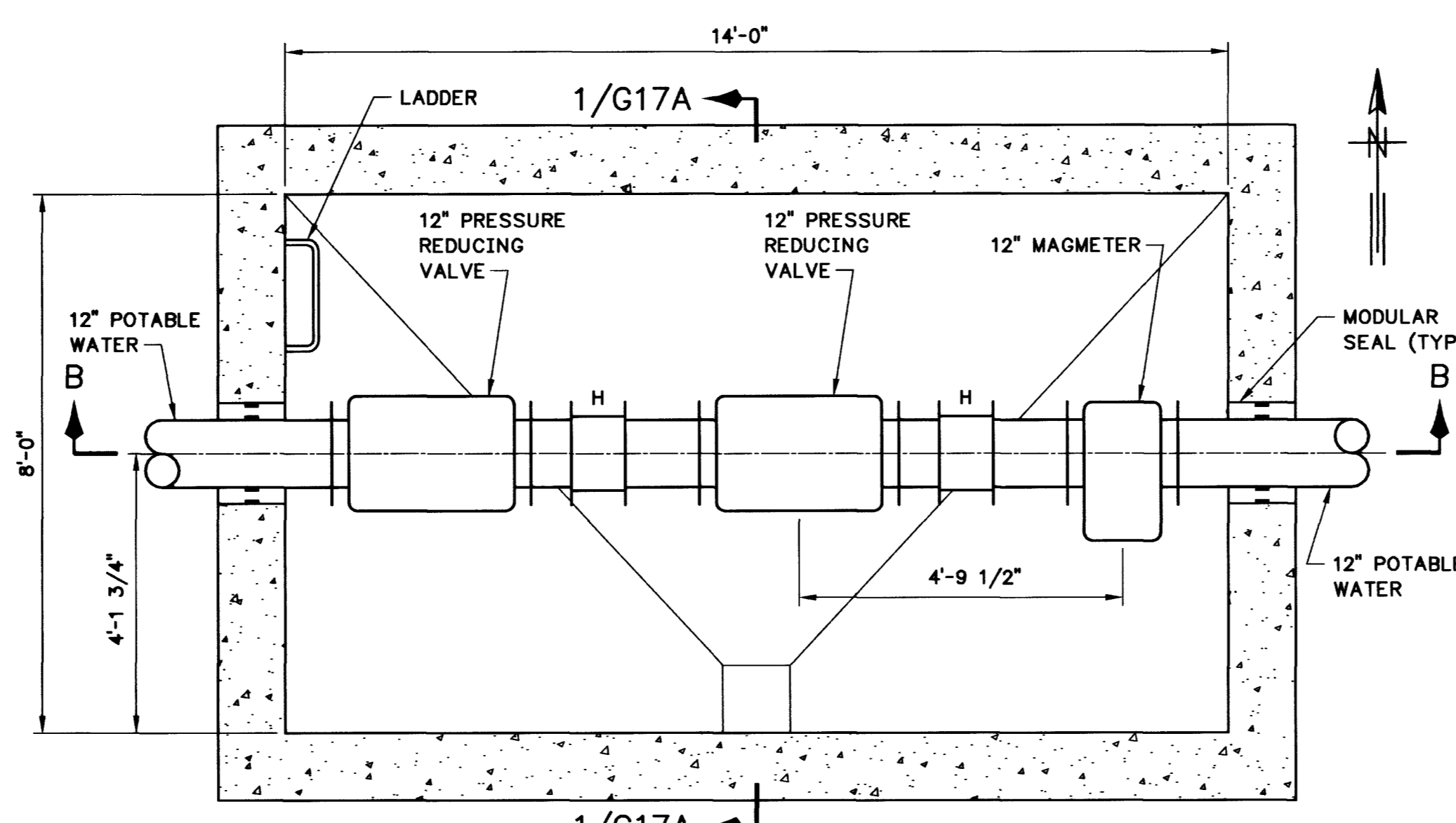


TOP PLAN

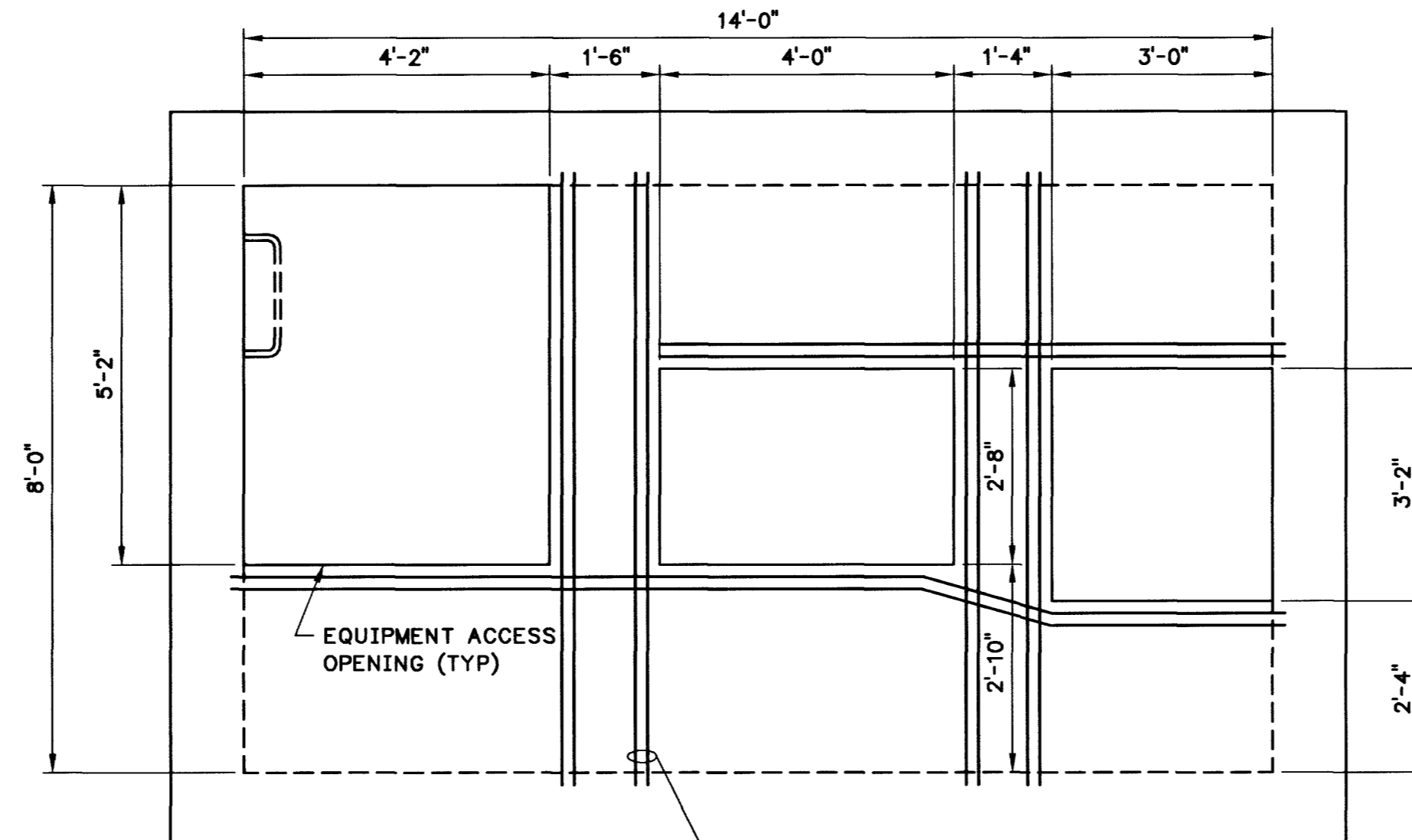


SECTION A-A

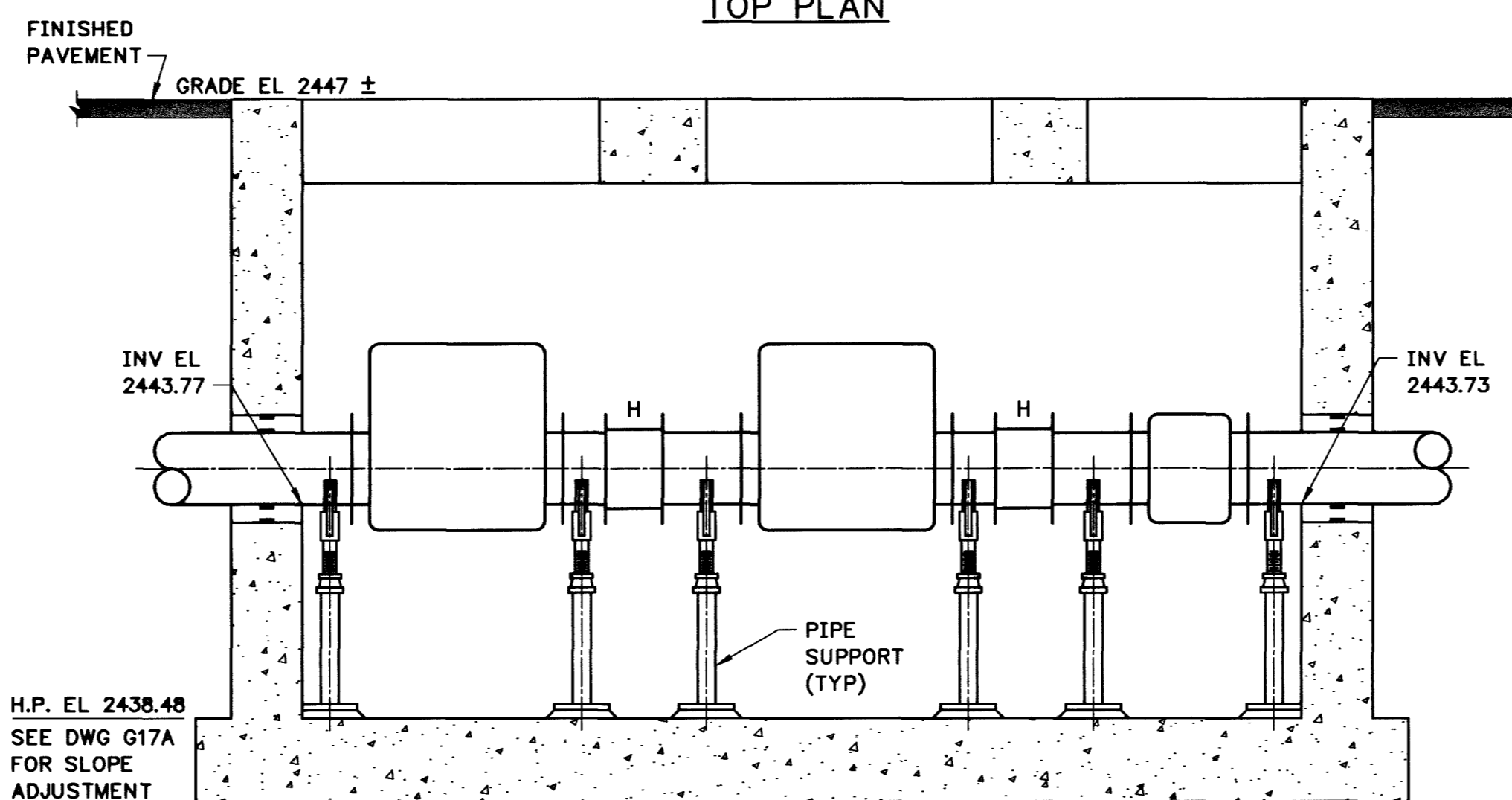
DETAIL 1/G13,G26
12" LOW PRESSURE METER/VALVE VAULT
SCALE: 1/2" = 1'-0"



SECTIONAL PLAN

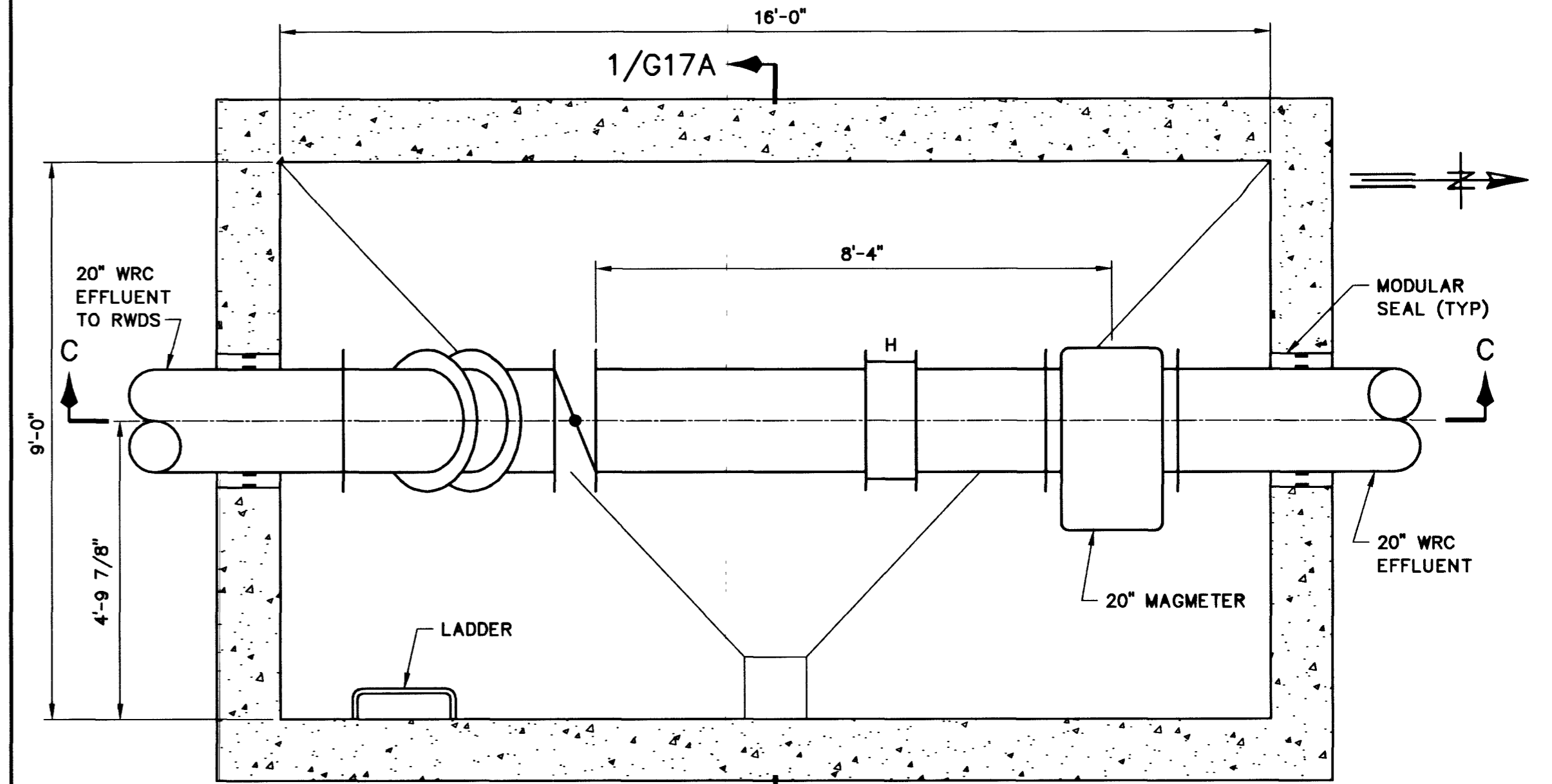


TOP PLAN

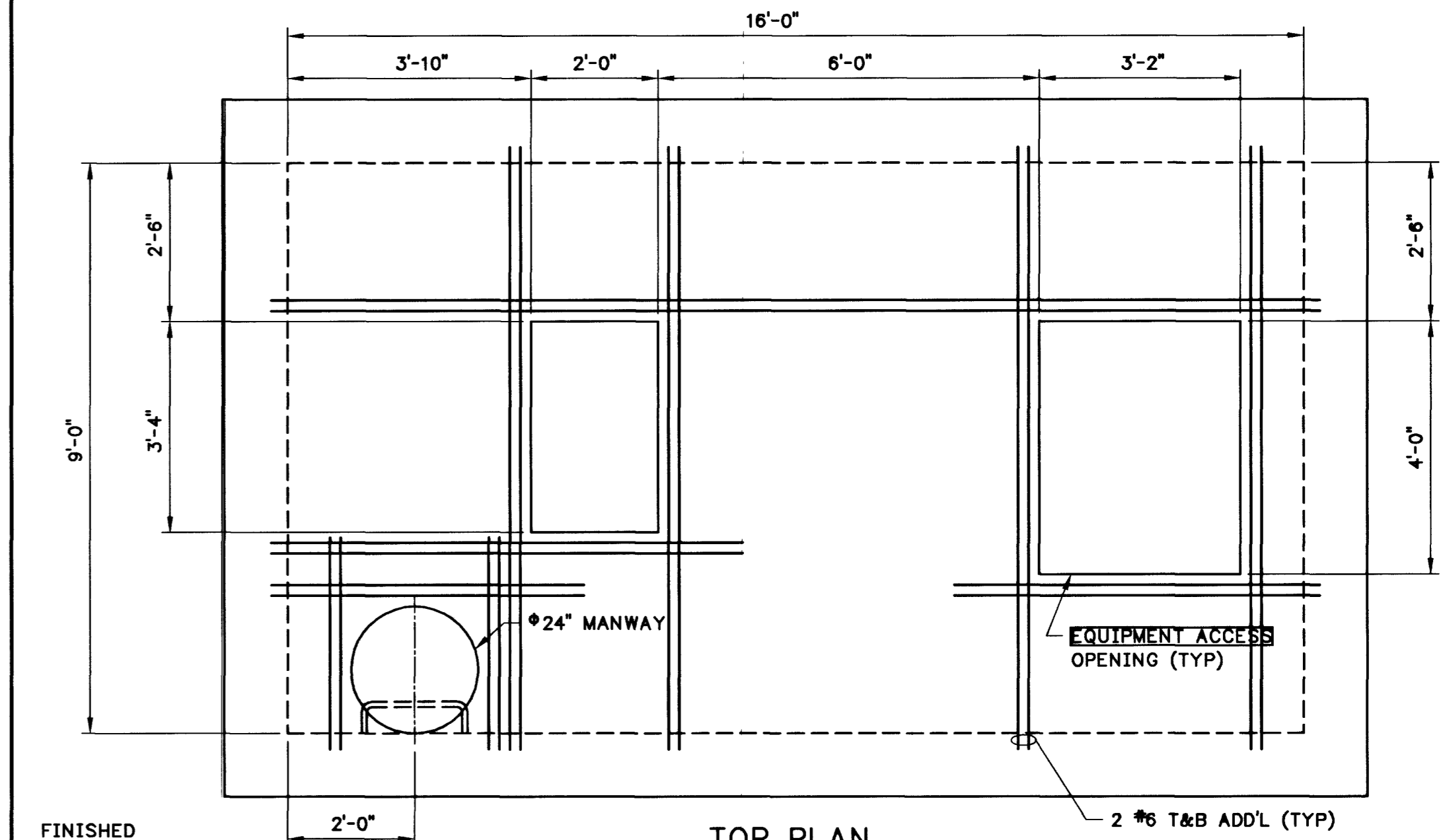


SECTION B-B

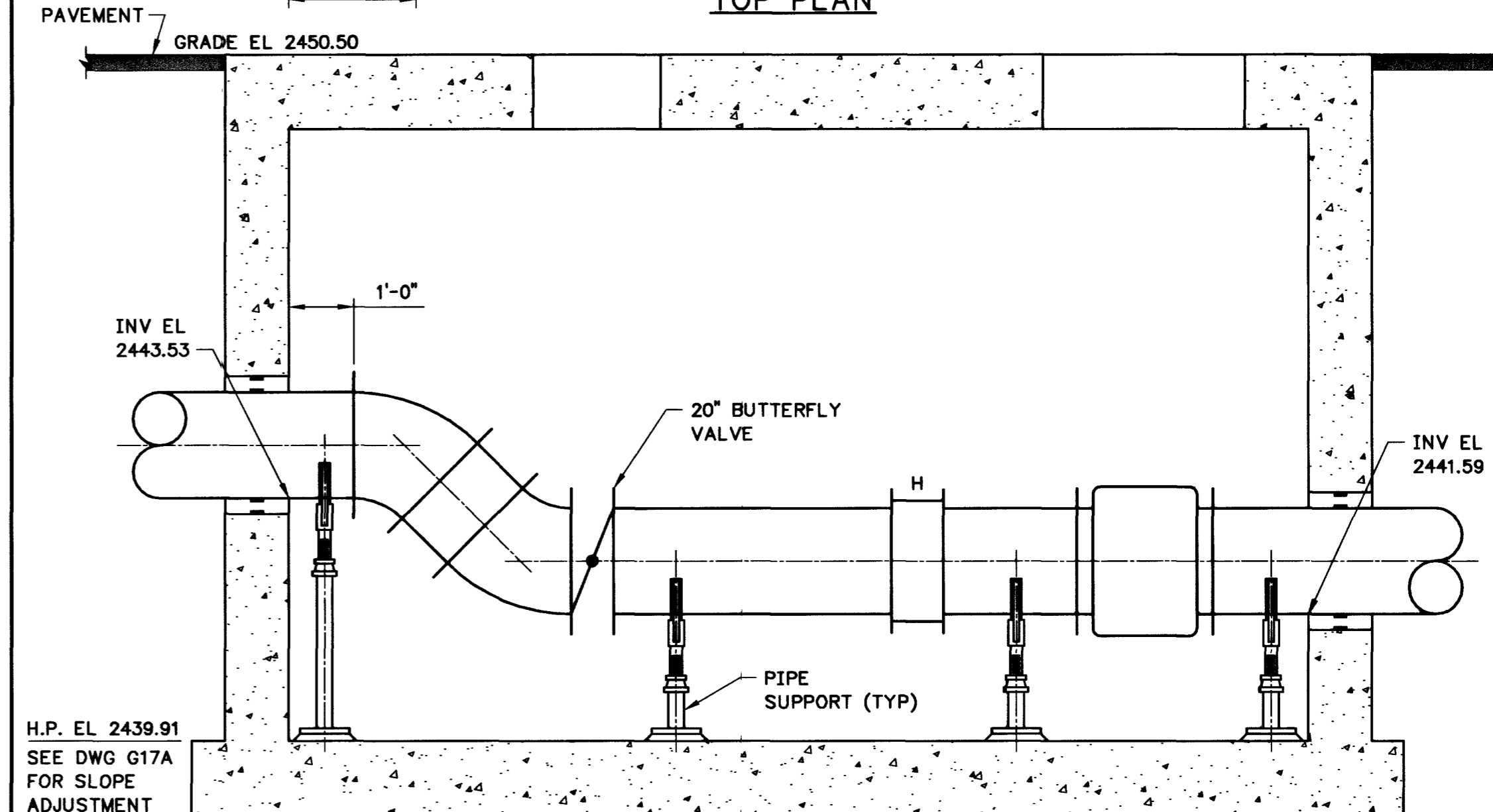
DETAIL 2/G13,G26
12" HIGH PRESSURE METER/VALVE VAULT
SCALE: 1/2" = 1'-0"



SECTIONAL PLAN



TOP PLAN



SECTION C-C

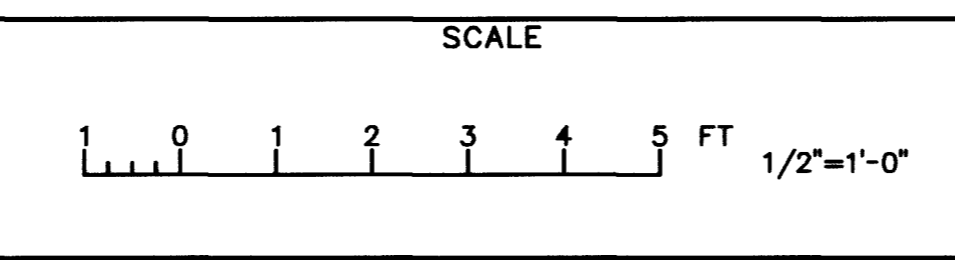
DETAIL 3/G13,G23 - WRC EFFLUENT METER VAULT
SCALE: 1/2" = 1'-0"

KLEIN AND HOFFMAN, INC.
CONSULTING ENGINEERS
4625 SOUTH POLARIS AVENUE, SUITE 214
LAS VEGAS, NV 89103 (702) 736-8343

GREELEY AND HANSEN
ENGINEERS
4625 SOUTH POLARIS AVENUE, SUITE 210
LAS VEGAS, NV 89103 (702) 736-7062
41987

DESIGNED	JSC, MJP	APPROVED	
DRAWN	RJS		
CHECKED	JWW		

NO.	DATE	APPD.	REVISION
1	12/14/98	JWW	CHANGED VAULTS TO CAST IN PLACE BY ADDENDUM 4



CITY OF LAS VEGAS, NEVADA
DEPARTMENT OF PUBLIC WORKS
NORTHWEST WATER RESOURCE CENTER (WRC)

GENERAL
YARD PIPING DETAILS

PROJ. NO.	1215
DWG	G17
SHEET	17 OF 216
DATE	OCTOBER 1998
REV	1

RECORD DRAWING

FILE: 121UG17R 1:1 07/02/01 13:08 GH-A