

NO.	DATE	BY	REVISION
1	11-24-92	PC	REV. CONFORMANCE TO 20 AND 22 DATE SHEET
2	11-29-92	PC	REV. ADDITIONAL NOTES
3	12-10-92	E.A.	REV. SEWER LINE TO MATCH NEW STREET
4	1-13-93	E.A.	REV. ADJUST-OF-WAY TIE TO GATE

ES ENGINEERS AND ARCHITECTS INC.  
 708 W. CHRISTIAN BLVD.  
 SUITE 100  
 SAN JOSE, CA 95128  
 (415) 281-1111

APN# 450-070-072

21.92

Submitted by: [Signature]

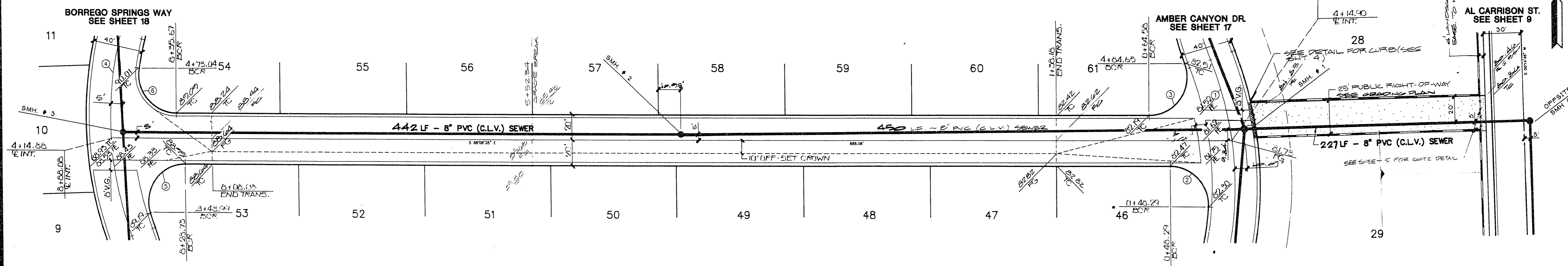
**CURVE DATA TABLE**

No.	RADIUS	DELTA	LENGTH	TANGENT
1	270.50'	37°29'56"	177.04'	91.82'
2	30.00'	93°57'57"	49.20'	32.15'
3	30.00'	110°13'47"	57.72'	43.03'
4	270.50'	34°14'48"	161.68'	83.34'
5	30.00'	107°08'29"	56.08'	40.62'
6	30.00'	99°10'07"	51.92'	35.23'

**QUANTITY ESTIMATE**

2" ASPHALTIC CONCRETE ----- 3,122 SY.  
 30" ROLL TYPE CURB & GUTTER ----- 1,543 LF.  
 8" CONCRETE VALLEY GUTTER ----- 1,268 SF.

THESE QUANTITIES ARE ONLY ESTIMATES, CONTRACTOR TO VERIFY.



**BENCHMARK**

B.M. = C.L.V. # 1LV004SES  
 FOUND NAIL IN TAG IN TOP OF CURB AT THE  
 NORTHWEST QUADRANT OF BUFFALO DRIVE & ALEXANDER  
 ROAD.  
 ELEVATION = 2339.57'

**GRANITE MOUNTAIN LANE**

CLARK COUNTY  
 DEPARTMENT OF PUBLIC WORKS  
 ENGINEERING DIVISION

ACCEPTANCE OF PLANS FOR FILING  
 BY: [Signature]

ACCEPTANCE OF THESE PLANS FOR  
 FILING SHALL NOT CONSTITUTE TO  
 BE A PERMIT FOR OR AN APPROVAL  
 OF ANY VIOLATION OF ANY OF THE  
 PROVISIONS OF THE STATE OR COUNTY  
 LAWS AND/OR SPECIFICATIONS. CLARK  
 COUNTY SHALL BE HELD FREE FROM  
 DAMAGES WHICH MAY RESULT FROM  
 THE CONSTRUCTION OF THE IMPROVE-  
 MENTS FROM THE ENGINEERING DESIGN  
 DEPICTED HEREON.

NOTE:  
 POWER POLES AND/OR OTHER EXISTING  
 FACILITIES NOT IN PROPER LOCATION  
 BASED ON PROPOSED IMPROVEMENTS  
 SHOWN HEREON WILL BE RELOCATED  
 AT NO EXPENSE TO CLARK COUNTY.

Call  
 before you  
 Dig.  
 1-800-227-2600  
 (WORKING SINCE 1994)

W.O. # :	010 - A585
BY :	CHAO/B.L.G.
DATE :	SEPT. 1992
SCALE :	HORIZ. 1"=40' VERT. 1"=4'
SHEET	15
OF 28 SHEETS	

19-26-30 3074-4243