

GENERAL NOTES

1. PIPE LENGTHS AND SLOPES ARE CALCULATED FROM CENTER OF MH TO CENTER OF MH

BENCHMARK

BM#2LV023258. RIVET AND PLATE IN TOP OF CURB NORTHEAST RETURN MARION AND CHANTILLY. ELEV: 1750.4444 NAVD 88.

UTILITY DISCLAIMER

UTILITY LOCATIONS SHOWN HEREON ARE APPROXIMATE ONLY. IT SHALL BE THE CONTRACTOR'S RESPONSIBILITY TO DETERMINE THE EXACT VERTICAL AND HORIZONTAL LOCATION OF ALL EXISTING UNDERGROUND UTILITIES PRIOR TO COMMENCING CONSTRUCTION. NO REPRESENTATION IS MADE THAT ALL EXISTING UTILITIES ARE SHOWN HEREON. THE ENGINEER AND THE CITY OF LAS VEGAS ASSUMES NO RESPONSIBILITY FOR UTILITIES NOT SHOWN OR UTILITIES NOT SHOWN IN THEIR PROPER LOCATION.

BASIS OF BEARING (B.O.B.)

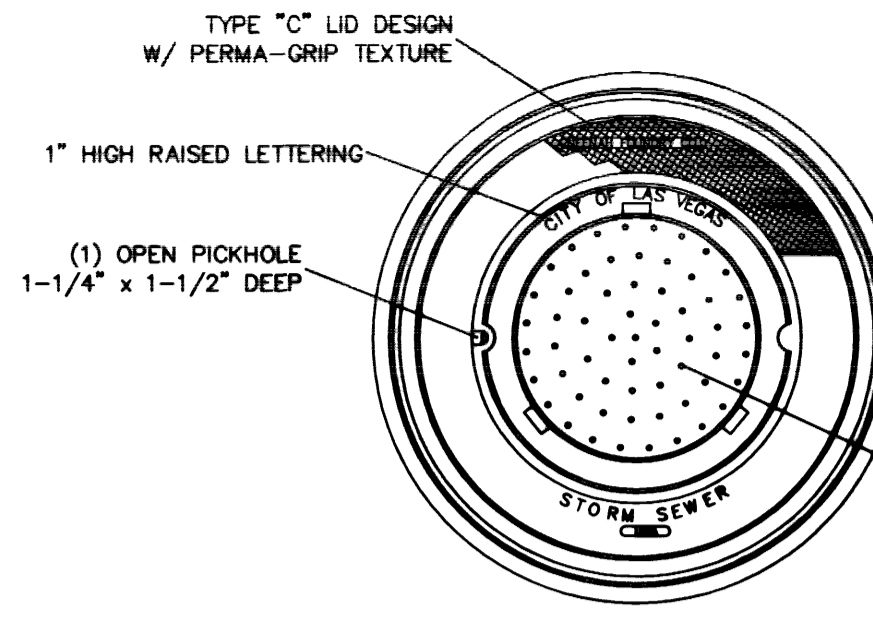
S 73° 49' 13" E BEING THE CENTERLINE OF CHANTILLY AVENUE AS SHOWN IN BOOK 20 PAGE 69 OF PLATS AT THE CLARK COUNTY RECORDERS OFFICE.

CURVE TABLE

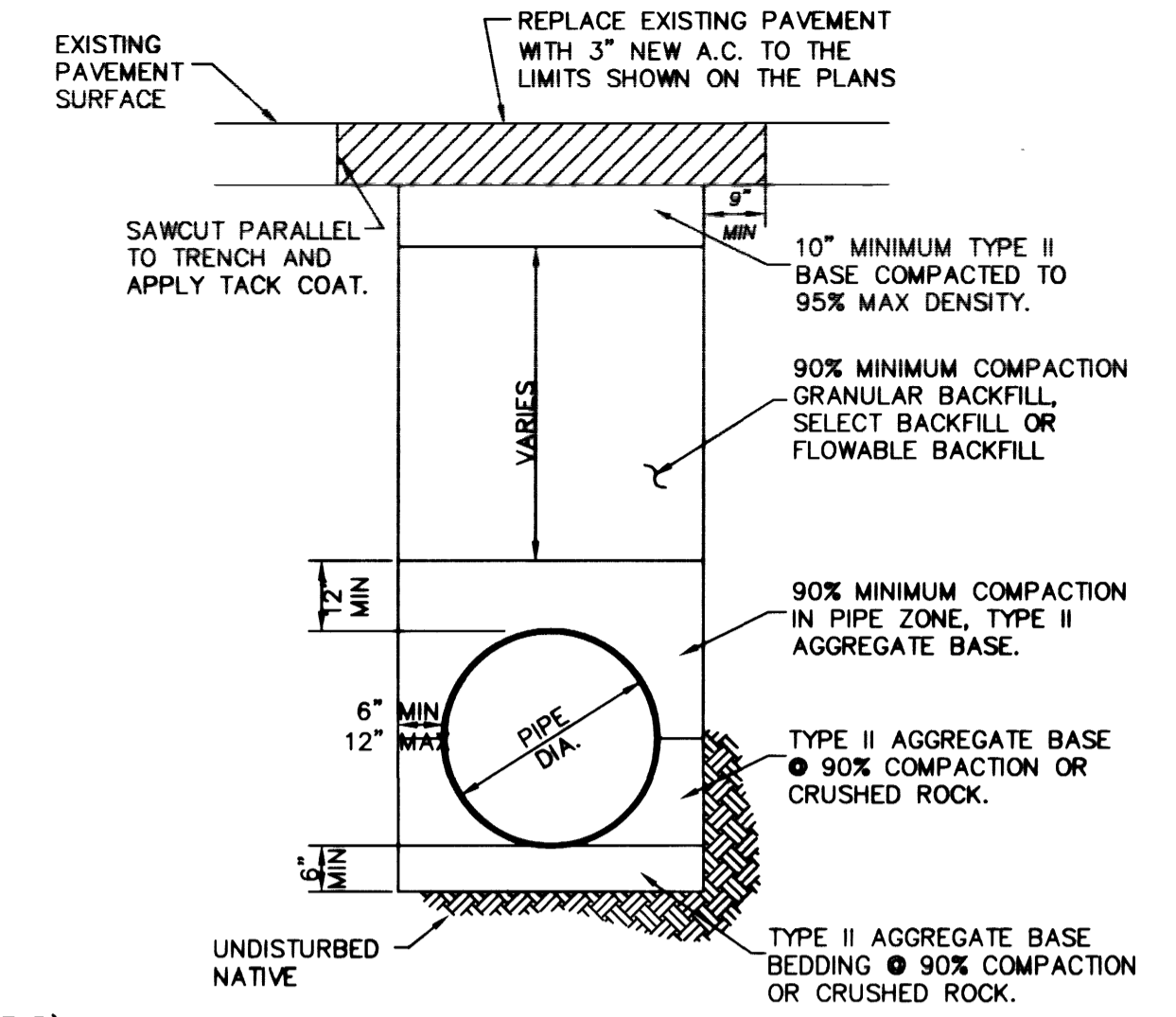
CURVE	RADIUS	LENGTH	TANGENT	DELTA
C2	510.89'	99.82'	50.08'	111°11'46"
C3	510.89'	4.34'	2.17'	0°29'14"
C4	517.72'	152.54'	76.83'	16°52'55"

LINE TABLE

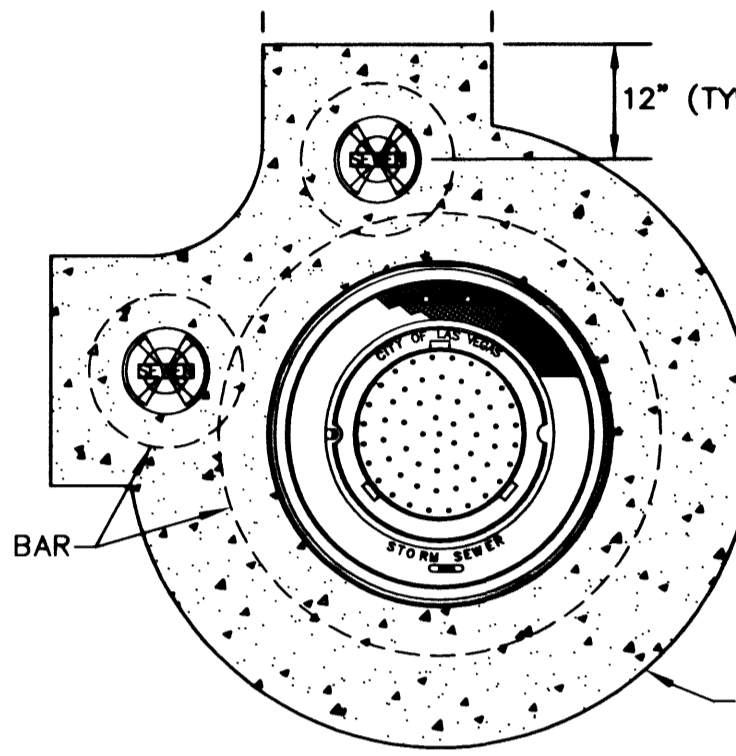
LINE	LENGTH	BEARING	COMMENT
L1	510.89'	S73°49'13"E	B.O.B.
L2	510.89'	S62°09'15"E	2.17'



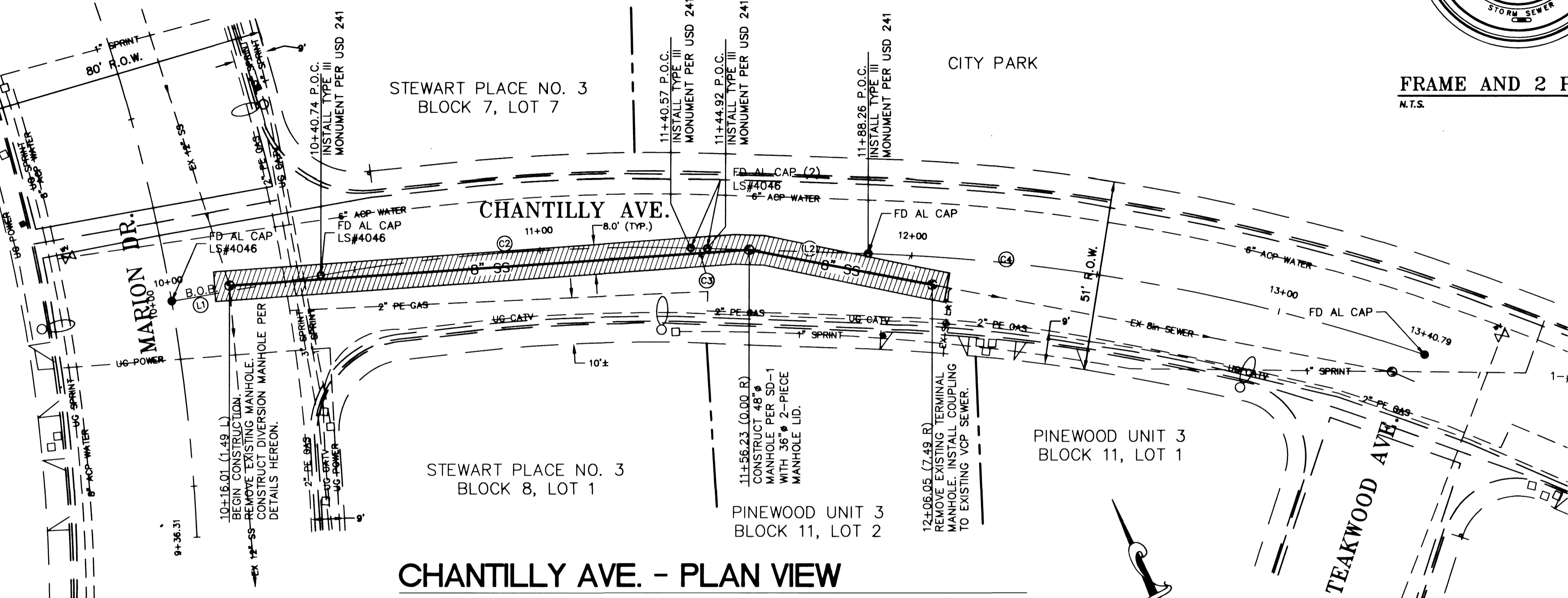
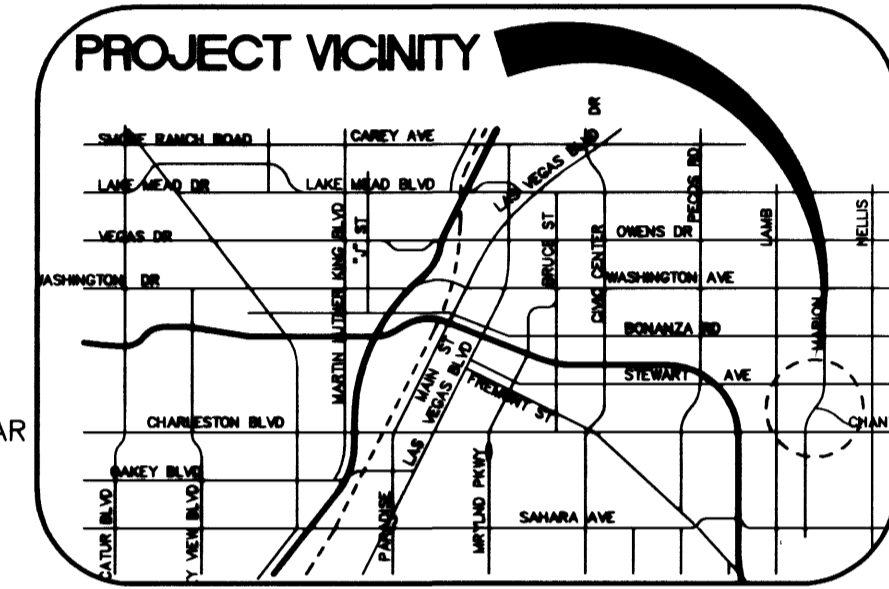
FRAME AND 2 PC. LID
N.T.S.



TYPICAL TRENCH SECTION
N.T.S.

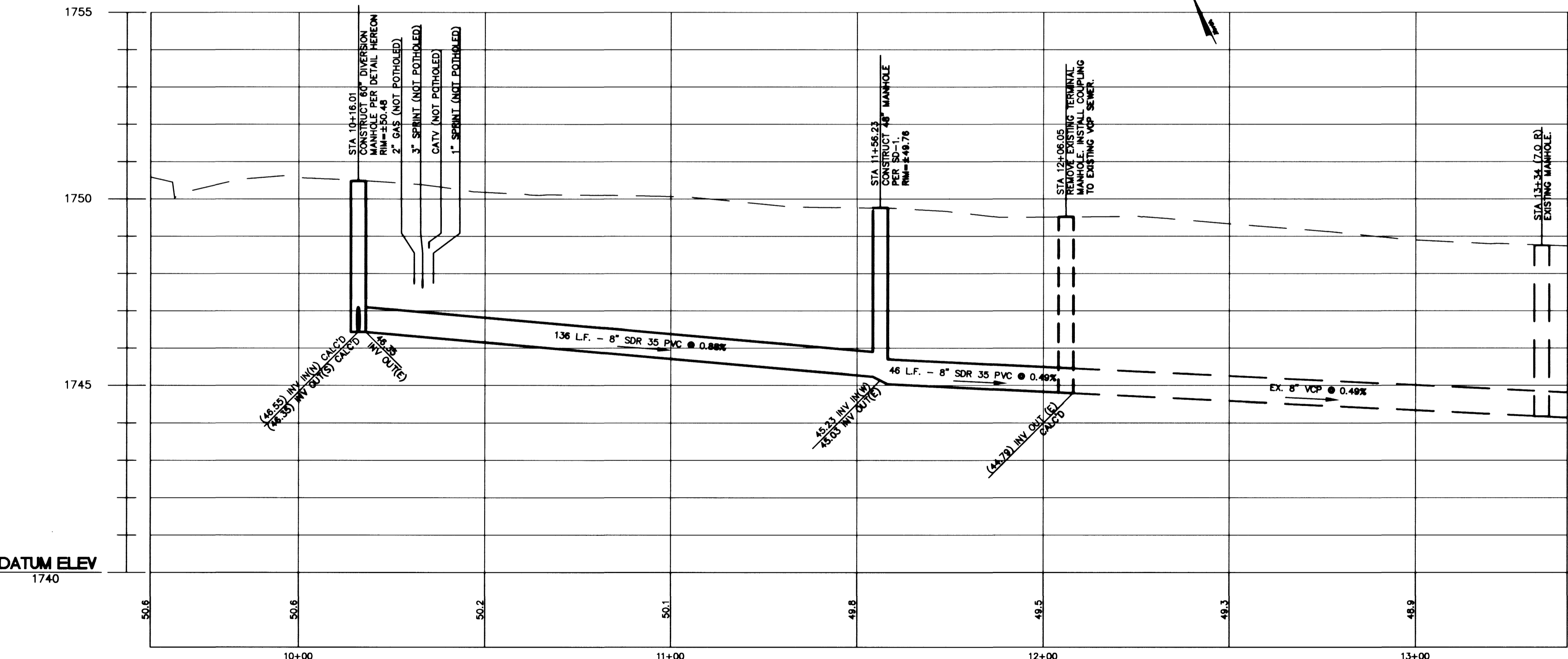


CONC. COLLAR DETAIL



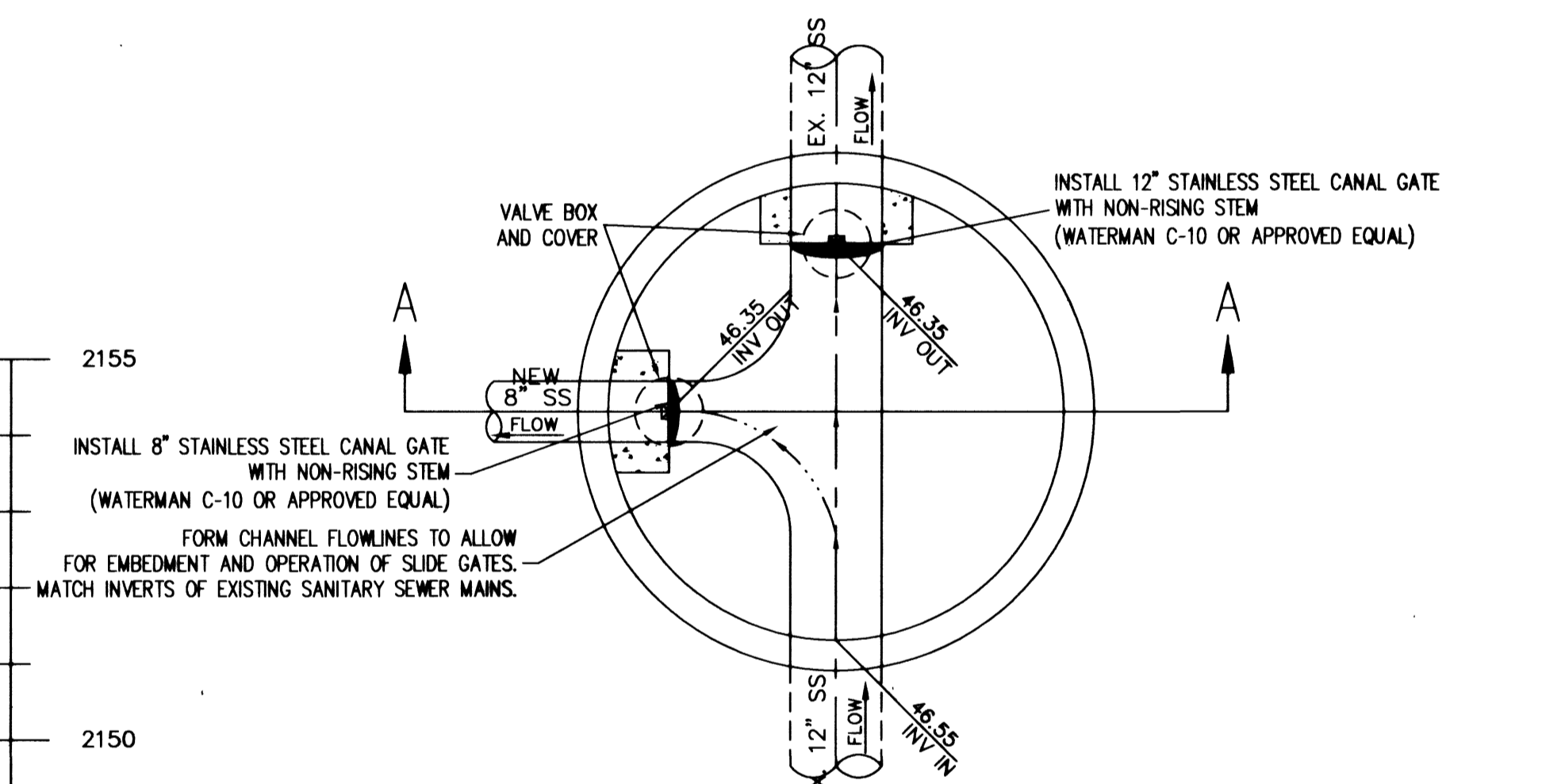
CHANTILLY AVE. - PLAN VIEW

HORIZ. SCALE: 1"=20'
VERT. SCALE: N/A

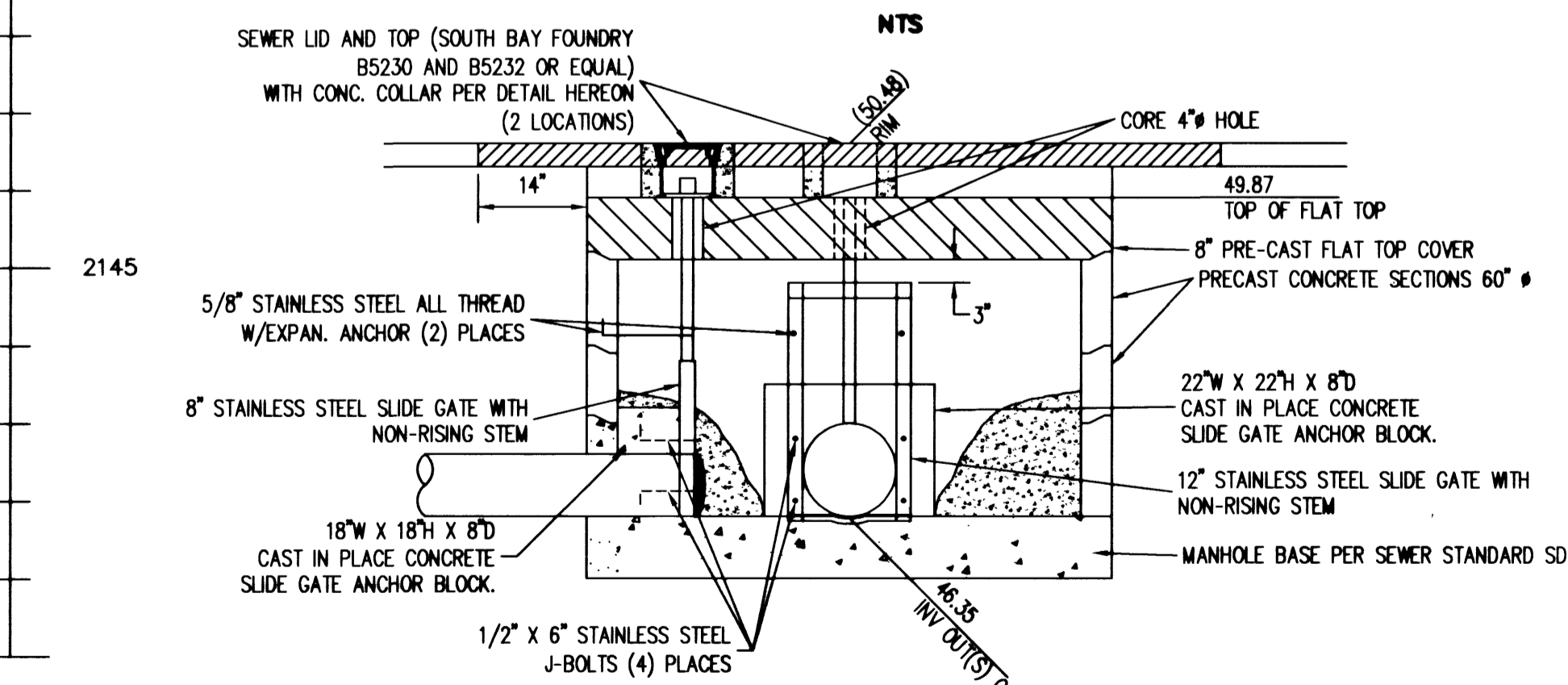


CHANTILLY AVE. - PROFILE

HORIZ. SCALE: 1"=20'
VERT. SCALE: 1"=2'



CONTROL MANHOLE - BASE DETAIL
N.T.S.



SECTION A-A
N.T.S.

NOTE:

1. NEW 60" MANHOLE PER DRAWING SD-1 OF SEWER STANDARDS.
2. BACKFILL STRUCTURE WITH TYPE II AGGREGATE BASE OR FLOWABLE FILL.
3. ALL HARDWARE TO BE STAINLESS STEEL.

DEPARTMENT OF PUBLIC WORKS
ENGINEERING DESIGN SECTION
CITY ENGINEER: CHARLIE KAJKOWSKI, P.E.
PROJECT MANAGER: THERESA HANCAHAN, P.E.
DESIGNED BY: MAS
DRAWN BY: MAS
CHECKED BY: EON
DATE: 03/01/00
HORIZONTAL SCALE: 1"=20'
VERTICAL SCALE: N/A

NELLIS BLVD. SEWER
CHANTILLY AT MARION DIVERSION MANHOLE

Sheet **11B**
11B of 11
DRAWING NO. **307-V784A**
BID# **00.1730.27**

26087