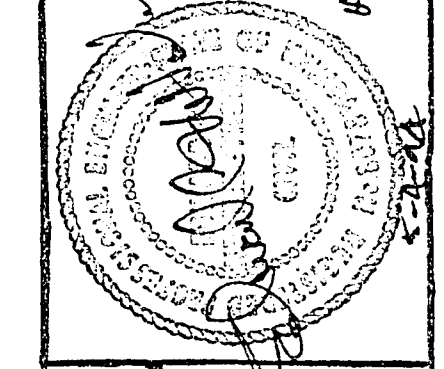
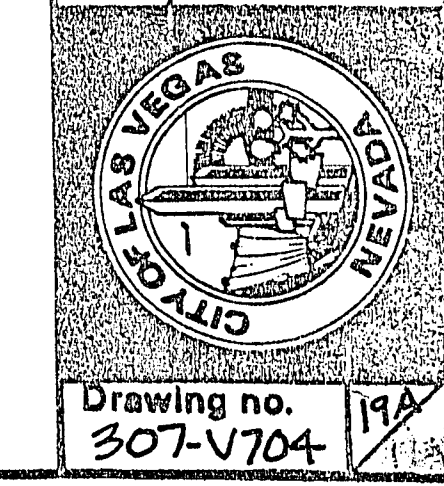


Revisions	Date

W.A.	
Scale (V) 1" = 1'-0"	Date
Scale (H) 1" = 1'-0"	Date
Fid. bk. no.	
Design by	
Drawn by	
Approved by	Date
ADD SHEET TO DRAWING SET.	



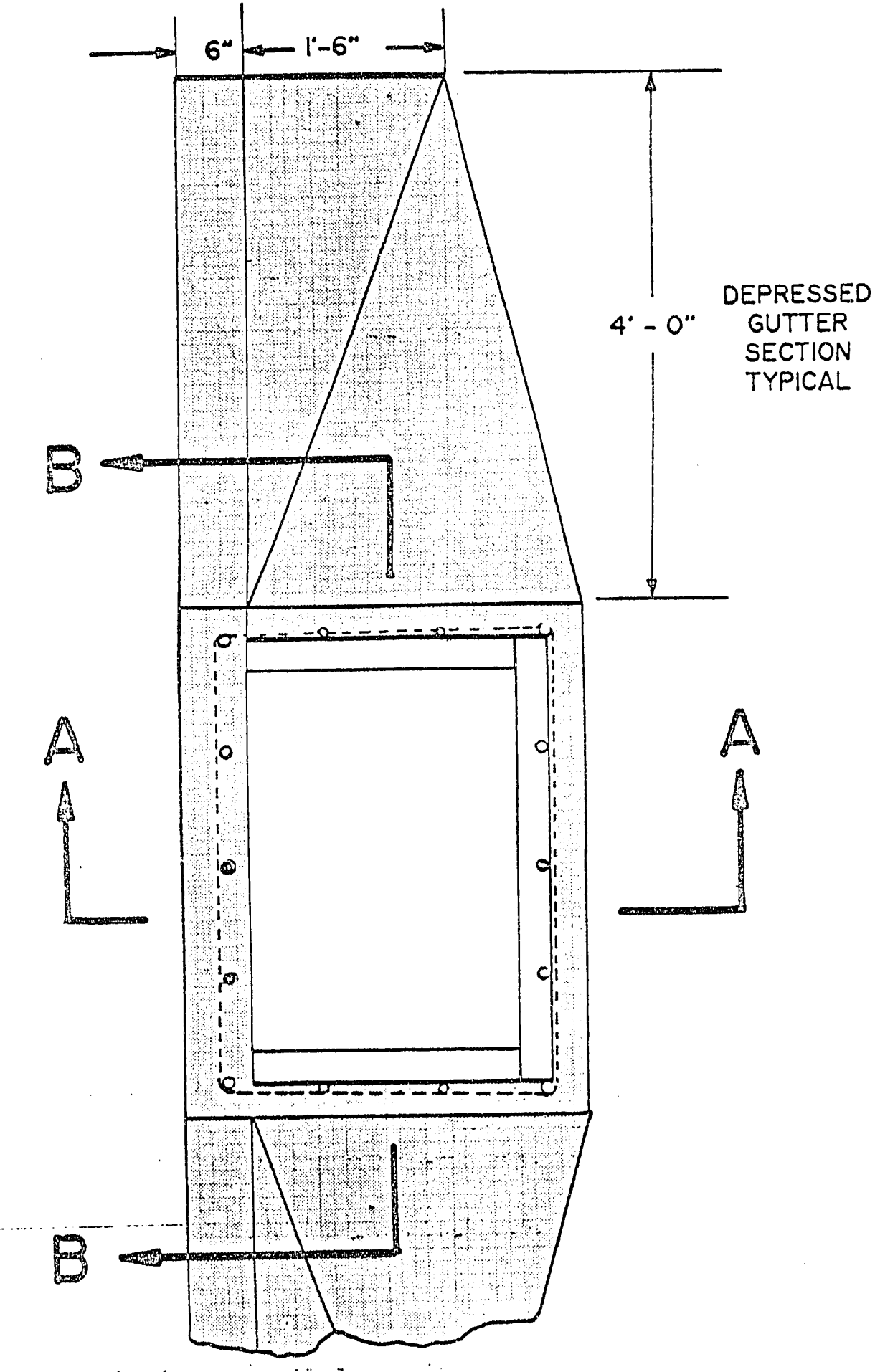
Department of Public Works  
 STORM DRAIN DETAILS



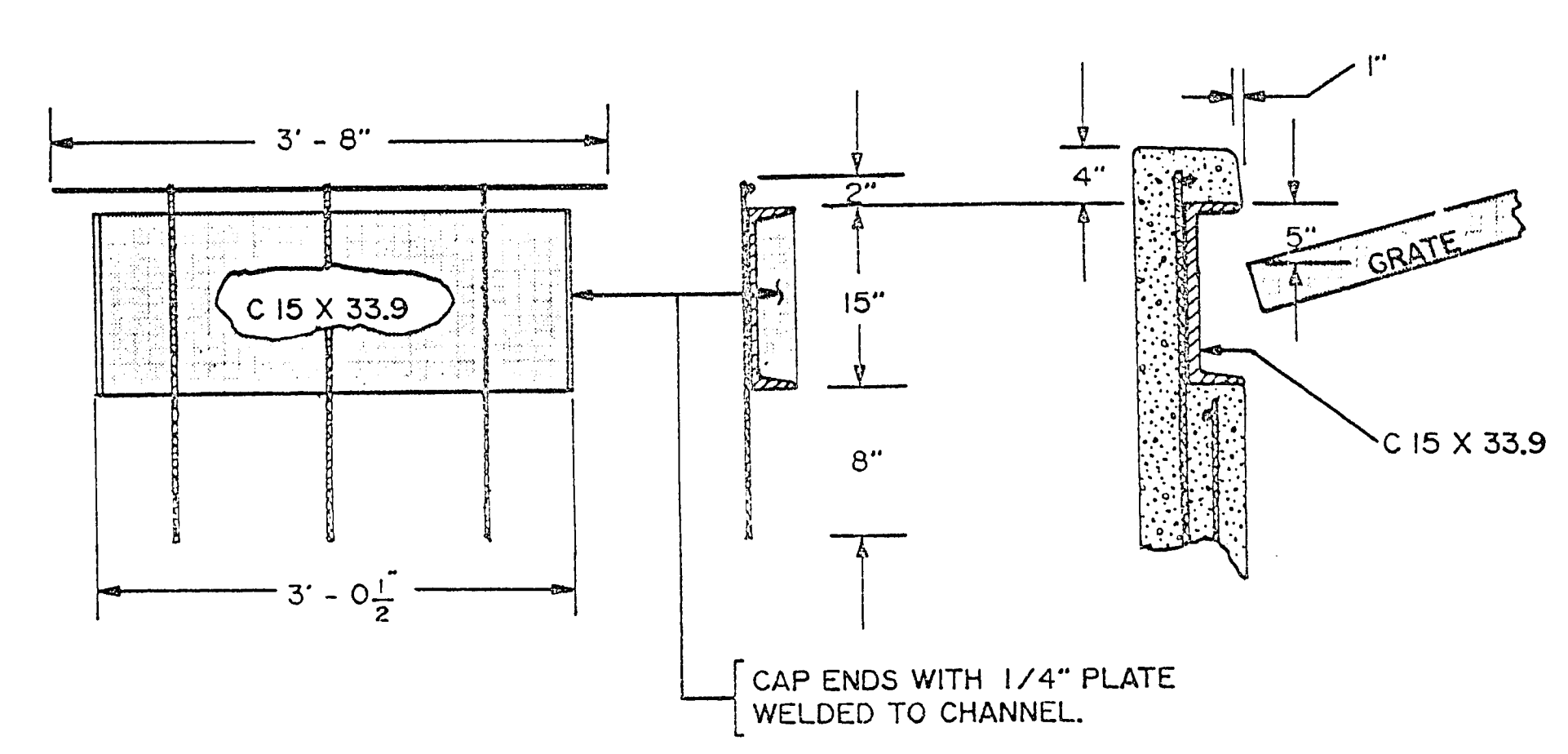
Drawing no. 307-V704  
 19A

REVISED 6 SEPTEMBER 1990

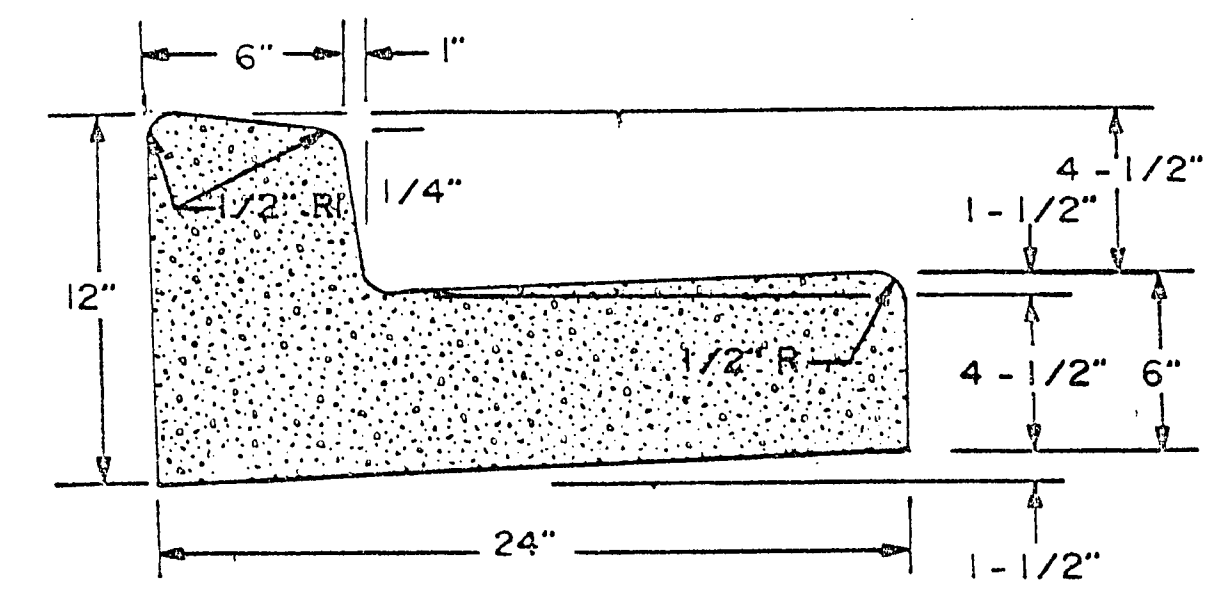
26-1-157



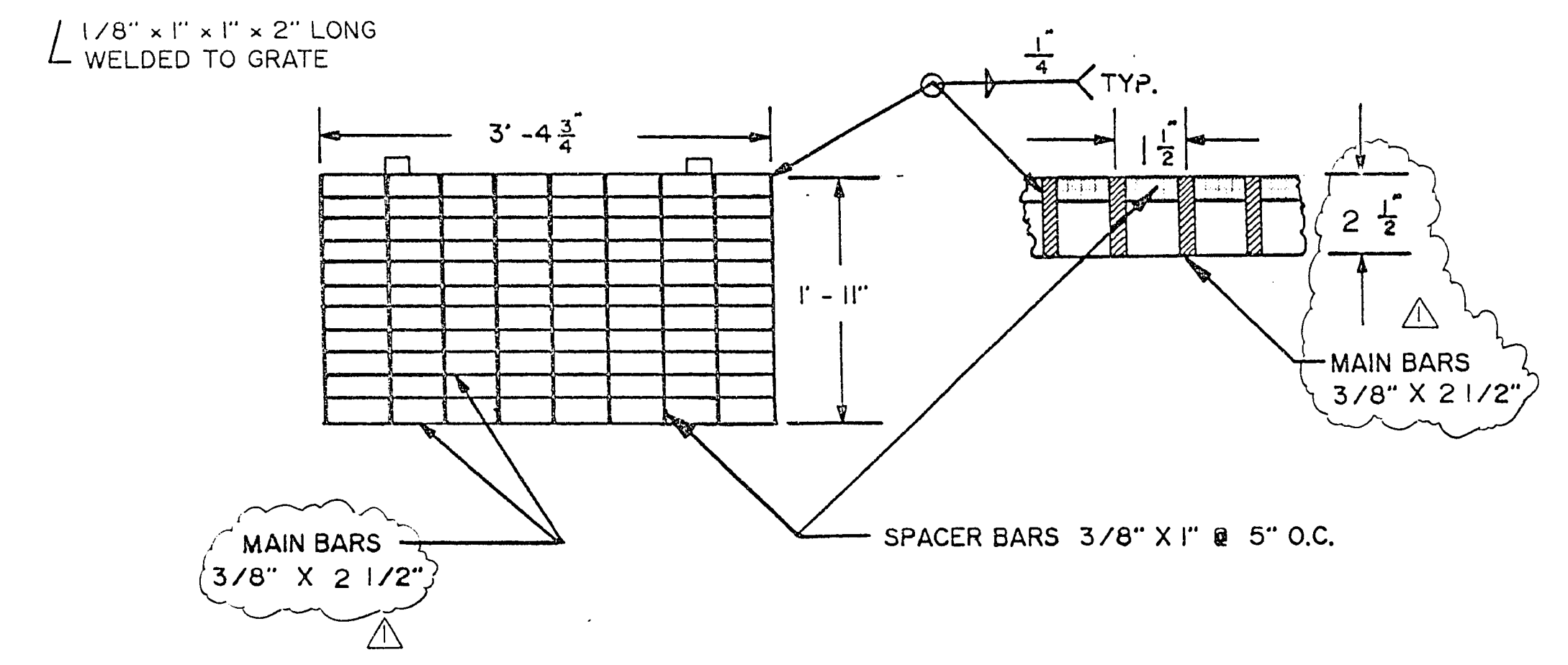
PLAN VIEW



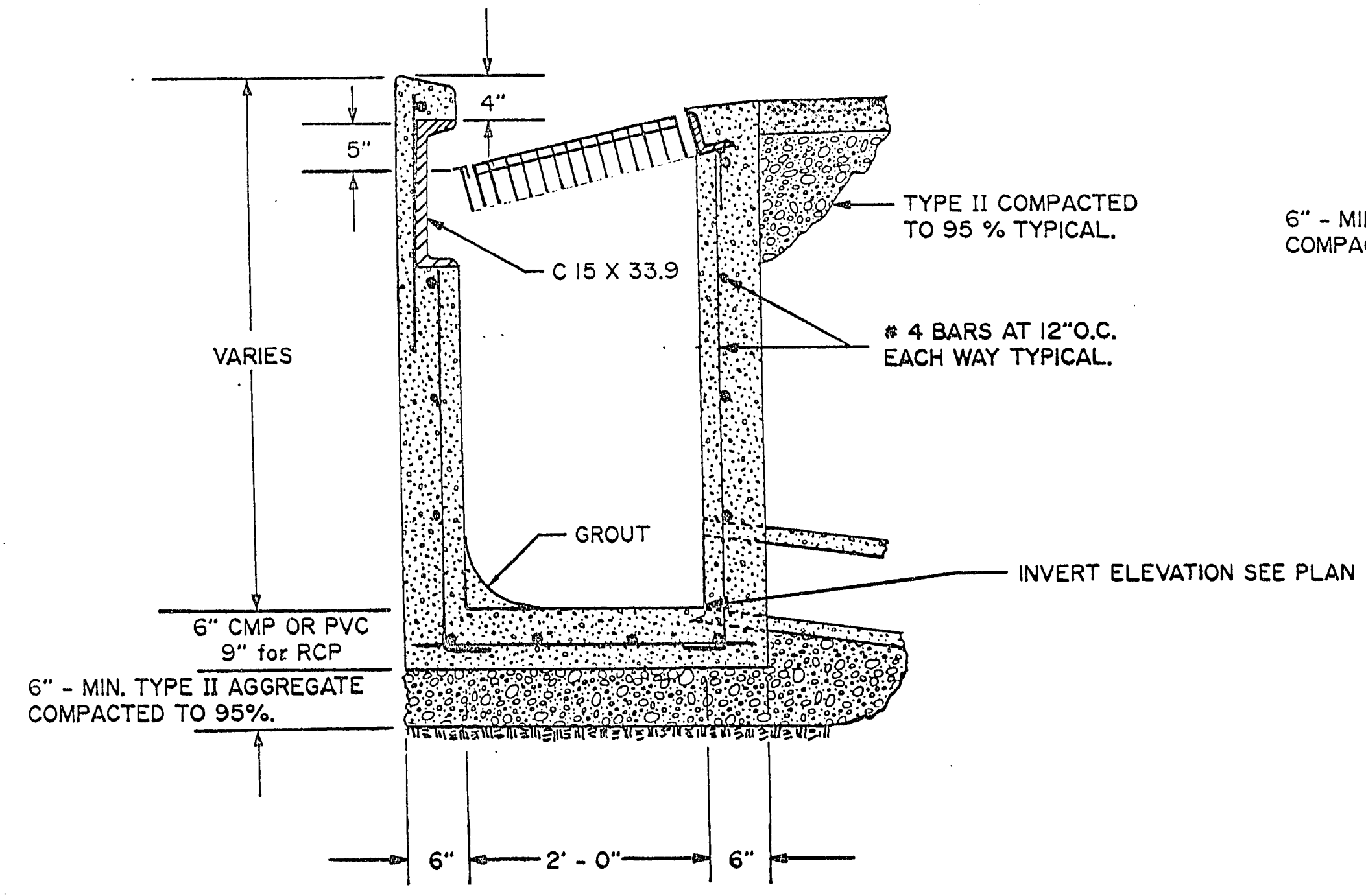
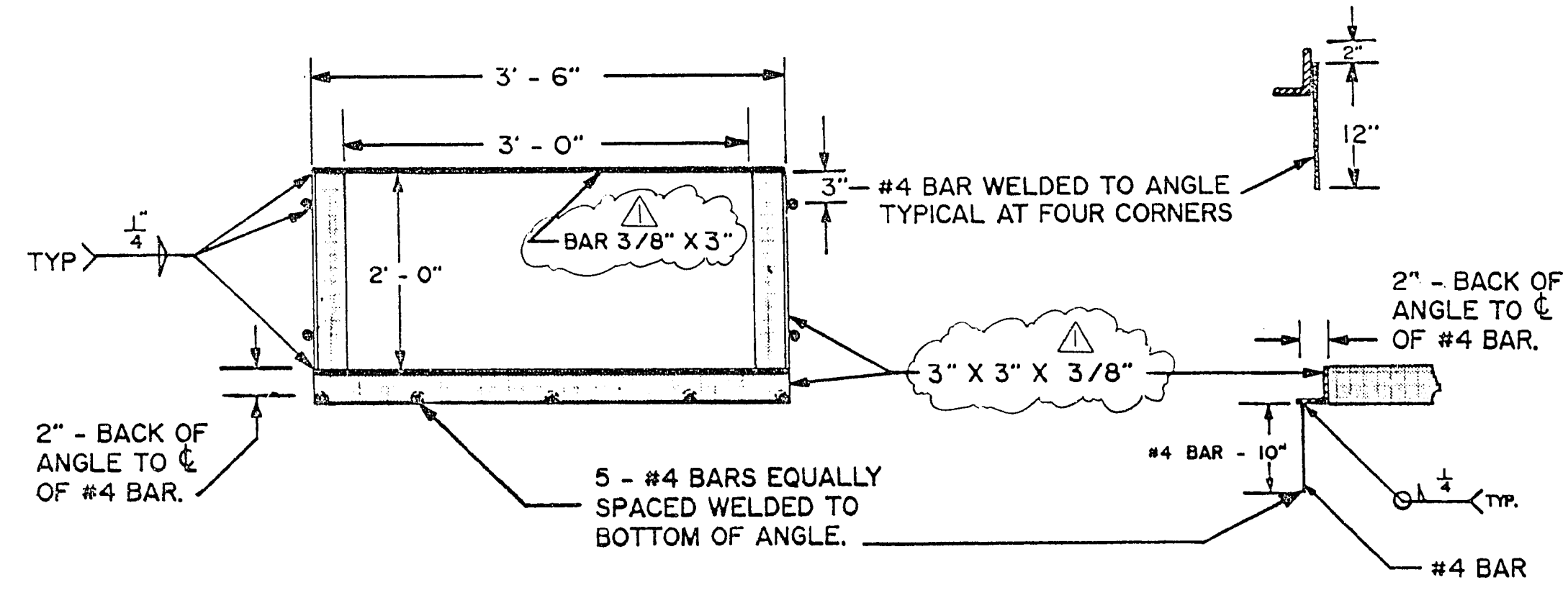
CHANNEL DETAIL



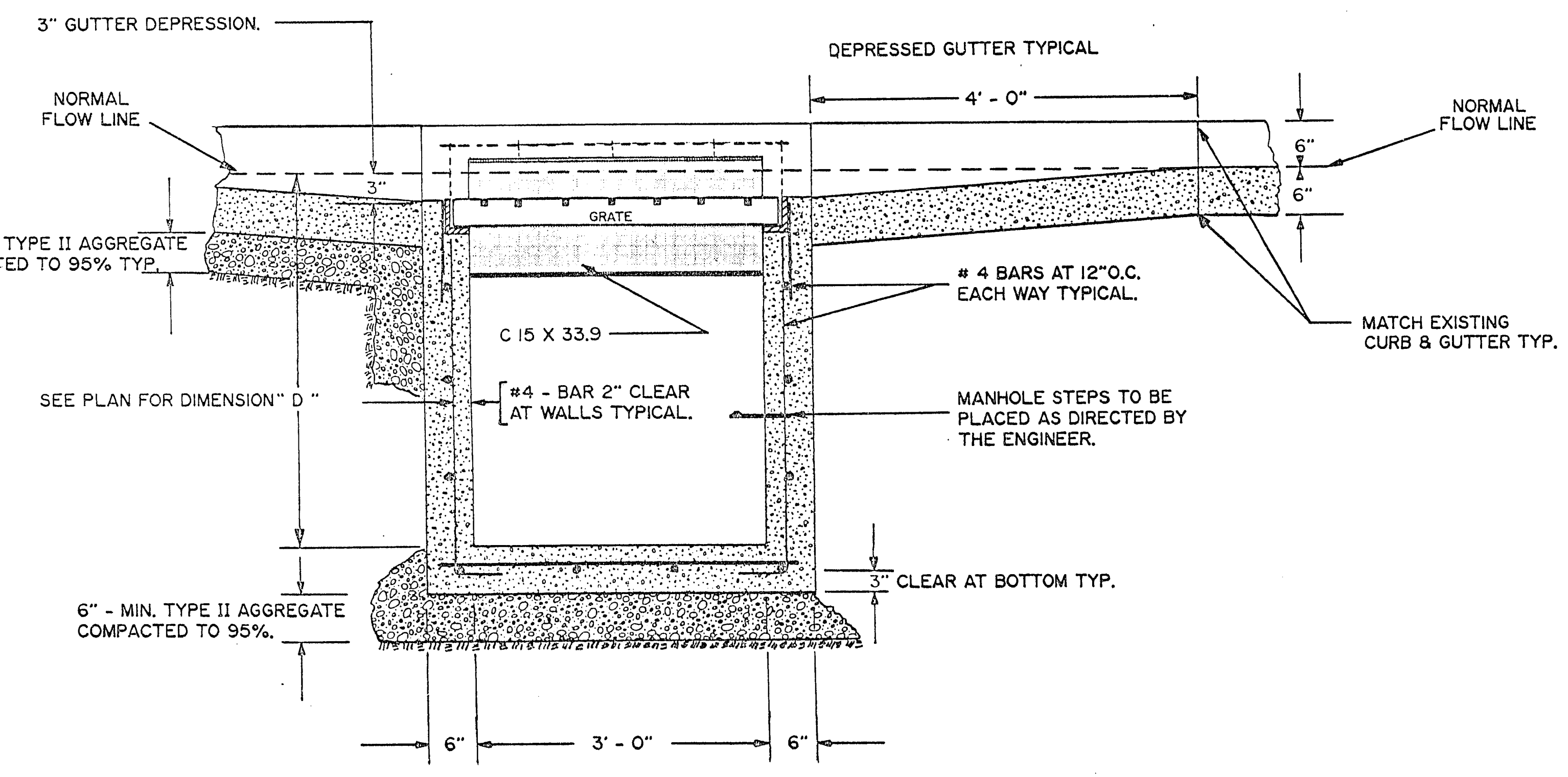
"L" - TYPE CURB AND GUTTER (NTS)



GRATE AND FRAME DETAIL



SECTION A - A



SECTION B - B

GENERAL NOTES.

1. ALL CONCRETE SHALL BE CLASS "D" OR "DA".
2. ALL REINFORCING SHALL BE TIGHTLY WIRED AND EMBEDDED 2" CLEAR OF INSIDE CONCRETE SURFACE. (EXCEPT AS NOTED) ALL REINFORCING SHALL BE No. 4 BARS WITH MAXIMUM SPACE AT 12" ON CENTER.
3. "D" IS THE DIFFERENCE IN ELEVATION BETWEEN THE OUT FLOW PIPE AND THE NORMAL GUTTER FLOW LINE. (PROJECTED).
4. FOR DROP INLET, CONFIGURATIONS WITH 2 PIPES - INFLOW PIPE INVERT ELEVATION SHALL BE > 0.1' ABOVE OUTFLOW PIPE INVERT ELEVATION.
5. ALL EXPOSED STEEL SHALL BE HOT DIP GALVANIZED AFTER FABRICATION.