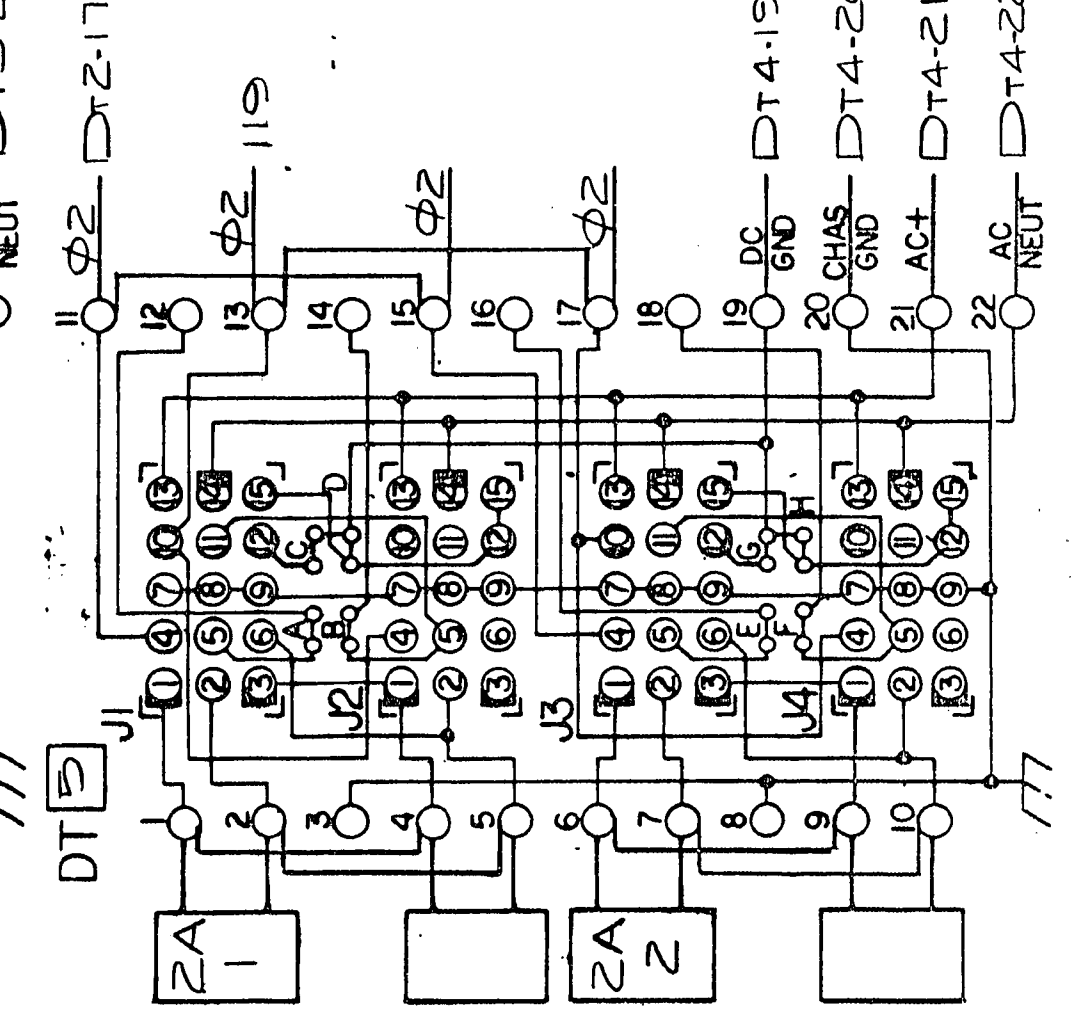
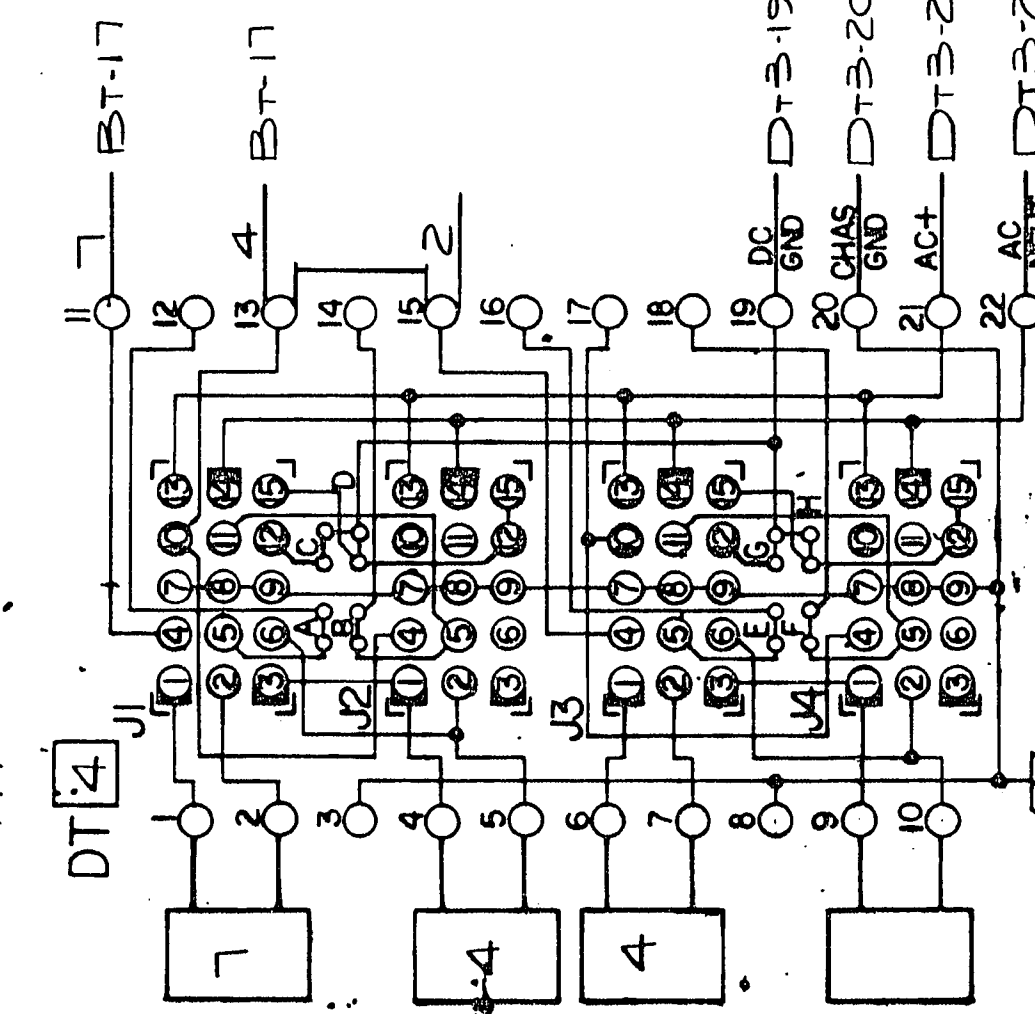
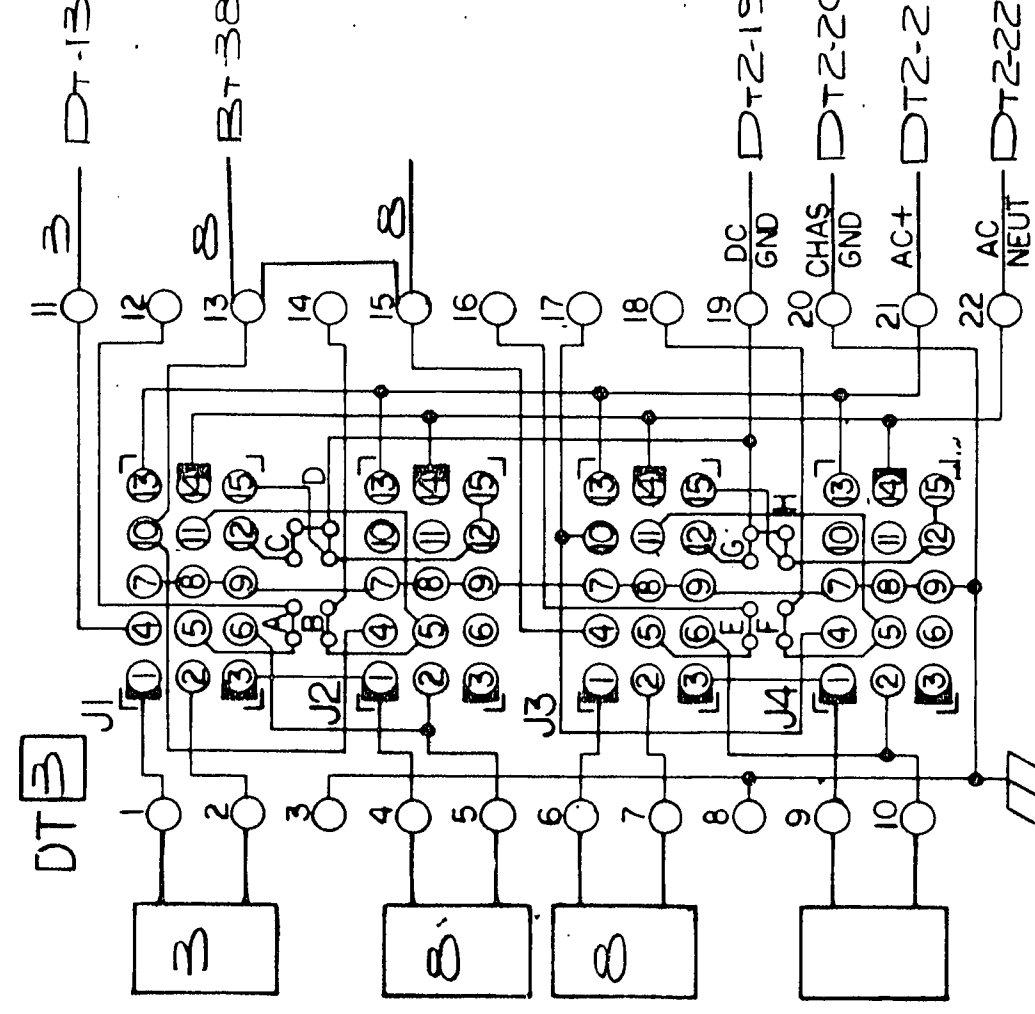
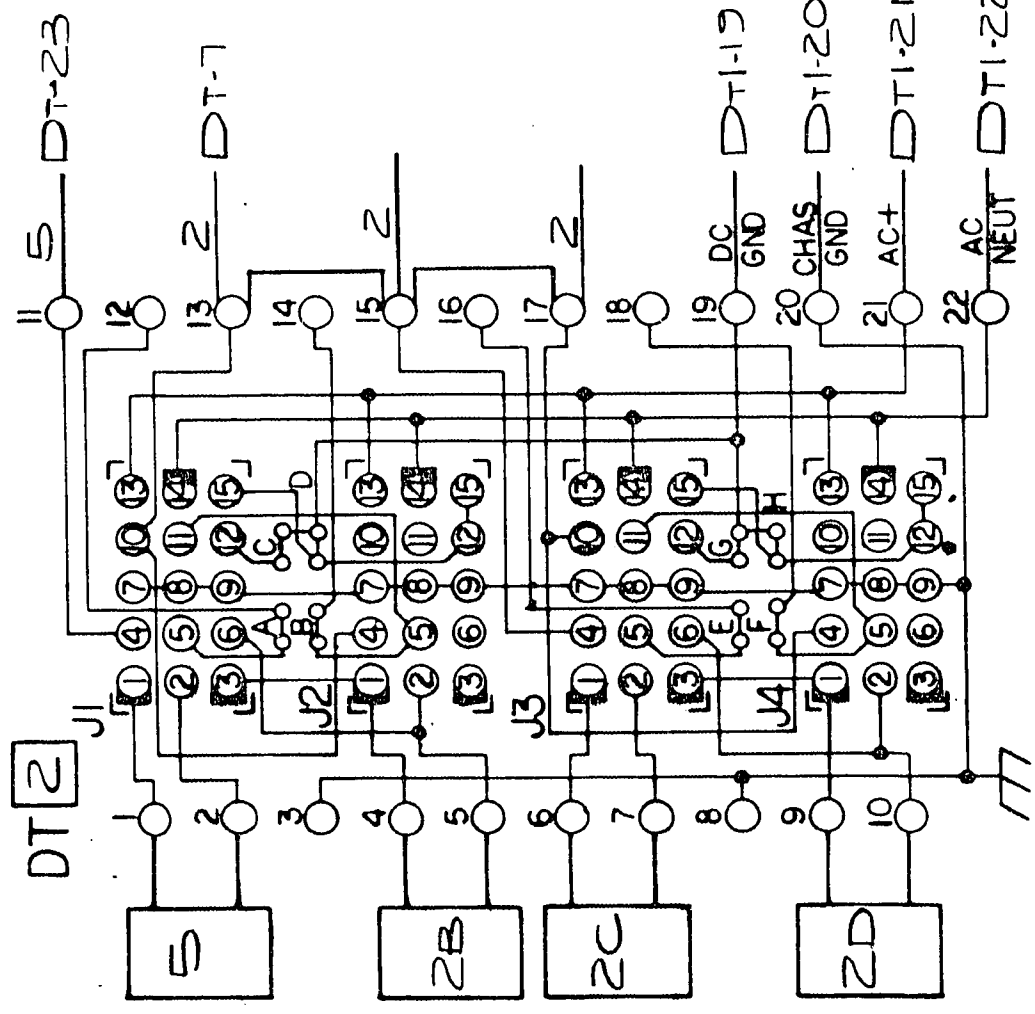
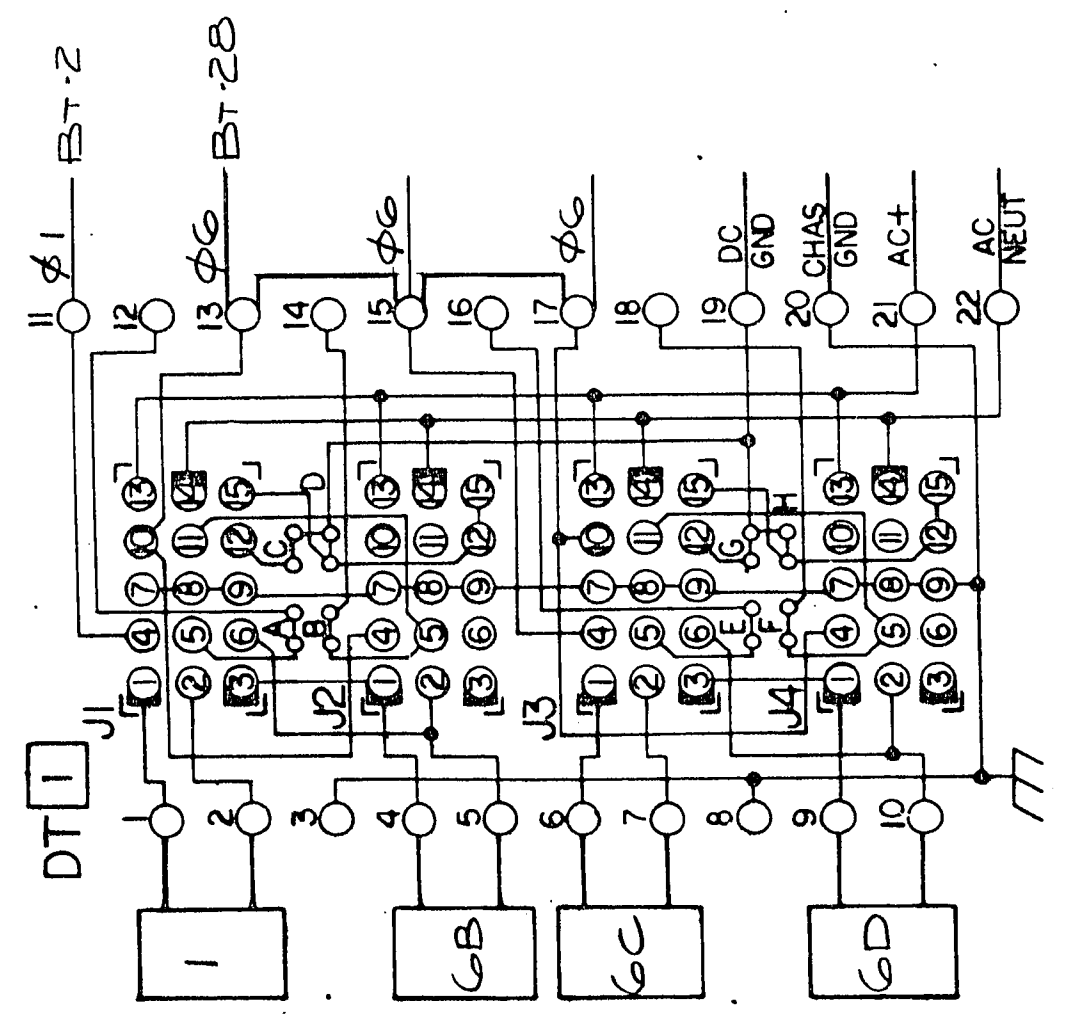
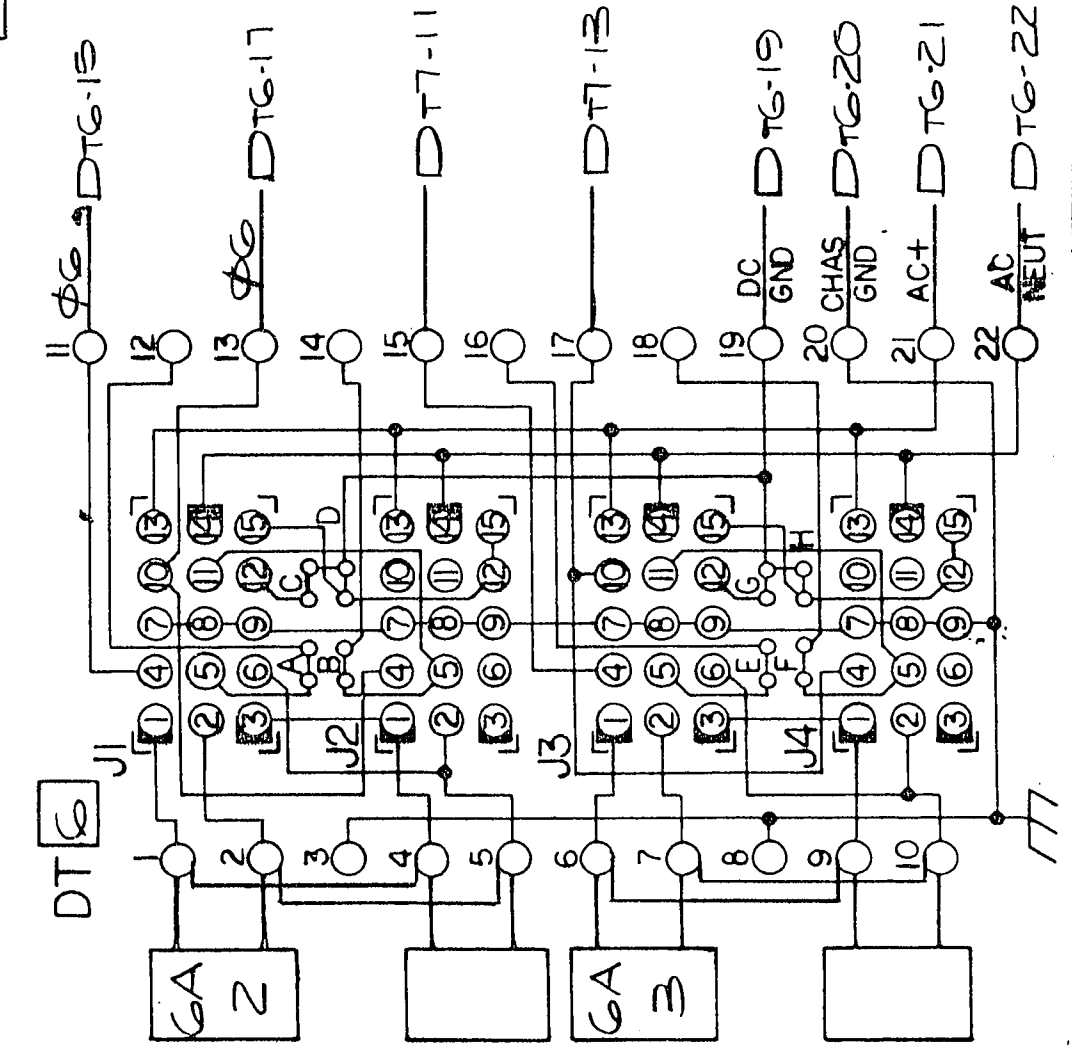
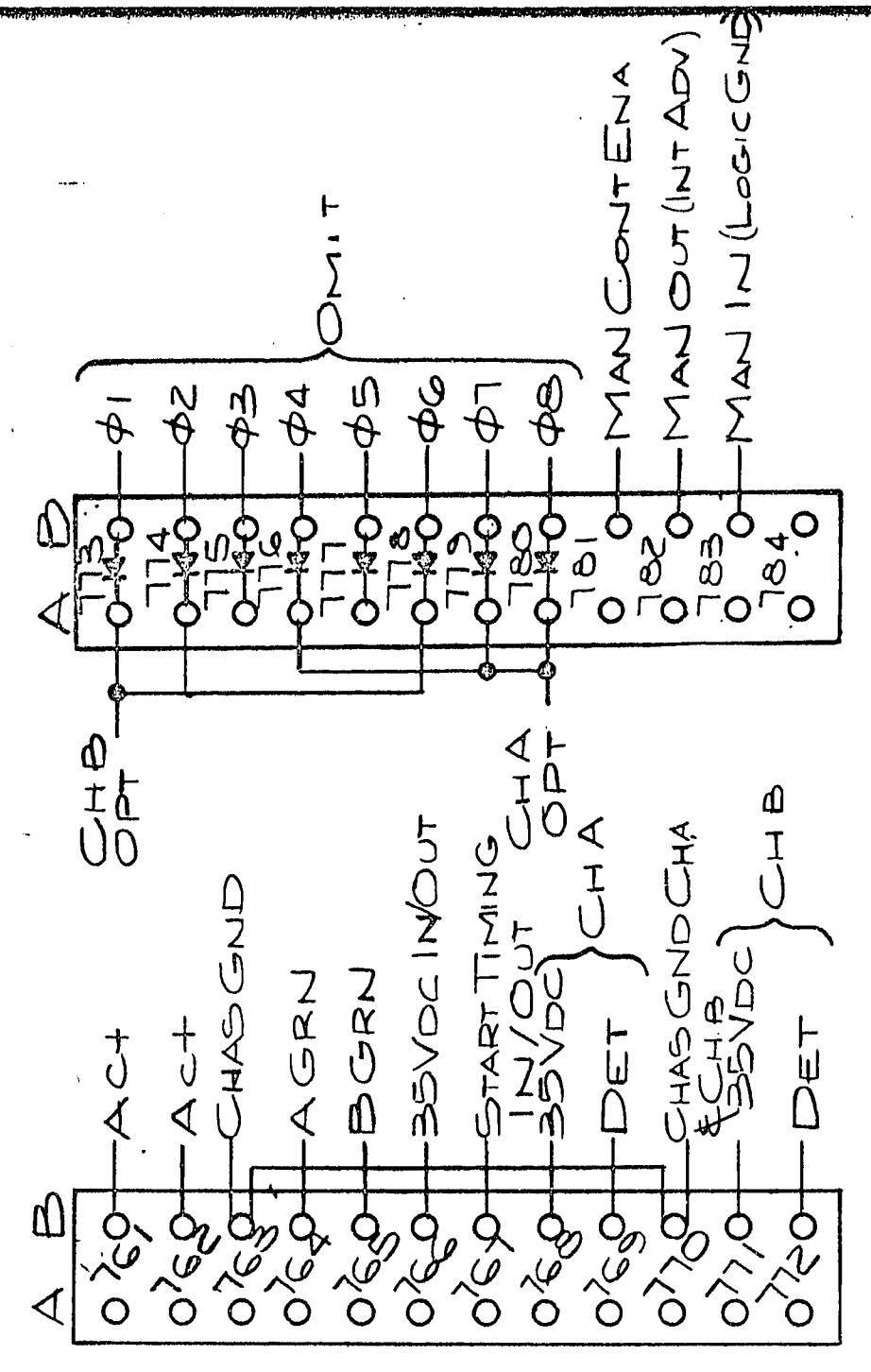


NELLS & STEWART



OPTICOM-168

TERMINAL	DESCRIPTION
762B	CHASSIS GND
AC-	
A	ACT (OUT)
B	ACT (IN)
C	8A LOCKOUT
D	8B LOCKOUT
E	MANUAL IN
F	MANUAL OUT
G	8A GREEN
H	8B GREEN
I	YELLOW OUT
J	TERM B0
K	CONTROLLER
L	STOP TIMING
M	INTERLOCK INDCGND
N	INTERLOCK OUT
O	8B GREEN
P	YELLOW IN
Q	YELLOW IN
R	YELLOW IN
S	YELLOW IN FLASH
T	35VDC
U	35VDC
V	35VDC
W	CALL B+
X	INTERLOCK K12226
Y	INTERLOCK K2226
Z	START TIMING IN
AA	START TIMING OUT
AB	EXTERNAL A RECALL
AC	35VDC IN
AD	35VDC OUT
AE	DC COMMON
AF	CALL SATISFIED
AG	CHASSIS GND
AH	35VDC
AI	CHAN A DET
AJ	GND
AK	CHAN A EXT CALL
AL	35VDC
AM	CHAN B DET
AN	GND
AO	CHAN B EXT CALL
AP	

SHT. 1 Of 1

DATE: 4/5/81

DESIGNER: [Signature]

CHECKED: [Signature]

INSPECTED: [Signature]

APPROVED: [Signature]

CONTRACT NO: 1796-01-2090

DESCRIPTION: 314-4-1 HARNESS ASSY

REV. NO: 1

REV. DATE: 10/2/80

REV. BY: [Signature]

REV. REASON: [Signature]

DESIGNED BY: NELLIS & STEWART

CUSTOMER: [Signature]

INSTALLATION LOCATION: [Signature]

SALES ORDER NO: [Signature]

DRAWING NO: [Signature]

1-1014 SHT. 28

L-701 28A

107-V1800

23-3-24