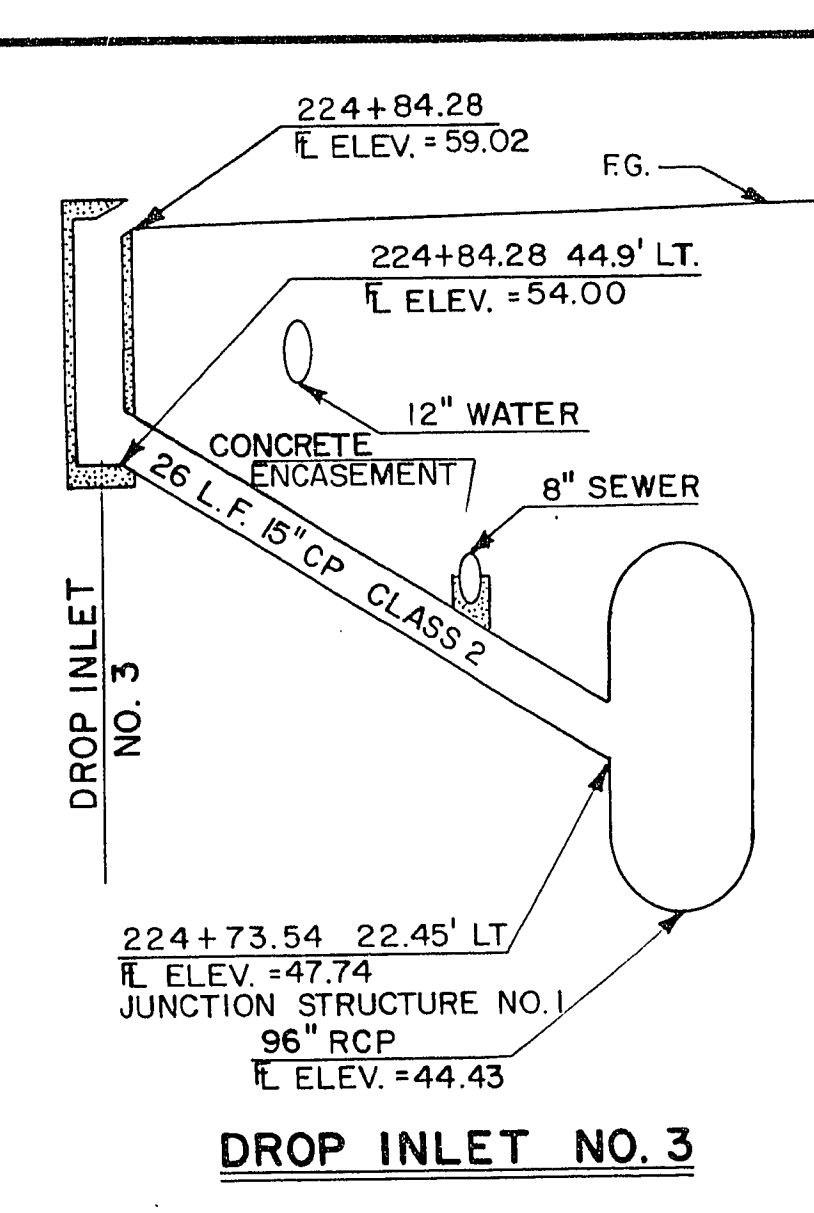
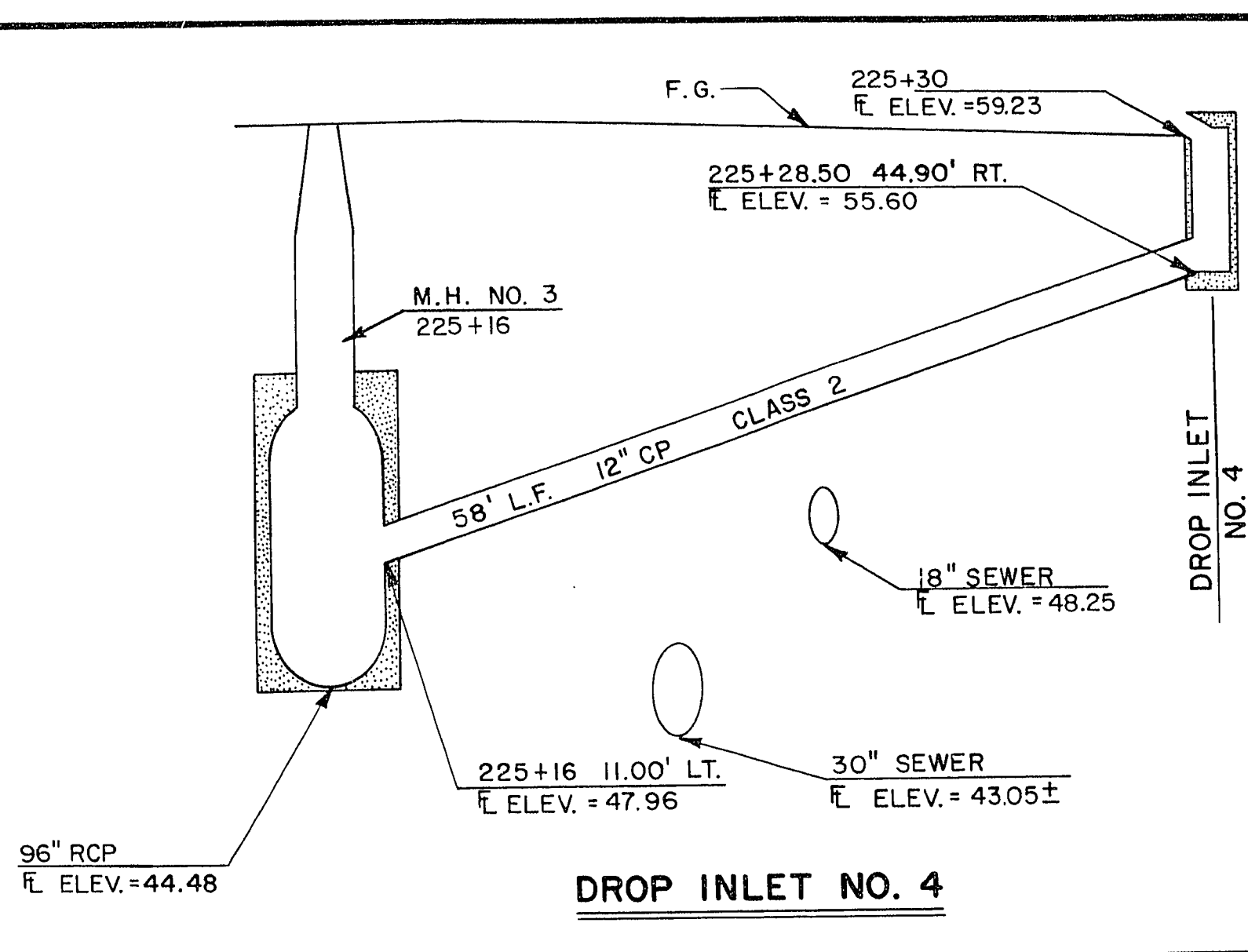


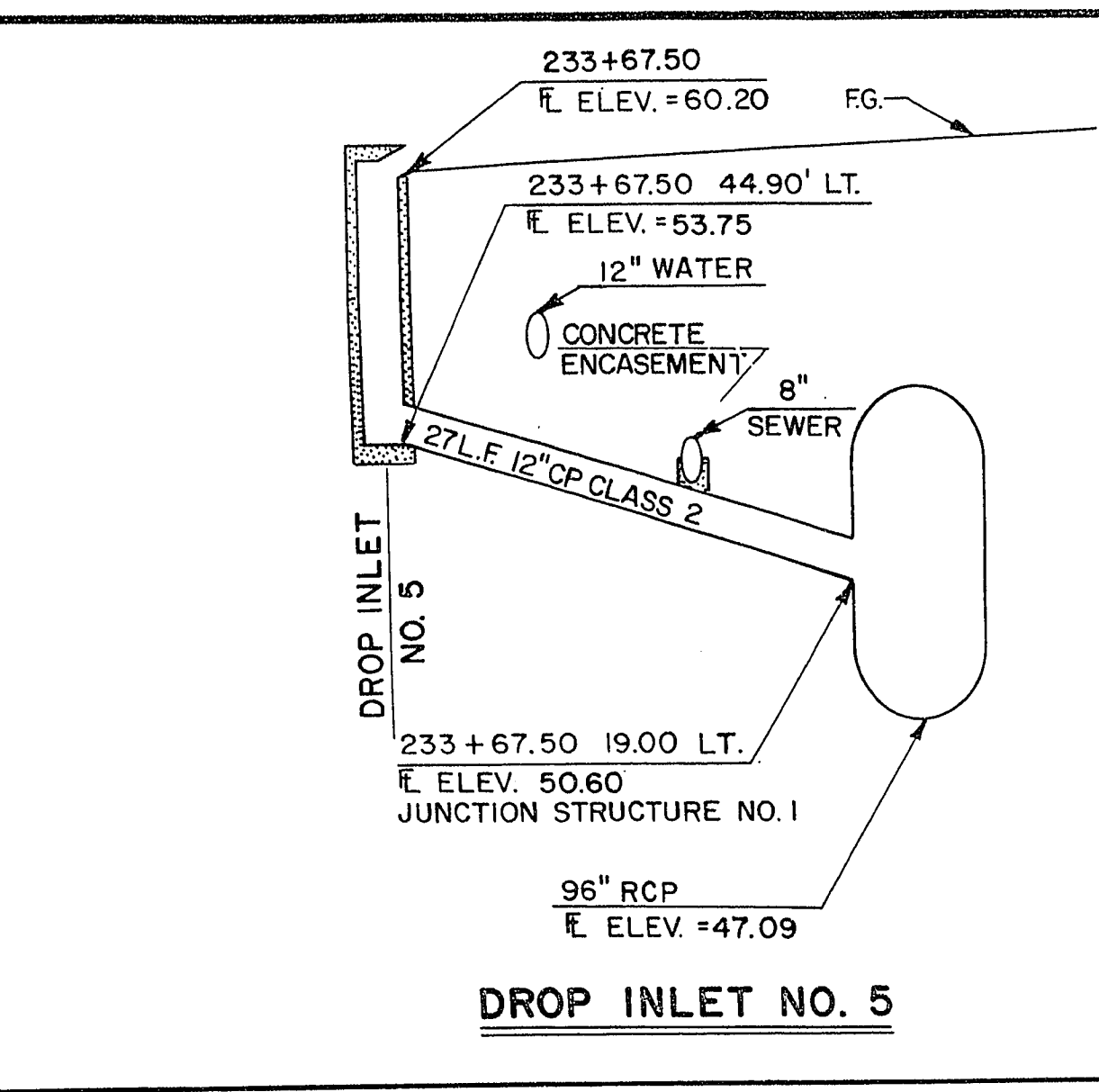
DROP INLETS NO. 1 & NO. 2



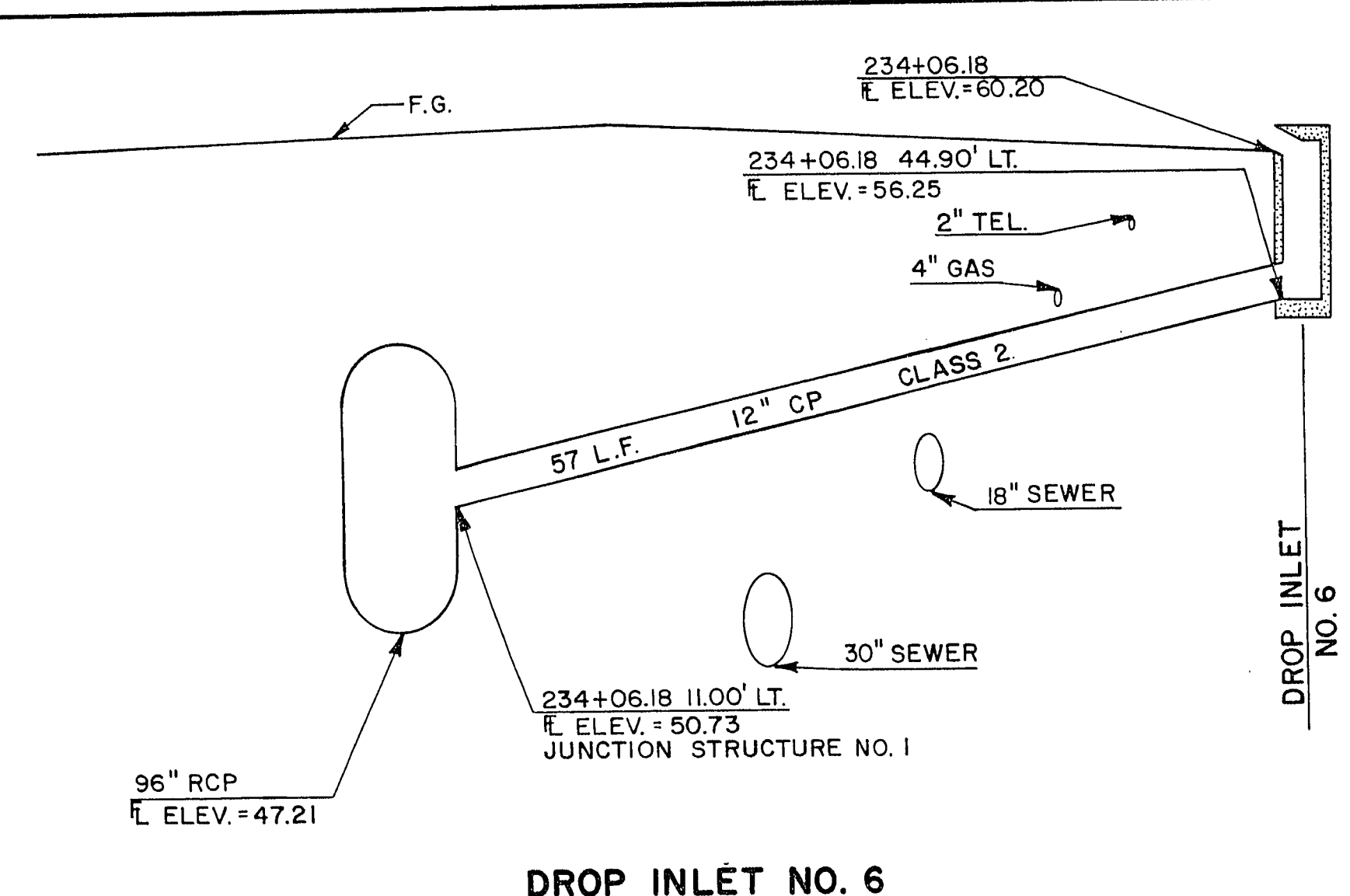
DROP INLET NO. 3



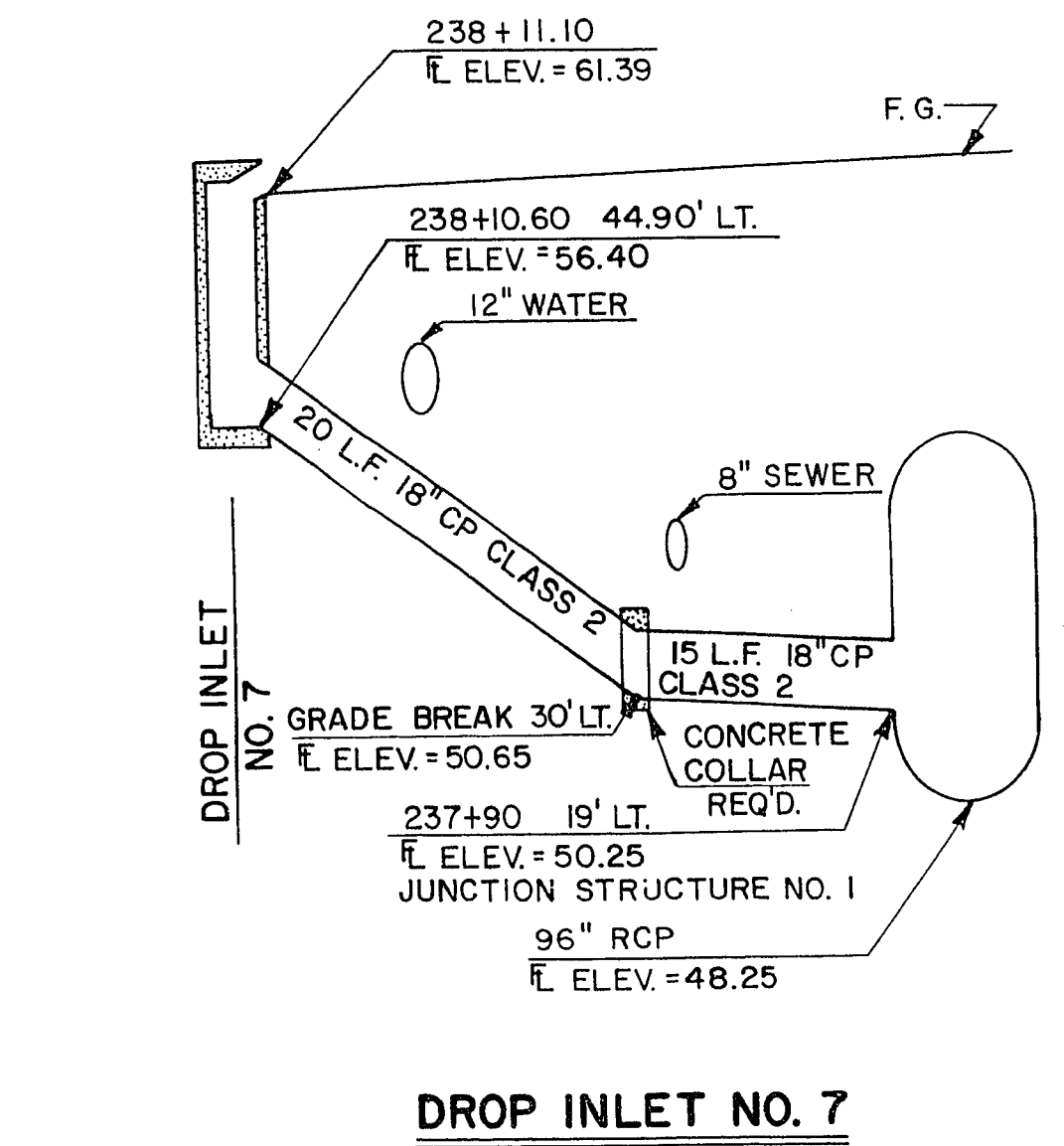
DROP INLET NO. 4



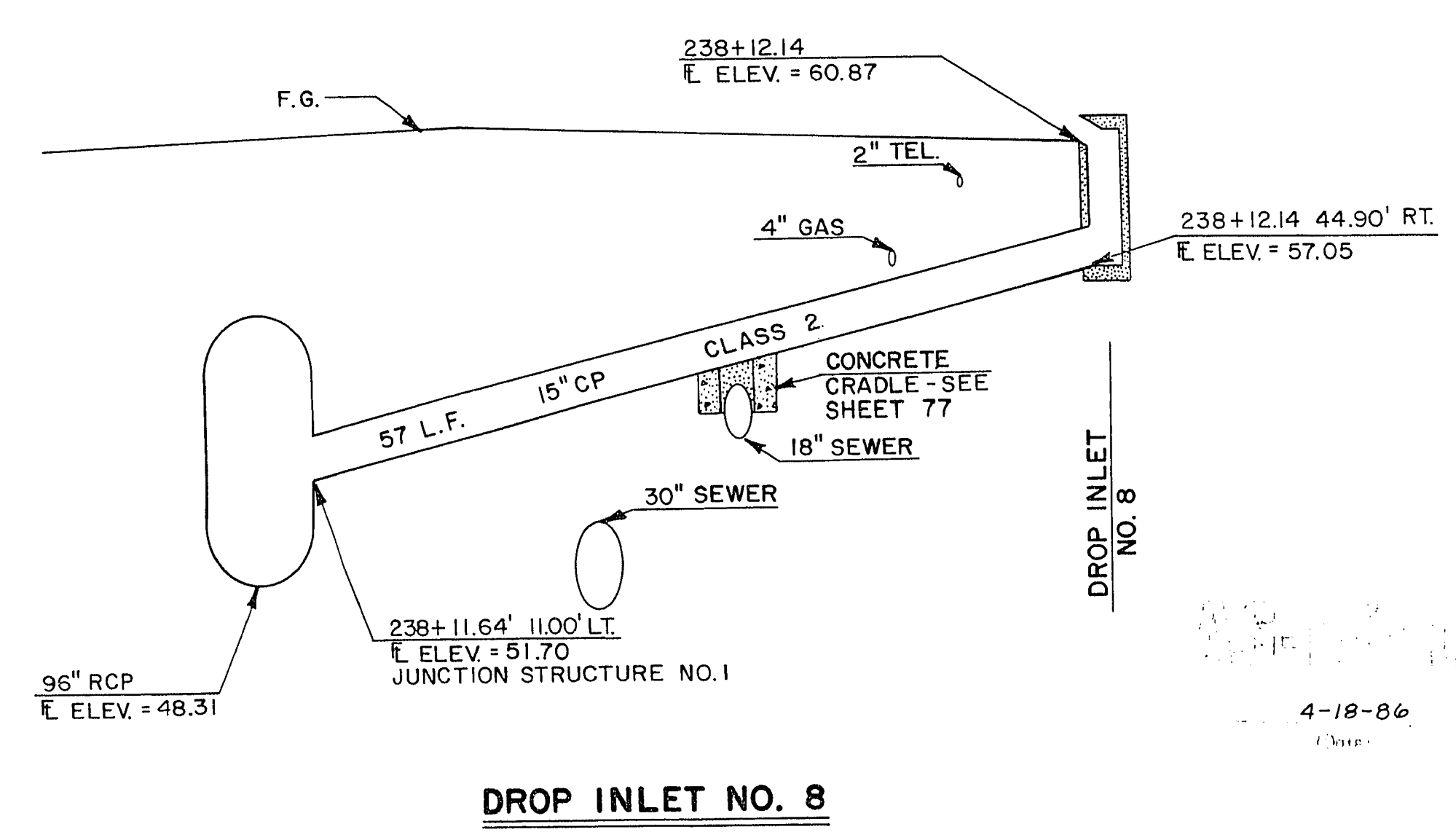
DROP INLET NO. 5



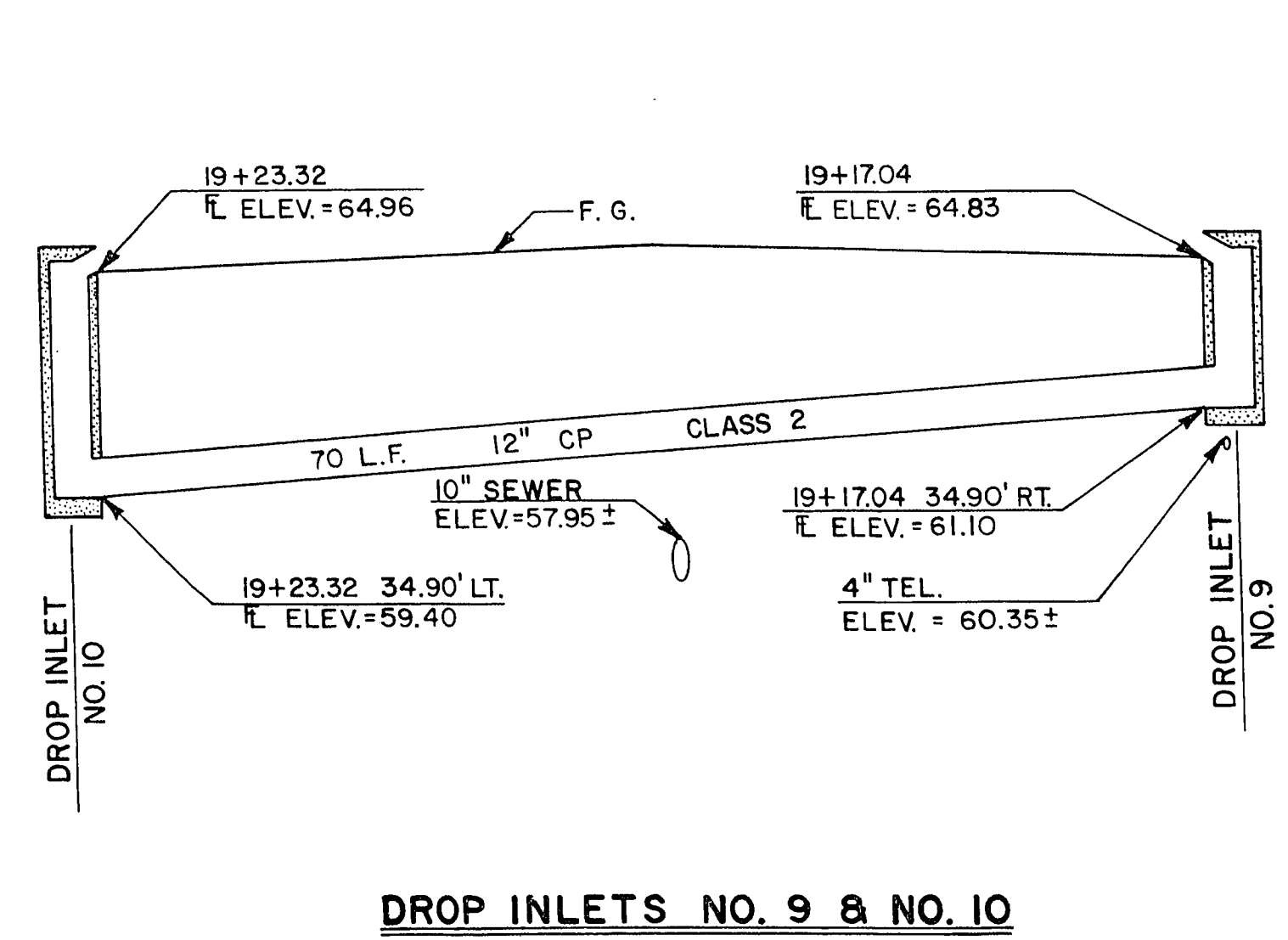
DROP INLET NO. 6



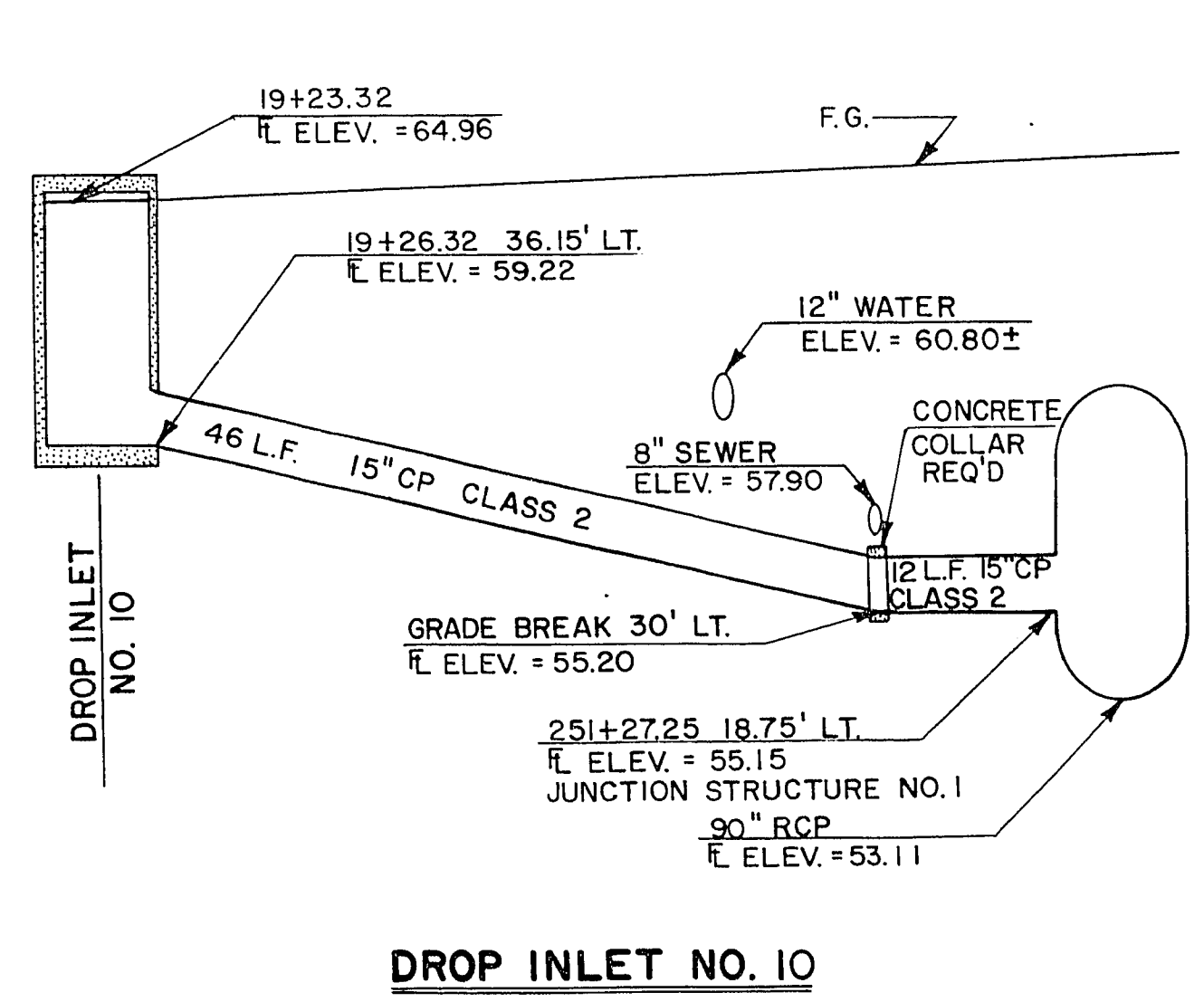
DROP INLET NO. 7



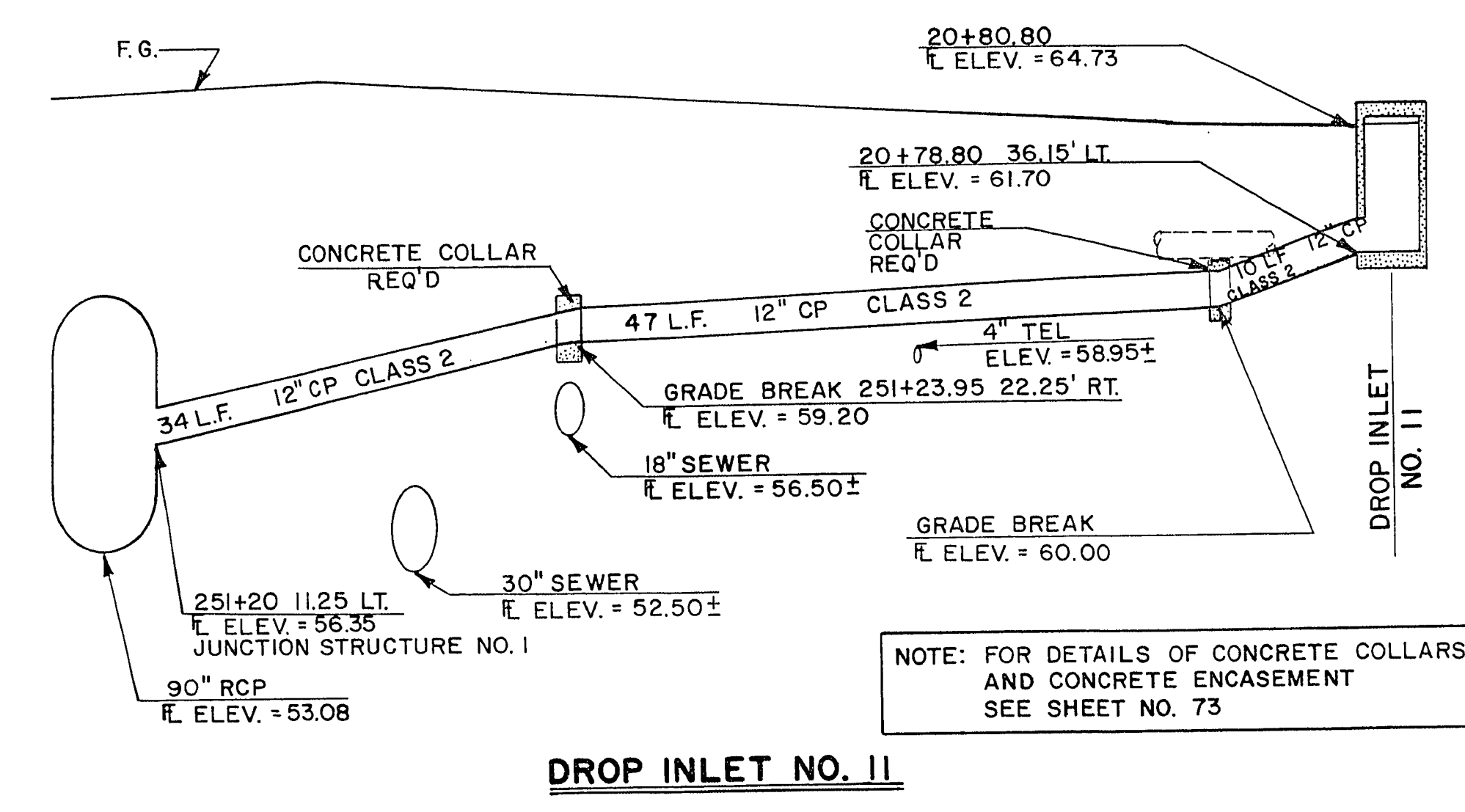
DROP INLET NO. 8



DROP INLETS NO. 9 & NO. 10



DROP INLET NO. 10



DROP INLET NO. 11

NOTE: FOR DETAILS OF CONCRETE COLLARS AND CONCRETE ENCASEMENT SEE SHEET NO. 73

REV. NO.	DATE	DESCRIPTION	APPROVED

DESIGNED BY: *Scott B. Anderson*
 DRAWN BY: *gcs*
 CHECKED BY: *M. W. ...*

CLARK COUNTY NEVADA
DEPARTMENT OF PUBLIC WORKS

NELLIS BOULEVARD
STORM DRAIN DETAILS

SCALE	HORIZ.: NONE	DRAWING NO.
	VERT.: NONE	L-1017
PROJECT NO.: B810563		SHT. 68 OF 92

107-V1789

21-3-49