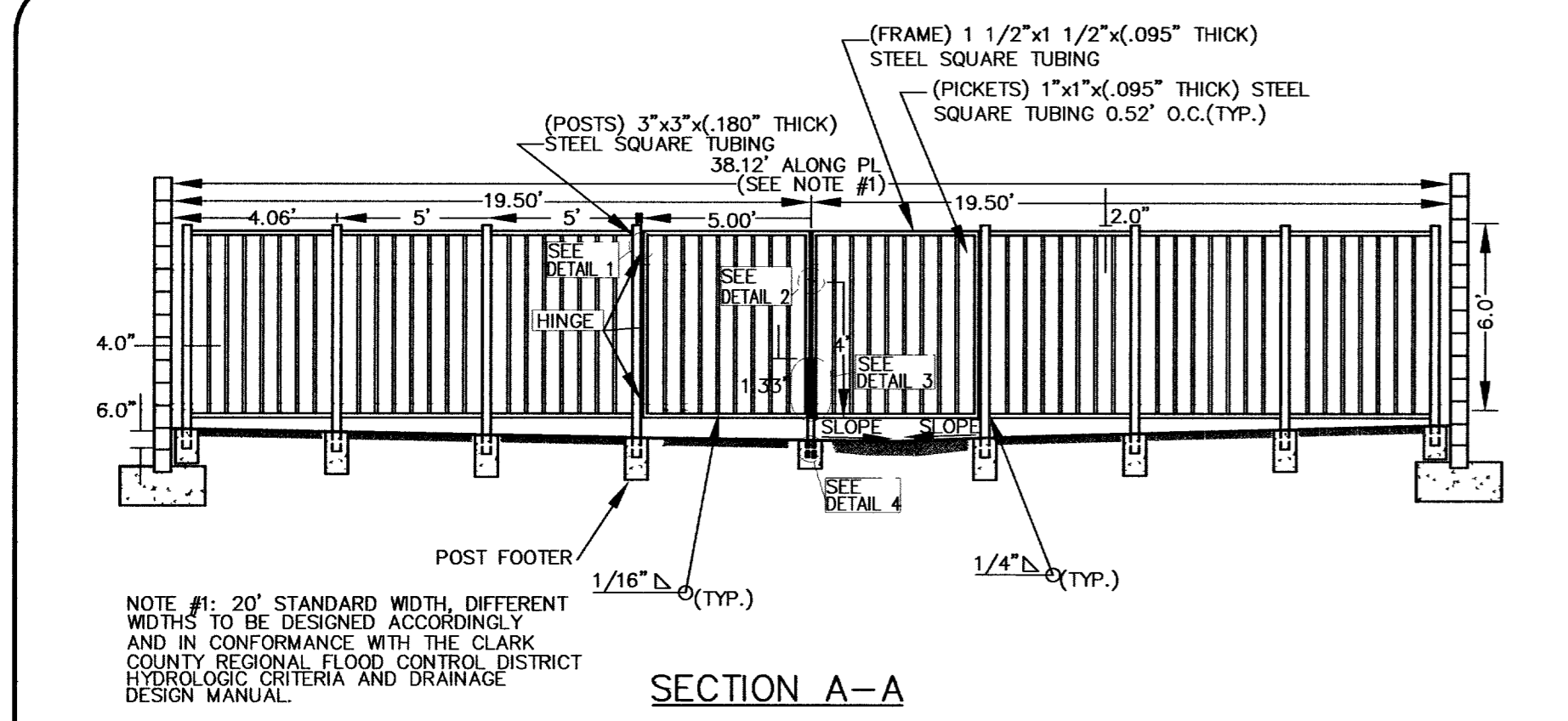


BENCHMARK		
DESC.	NAVD 88 DATUM	NAVD 88 DATUM
8LV99 13E4 RIVET AND PLATE IN CONCRETE CYLINDER AT THE NORTHWEST CORNER OF HUALAPAI WAY AND FARM ROAD.	2860.79 (FEET)	871.971 (METERS)

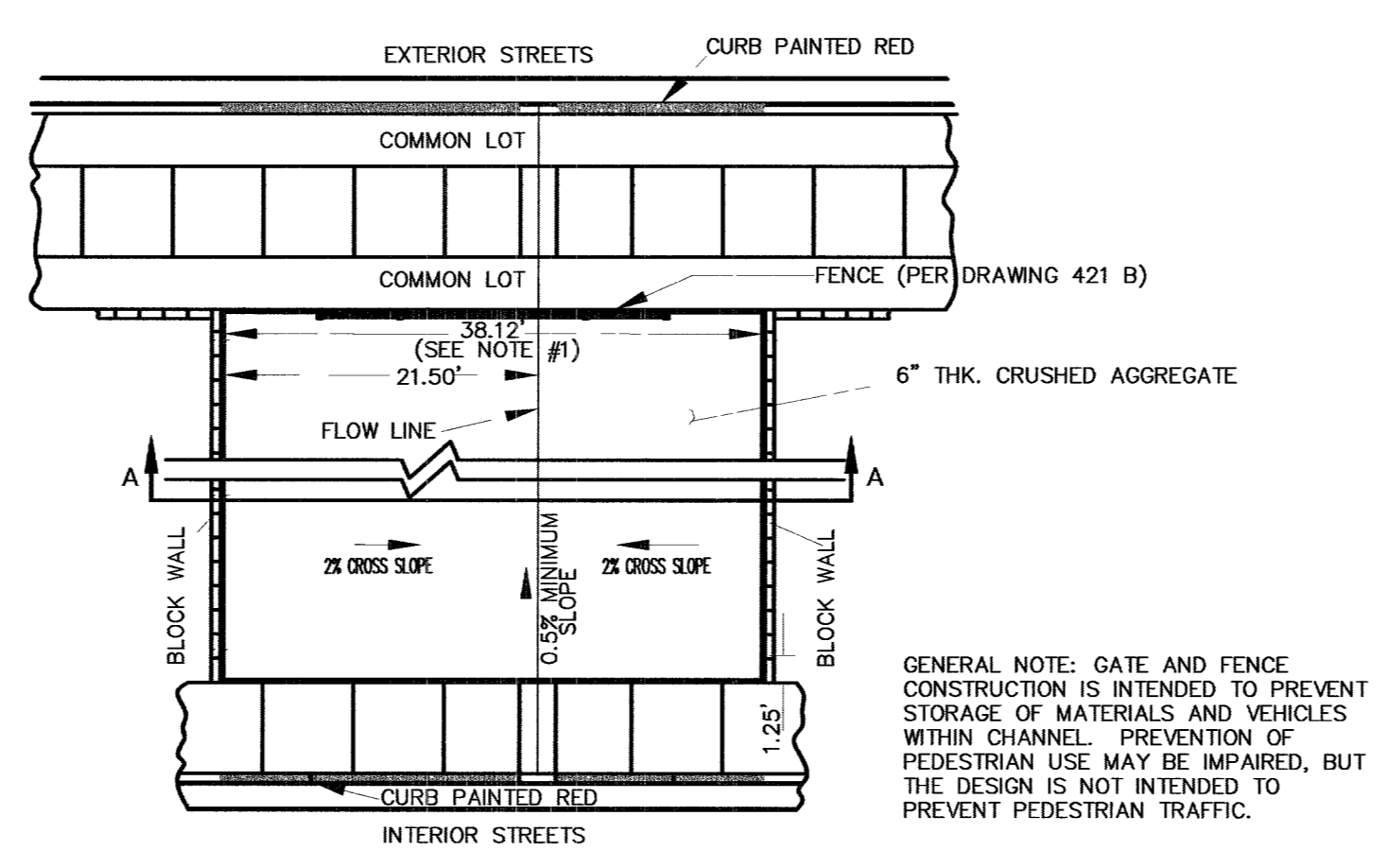
**BASIS OF BEARINGS**  
 N 88°21'18" E BEING THE SOUTH LINE OF THE SOUTHWEST QUARTER (SW 1/4) OF THE NORTHEAST QUARTER (NE 1/4) OF SECTION 13, T19S, R59E, M.D.M., AS SHOWN BY RECORD OF SURVEY ON FILE IN THE CLARK COUNTY, NEVADA RECORDER'S OFFICE IN FILE 124 OF SURVEYS AT PAGE 94.



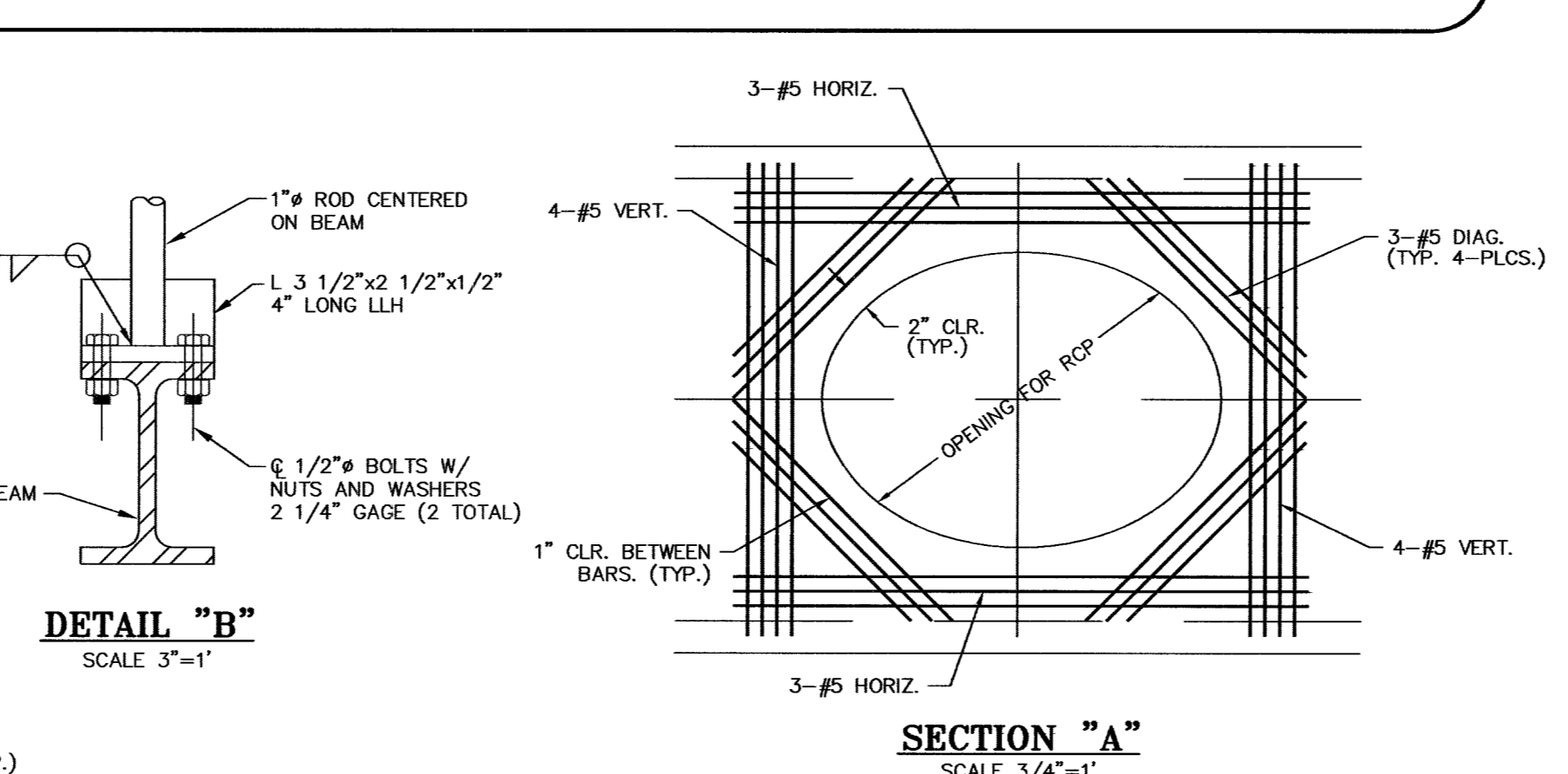
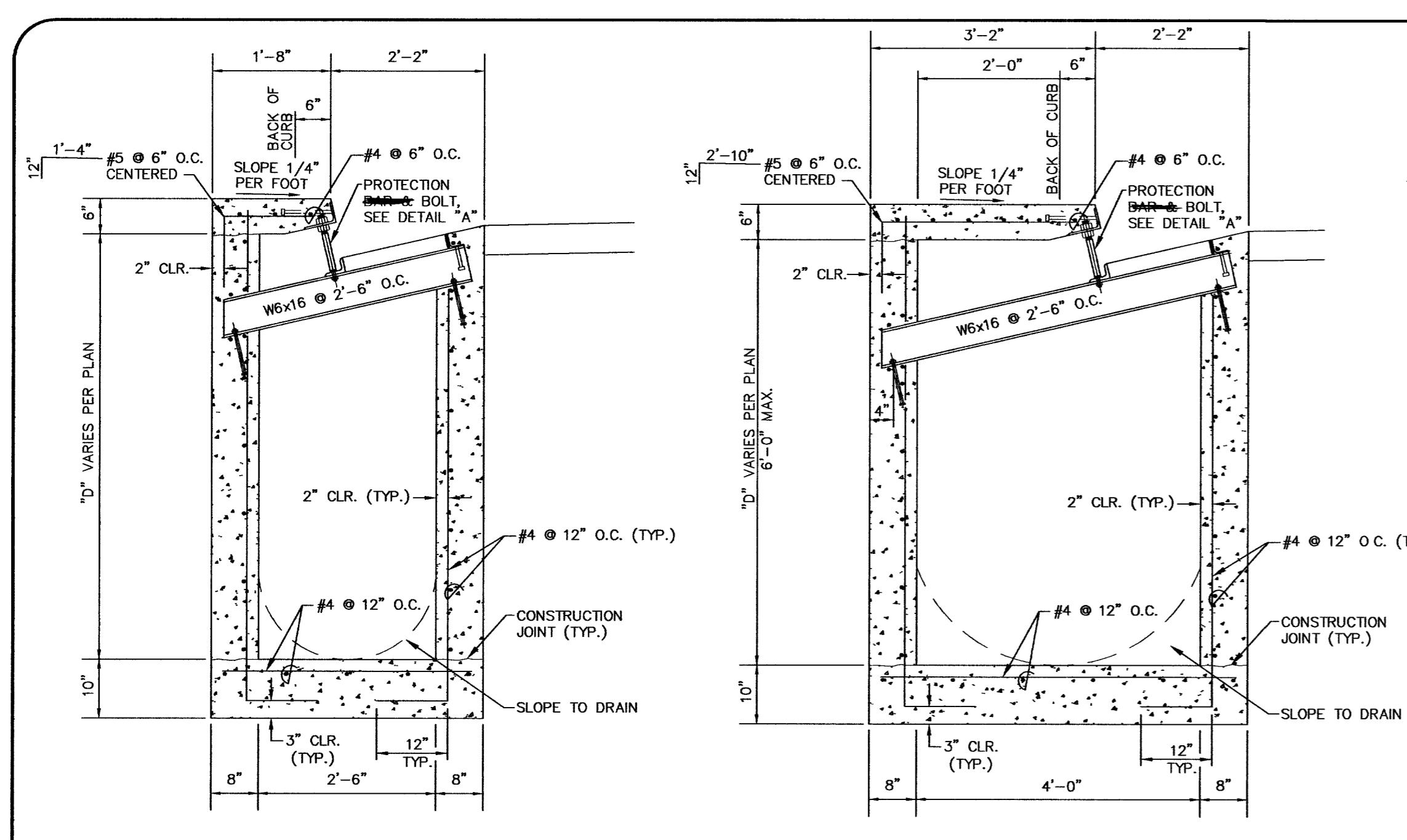
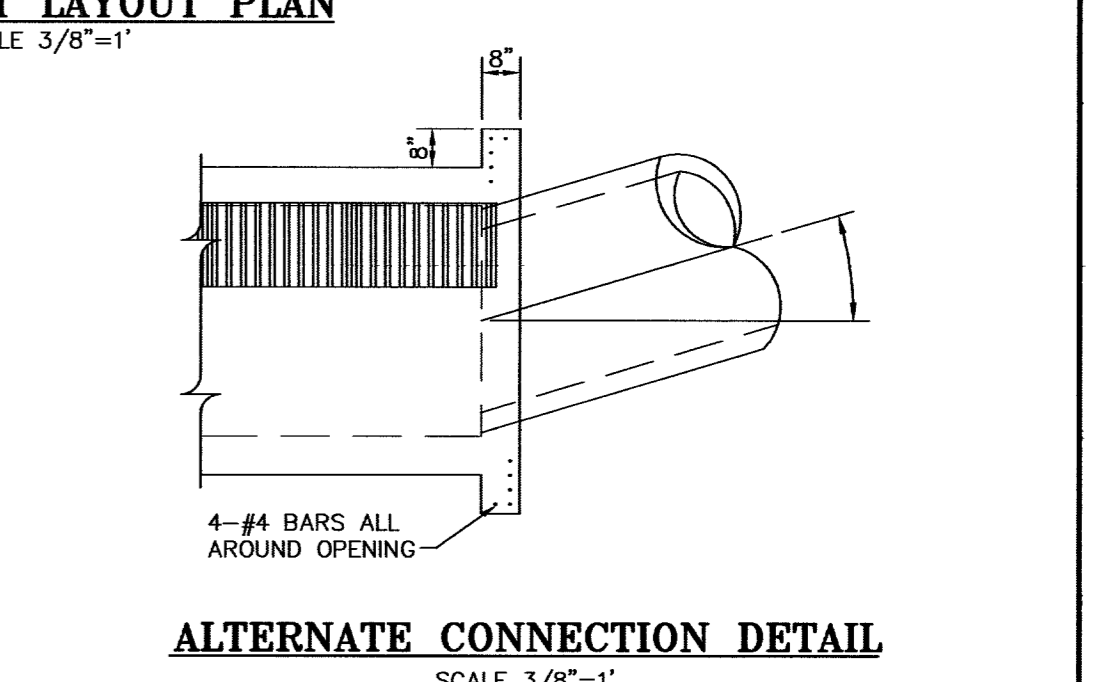
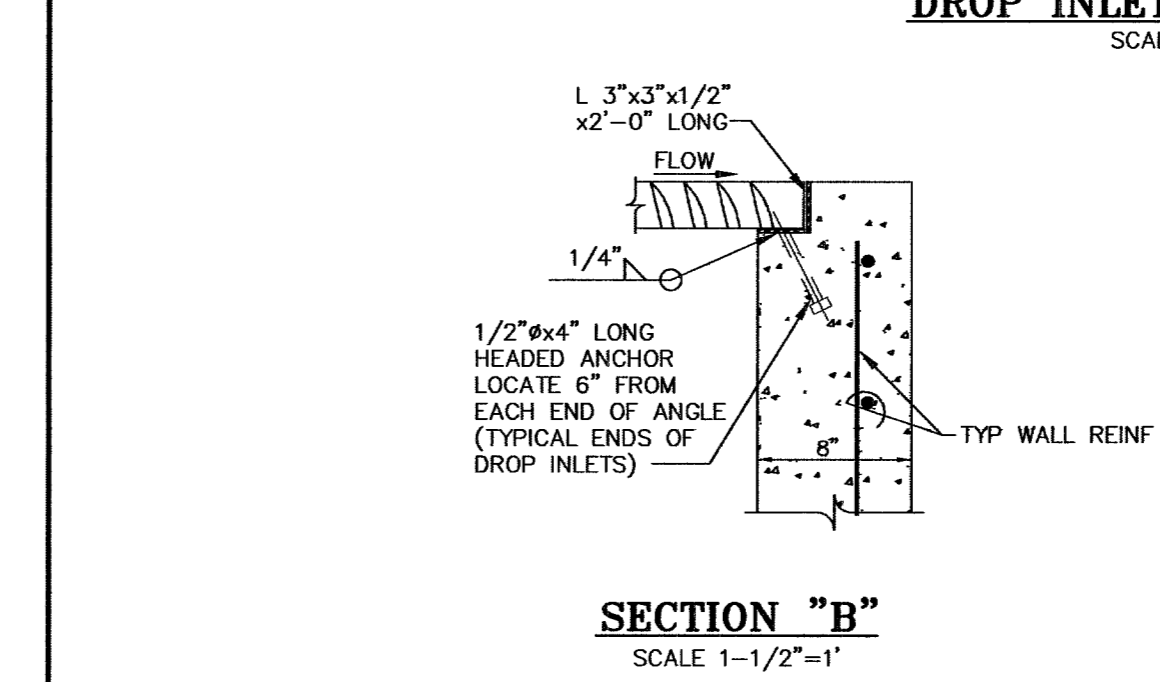
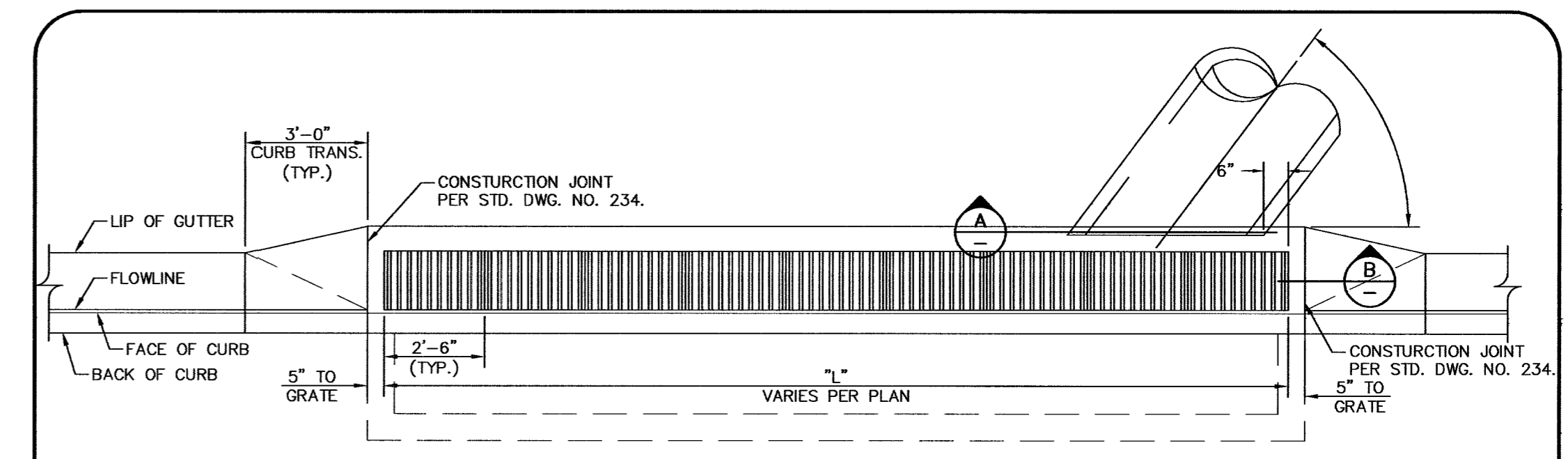
NOTE: POSTS PLACED IN HARDENED CONCRETE REQUIRE AN 8" CORING THROUGH THE SLAB AND BASE FULLY GROUTED WITH HIGH STRENGTH GROUT. INTERIOR POSTS POURED MONOLITHIC WITH THE SLAB SHALL BE EMBEDDED A MINIMUM OF 18" INTO A 24"x24" FOOTER. END POSTS POURED MONOLITHIC WITH THE SLAB SHALL HAVE FULL EMBEDMENT IN THE SLAB.

NOTE: STEEL WILL BE PRIMERED AND PAINTED WHITE UNLESS OTHERWISE SPECIFIED. HALF PERCENT MINIMUM SLOPE THROUGH DRAINAGE SLAB IS REQUIRED. WHERE A STORM DRAIN LINE IS AVAILABLE IN THE EXTERIOR STREET, A STORM DRAIN INLET AT THE BEGINNING OF THE EASEMENT AND AN 18-INCH MINIMUM STORM DRAIN PIPE IS REQUIRED TO CONVEY NUISANCE WATER THROUGH THE EASEMENT. NOTE #1: 20" STANDARD WIDTH, DIFFERENT WIDTHS TO BE DESIGNED ACCORDINGLY AND IN CONFORMANCE WITH THE CLARK COUNTY REGIONAL FLOOD CONTROL DISTRICT HYDROLOGIC CRITERIA AND DRAINAGE DESIGN MANUAL.

**FENCE DETAIL PER CCAUSD # 421B**  
 SCALE: NOT TO SCALE



**GENERAL NOTE:** GATE AND FENCE CONSTRUCTION IS INTENDED TO PREVENT STORAGE OF MATERIALS AND VEHICLES WITHIN CHANNEL. PREVENTION OF PEDESTRIAN USE MAY BE IMPAIRED, BUT THE DESIGN IS NOT INTENDED TO PREVENT PEDESTRIAN TRAFFIC.



**NOTES:**

- ALL EXPOSED METALS SHALL BE HOT DIP GALVANIZED AFTER FABRICATION.
- PROVIDE 1/2" (MIN.) CLEARANCE ALL AROUND THE STEEL BEAM, DRY PACK AFTER INSTALLATION.
- WHEN REQUIRED BY LENGTH OF OPENING, PLATE ANGLE MAY BE DELIVERED IN SECTIONS AND BUTT WELDED IN PLACE.
- ALL GALVANIZING DAMAGED BY WELDING SHALL RECEIVE TWO COATS OF GALVALLOY OR EQUAL.
- CONCRETE SHALL BE MODIFIED CLASS DA, SEE SPECIAL PROVISIONS SECTION 501.
- SEE GENERAL NOTES FOR STRUCTURES ON DWG DB.
- ANGLE ANCHORS SHALL BE EMBEDDED MIDPOINT IN EACH ENDWALL AND EVENLY SPACED. (MAXIMUM SPACING OF 2')

**APPROVAL:** \_\_\_\_\_ DATE \_\_\_\_\_  
 LAS VEGAS VALLEY WATER DISTRICT

LVVWD NO. 111714

