

DATE: 9/18/05

REV. DATE: DATE: AGEN. APP. DATE: (CIV. APP. DATE)

DESCRIPTION:

DESIGN: DRAWN: CHECK: ISSUE DATE: PLOT DATE: 11-10-05

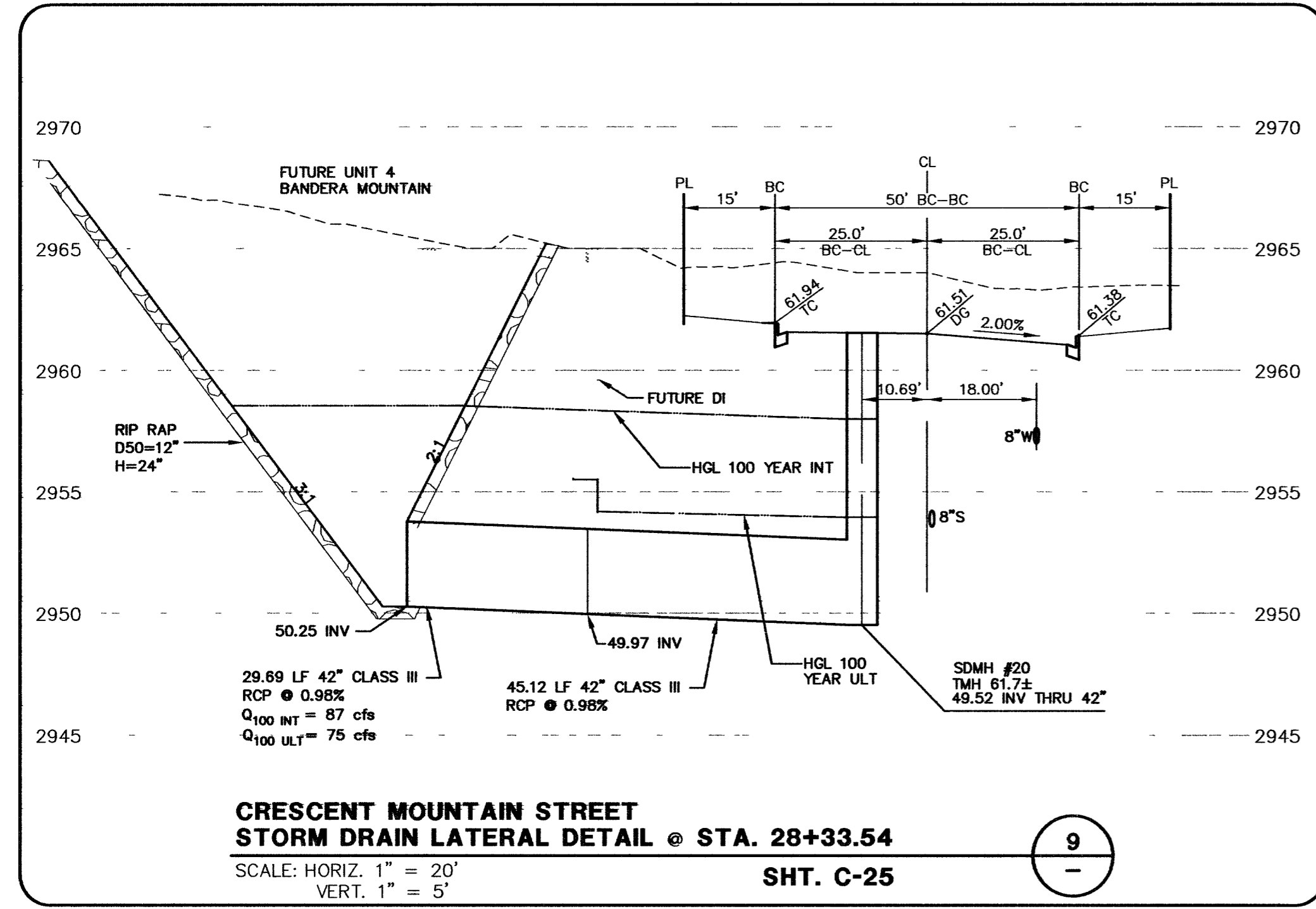
DESIGNER: G.C. WALLACE, INC. Engineers/Planners/Surveyors

1555 SOUTH RAINBOW BLVD., LAS VEGAS, NEVADA 89146  
TELEPHONE: (702) 804-2000 • FAX: (702) 804-2289  
E: Northern.Terrace@wallaceinc.com

MERITAGE HOMES  
NORTHERN TERRACE - UNIT 1  
LATERAL DETAILS I

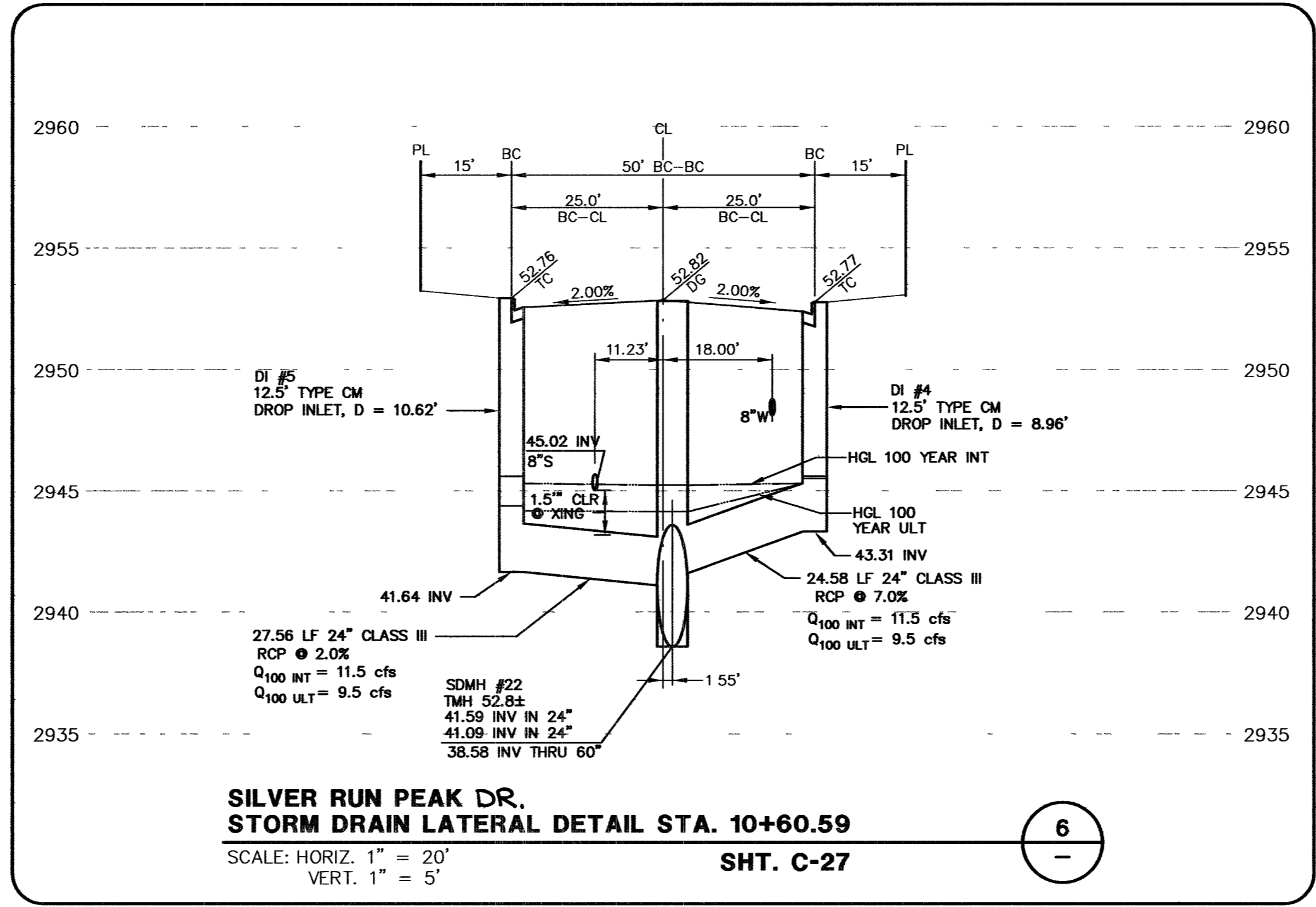
DRAWING: C-34  
SHT OF 39 SHTS

JOB NO. 89.002.X08



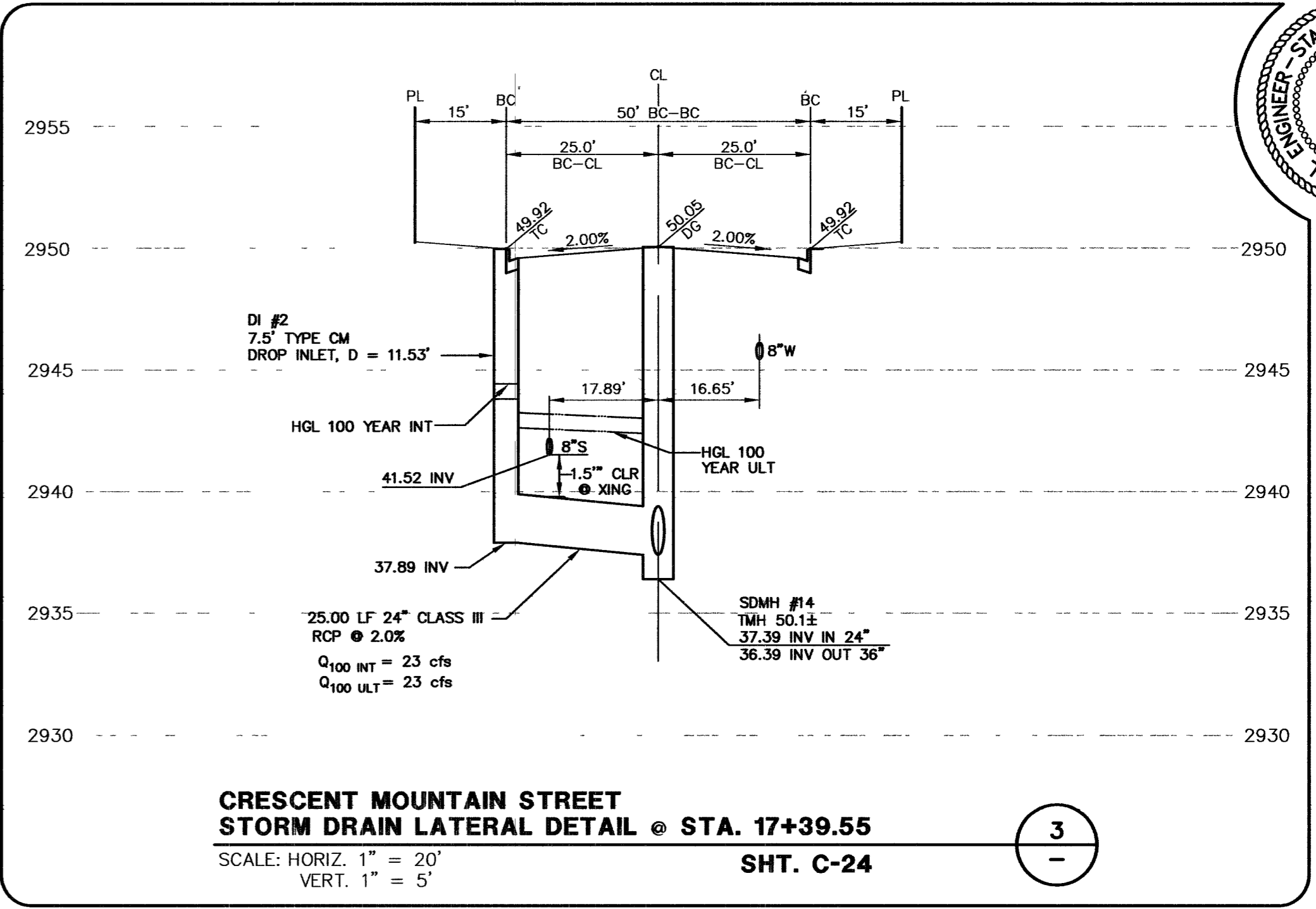
**CRESCENT MOUNTAIN STREET  
STORM DRAIN LATERAL DETAIL @ STA. 28+33.54**  
SCALE: HORIZ. 1" = 20'  
VERT. 1" = 5'

9



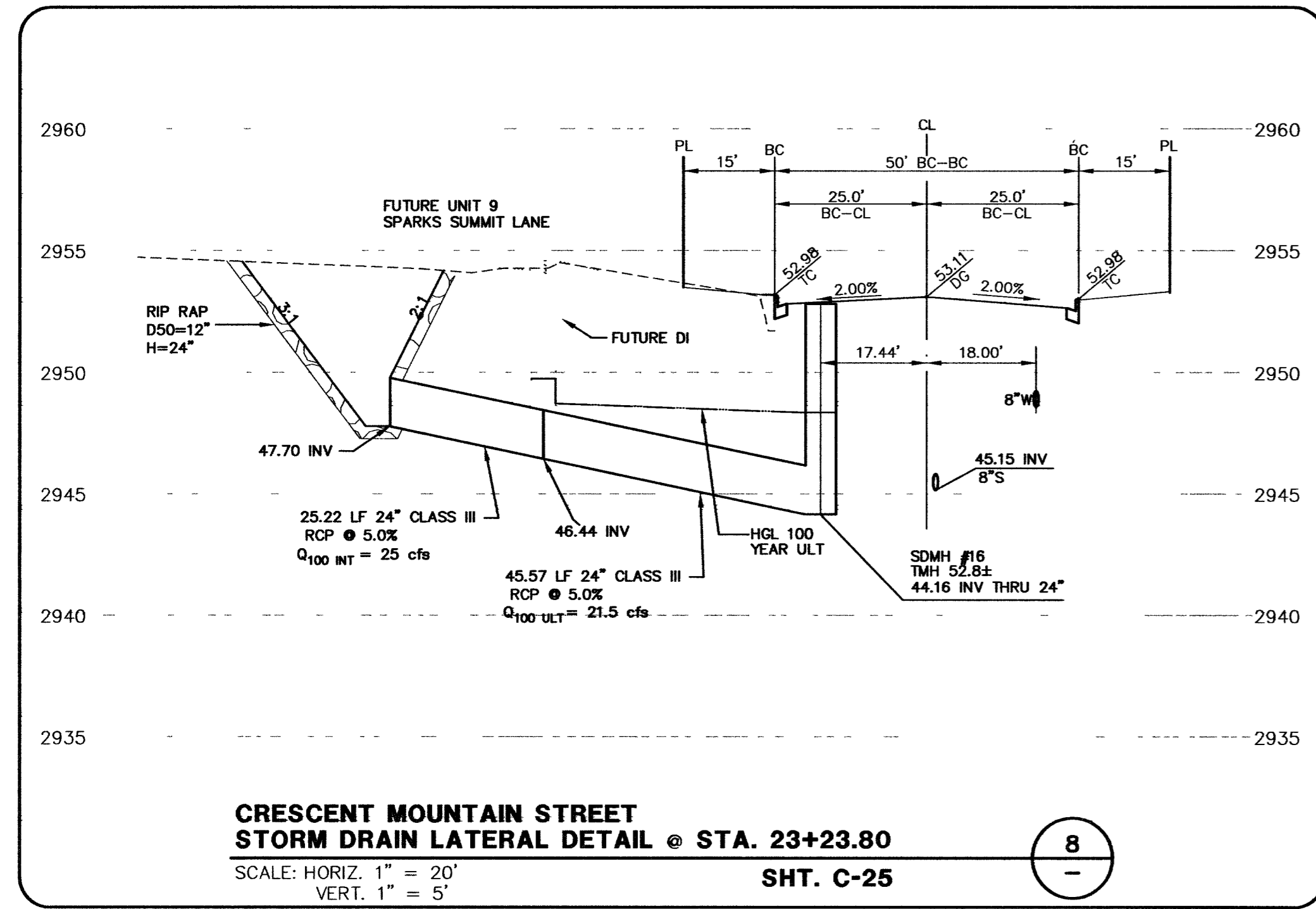
**SILVER RUN PEAK DR.  
STORM DRAIN LATERAL DETAIL STA. 10+60.59**  
SCALE: HORIZ. 1" = 20'  
VERT. 1" = 5'

6



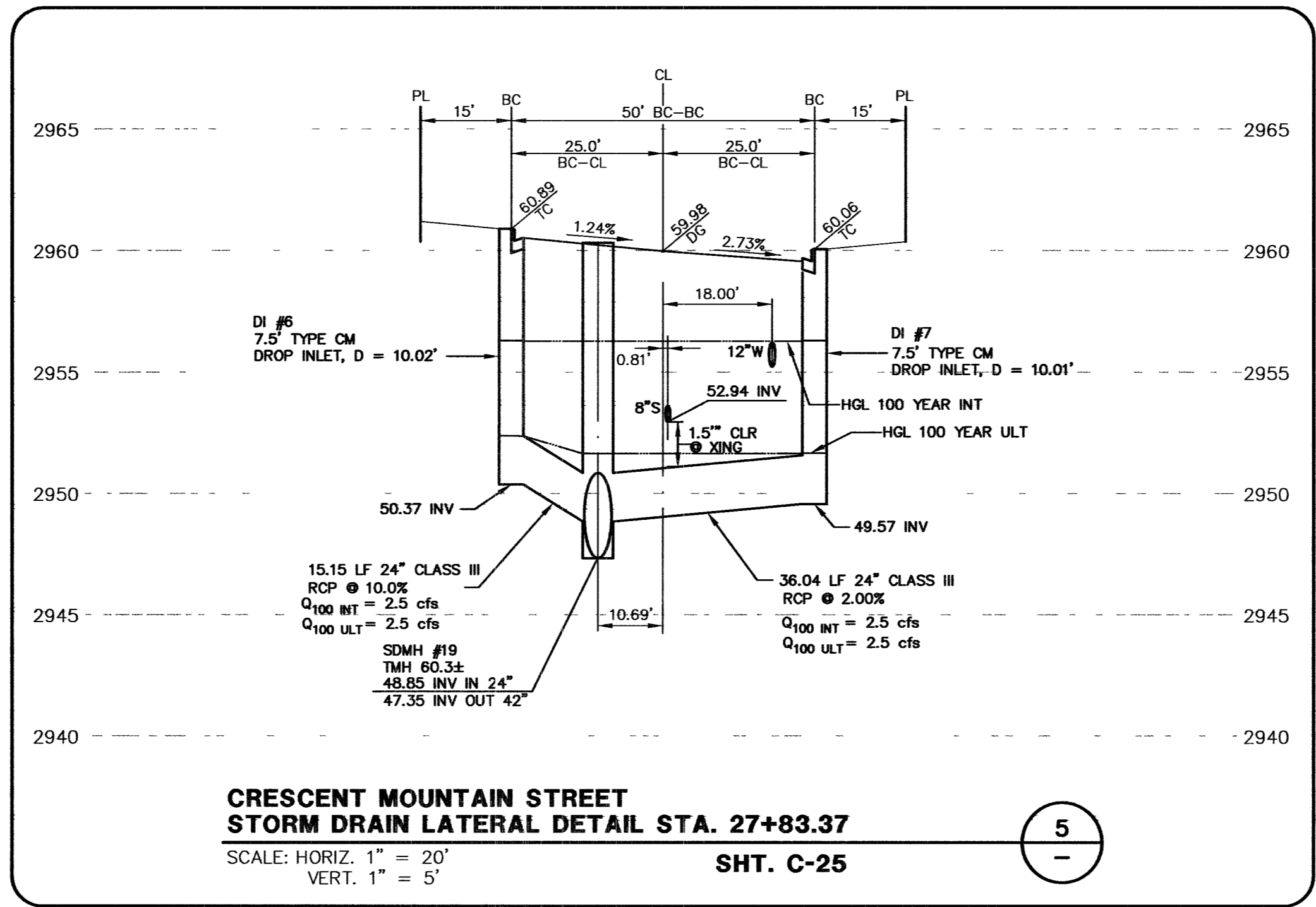
**CRESCENT MOUNTAIN STREET  
STORM DRAIN LATERAL DETAIL @ STA. 17+39.55**  
SCALE: HORIZ. 1" = 20'  
VERT. 1" = 5'

3



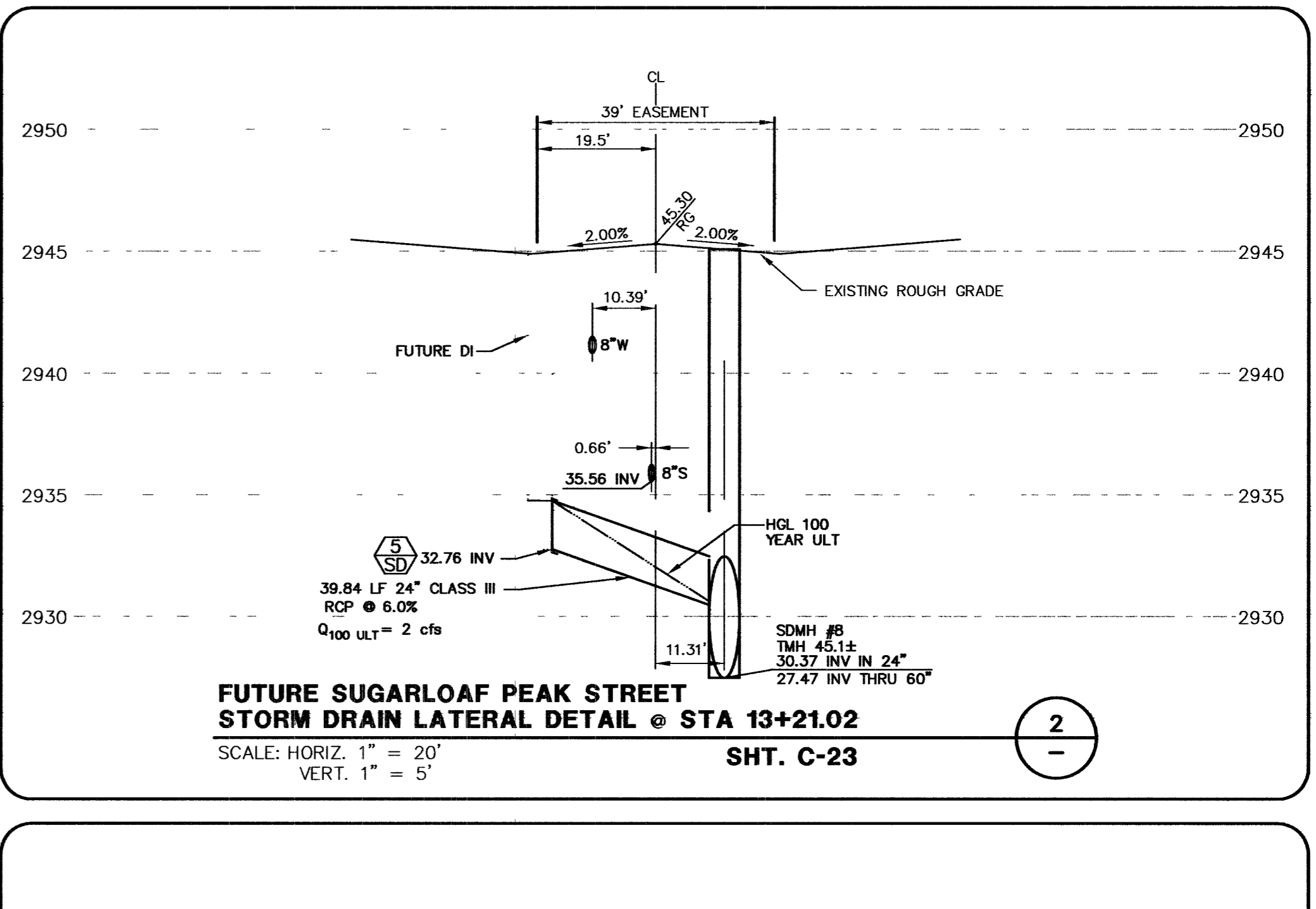
**CRESCENT MOUNTAIN STREET  
STORM DRAIN LATERAL DETAIL @ STA. 23+23.80**  
SCALE: HORIZ. 1" = 20'  
VERT. 1" = 5'

8



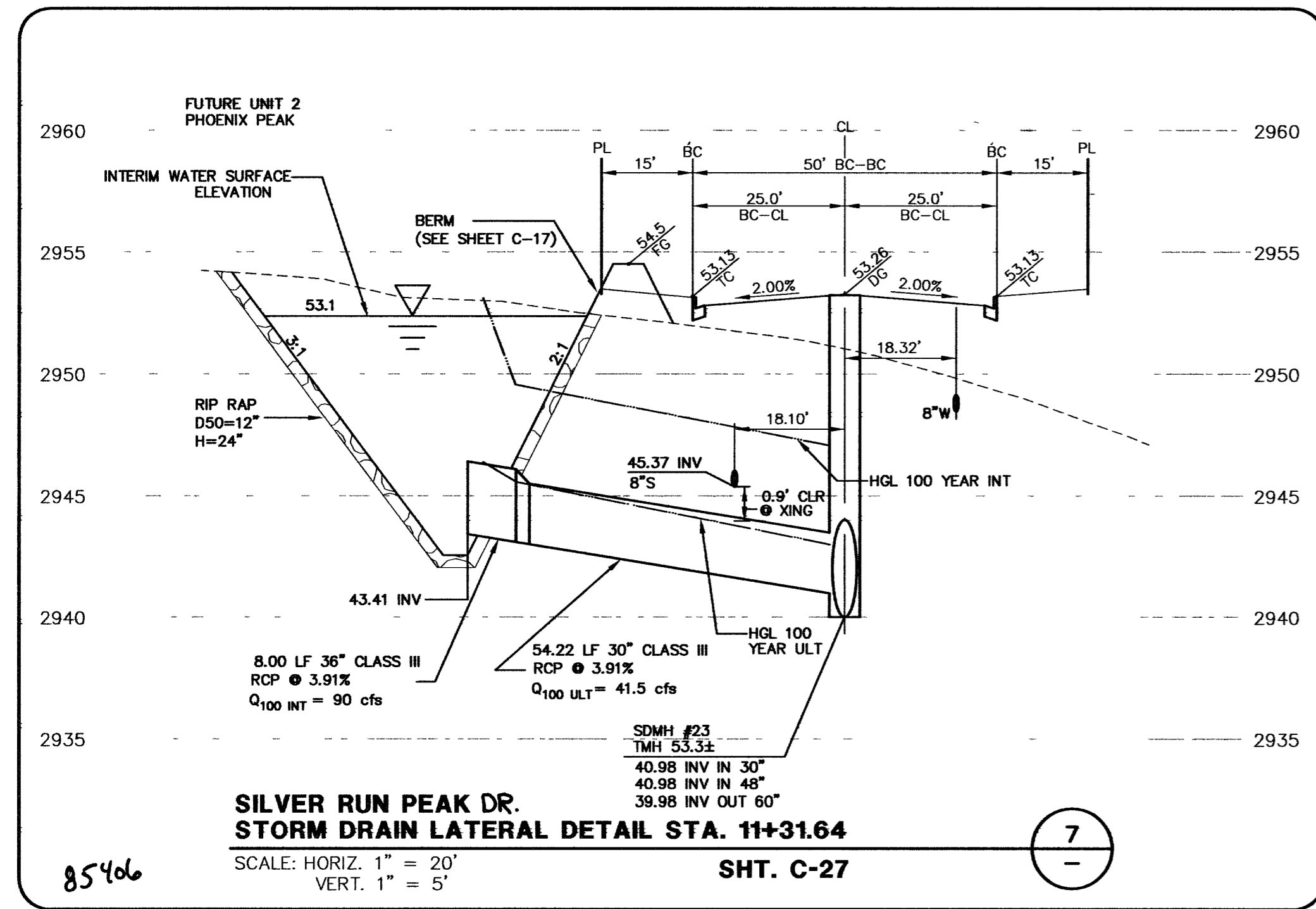
**CRESCENT MOUNTAIN STREET  
STORM DRAIN LATERAL DETAIL STA. 27+83.37**  
SCALE: HORIZ. 1" = 20'  
VERT. 1" = 5'

5



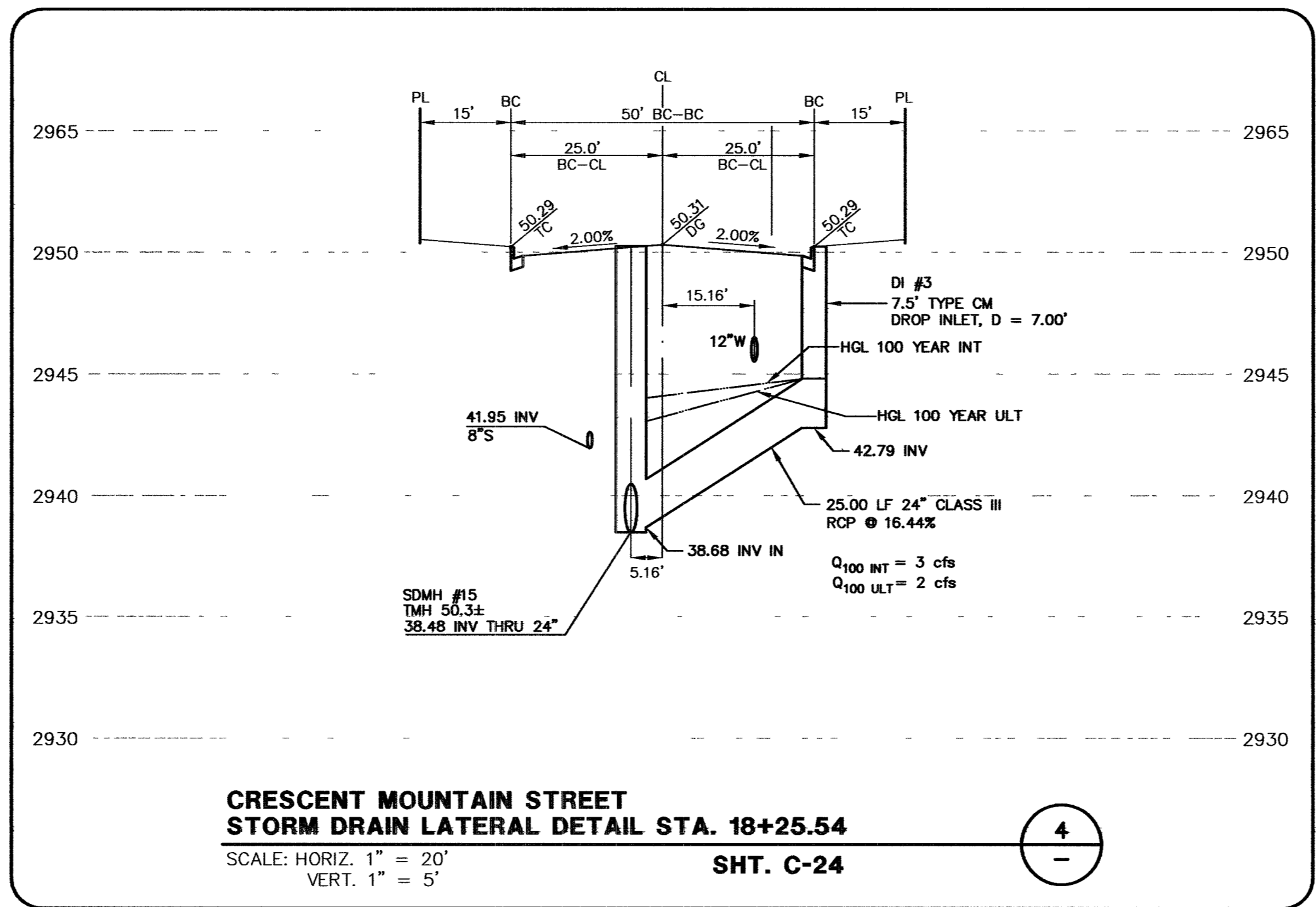
**FUTURE SUGARLOAF PEAK STREET  
STORM DRAIN LATERAL DETAIL @ STA 13+21.02**  
SCALE: HORIZ. 1" = 20'  
VERT. 1" = 5'

2



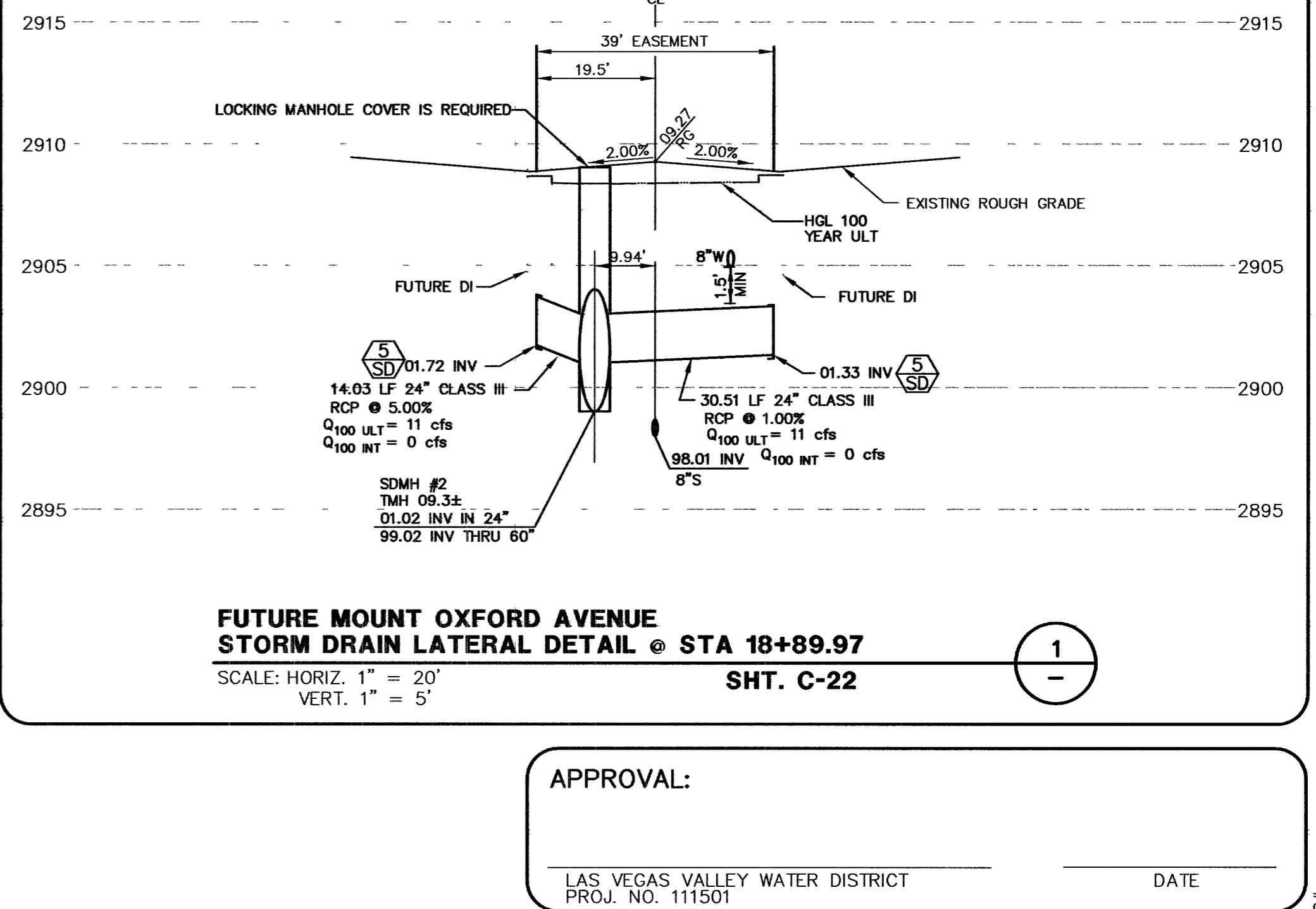
**SILVER RUN PEAK DR.  
STORM DRAIN LATERAL DETAIL STA. 11+31.64**  
SCALE: HORIZ. 1" = 20'  
VERT. 1" = 5'

7



**CRESCENT MOUNTAIN STREET  
STORM DRAIN LATERAL DETAIL STA. 18+25.54**  
SCALE: HORIZ. 1" = 20'  
VERT. 1" = 5'

4



**FUTURE MOUNT OXFORD AVENUE  
STORM DRAIN LATERAL DETAIL @ STA 18+89.97**  
SCALE: HORIZ. 1" = 20'  
VERT. 1" = 5'

1

APPROVAL: \_\_\_\_\_ DATE: \_\_\_\_\_  
LAS VEGAS VALLEY WATER DISTRICT  
PROJ. NO. 111501

10744891-1