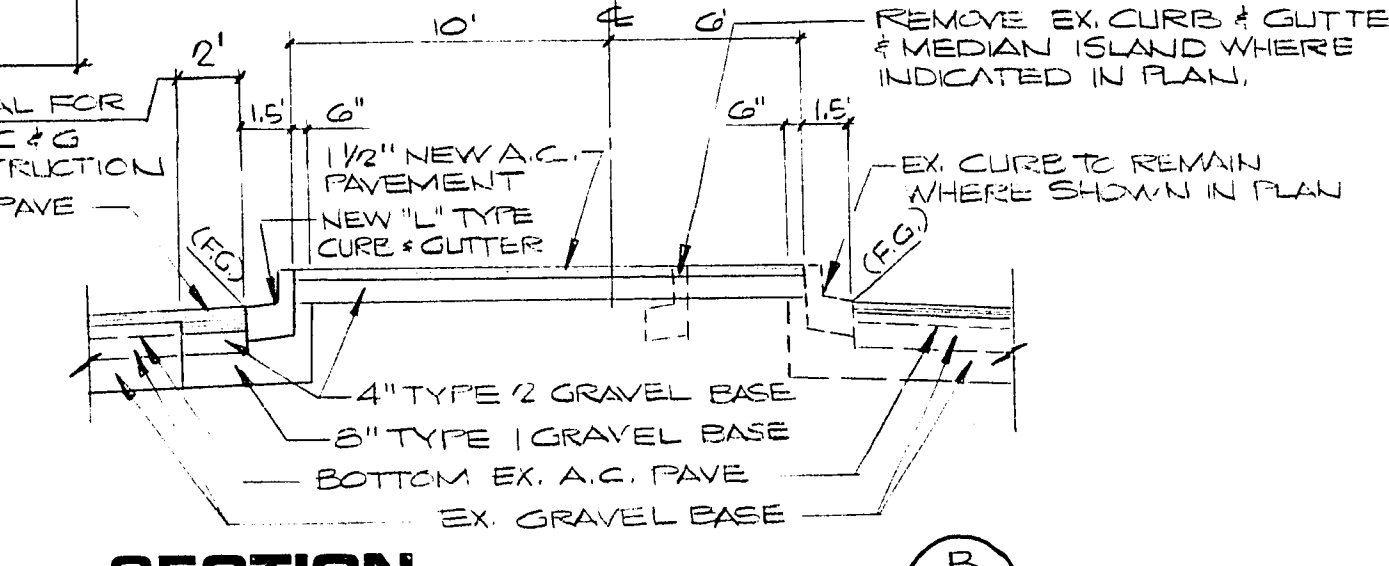
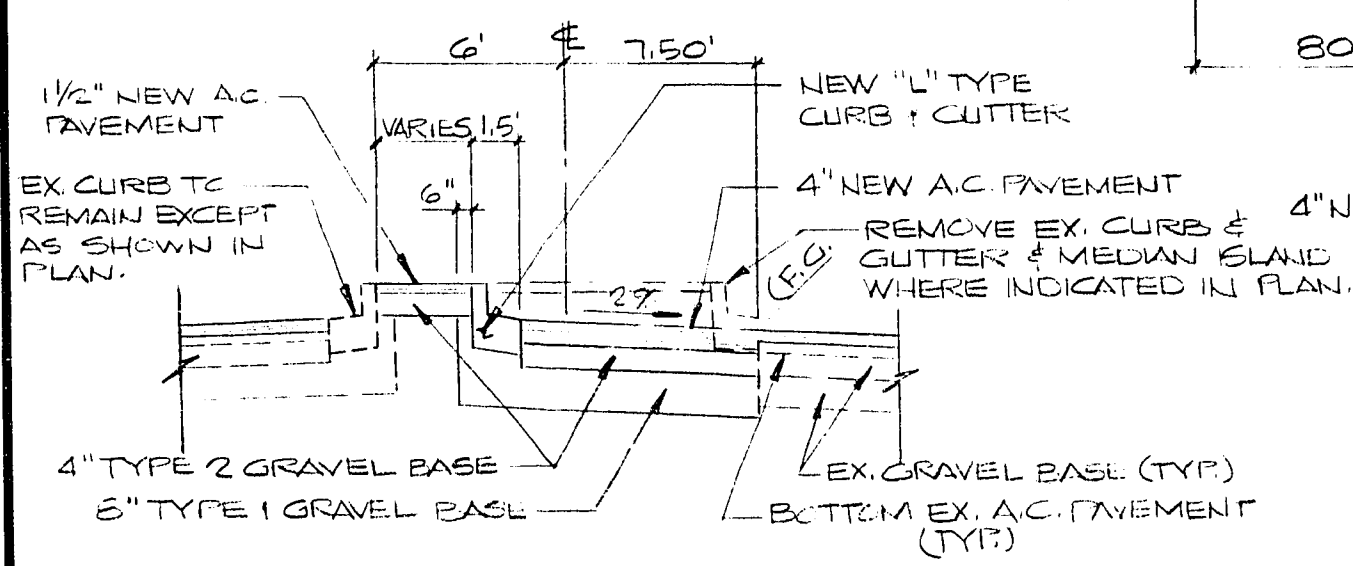
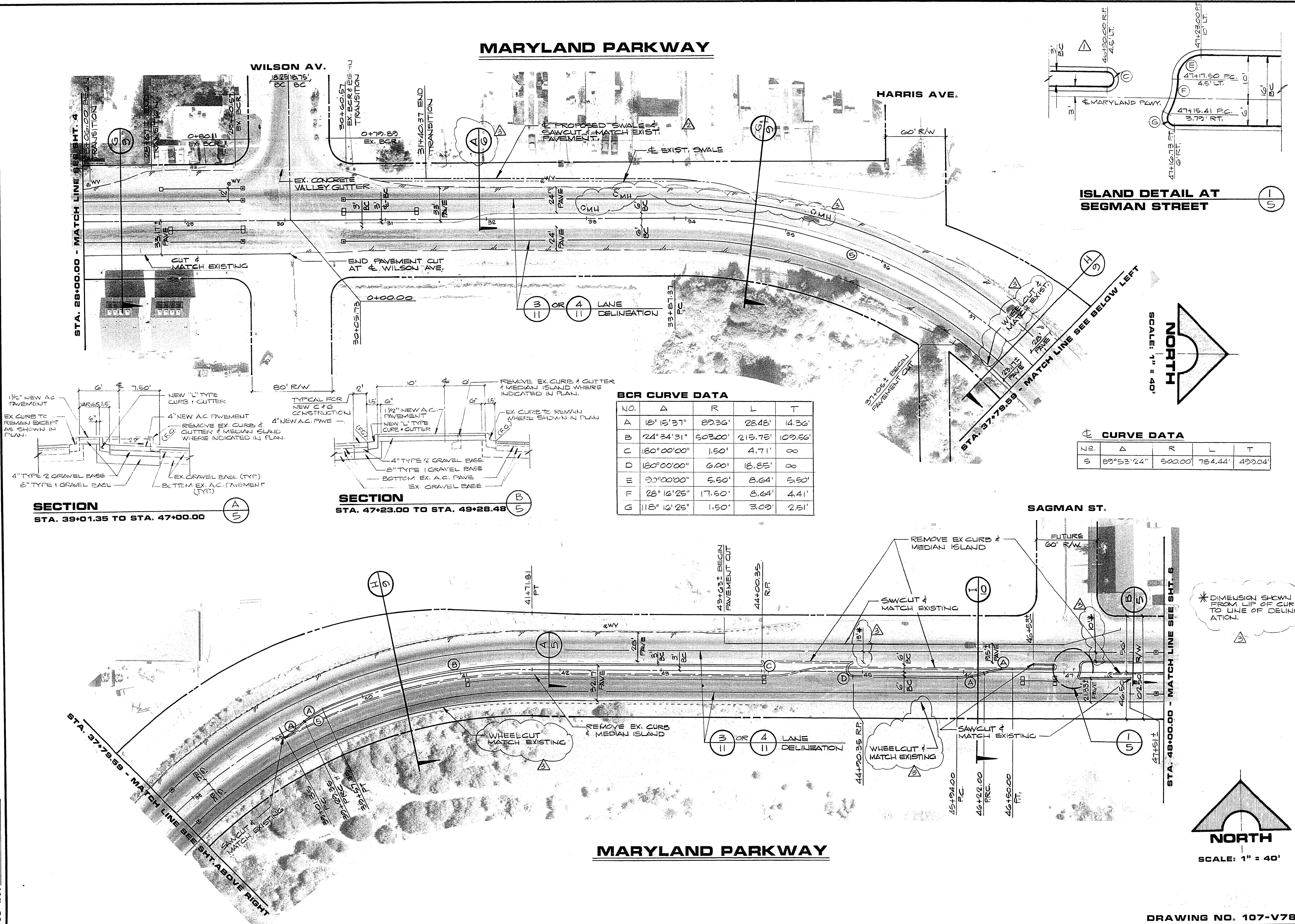


MARYLAND PARKWAY

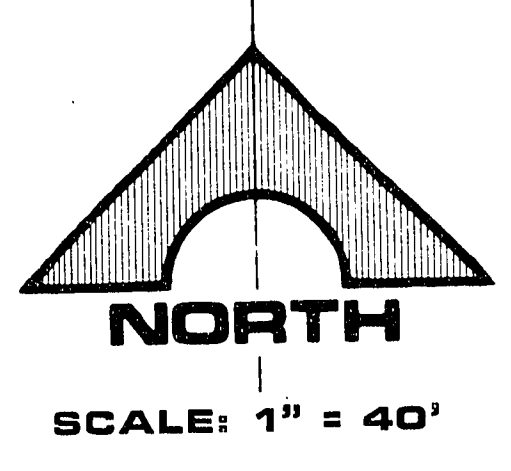
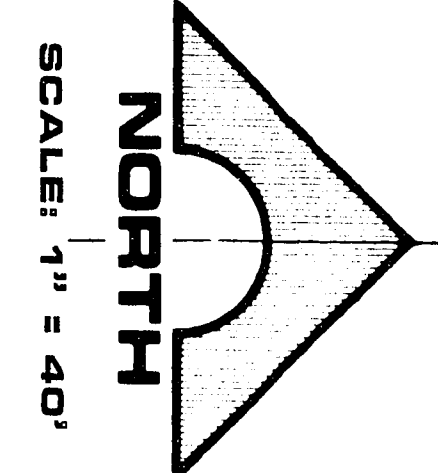
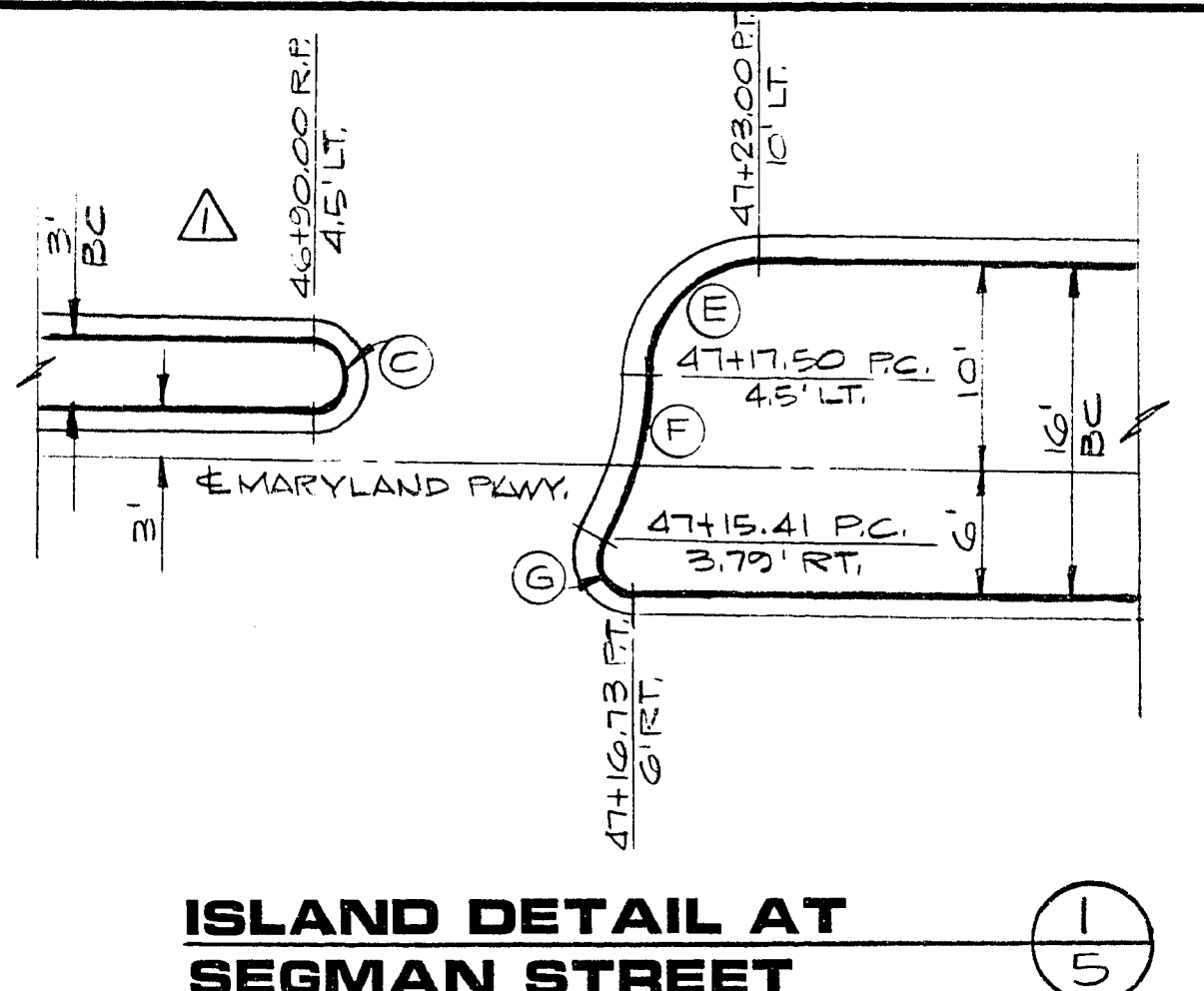


BCR CURVE DATA

NO.	Δ	R	L	T
A	18° 15' 37"	893.36'	28.48'	14.36'
B	24° 34' 31"	502.00'	215.75'	109.66'
C	180° 00' 00"	1.50'	4.71'	∞
D	180° 00' 00"	6.00'	18.85'	∞
E	23° 00' 00"	5.50'	8.64'	5.50'
F	28° 16' 25"	17.50'	8.64'	4.41'
G	118° 16' 25"	1.50'	3.09'	2.51'

CURVE DATA

NO.	Δ	R	L	T
5	89° 53' 24"	502.00'	784.44'	499.04'



RECOMMENDED APPROVED
 DATE 10-15-82
 REVISIONS
 1/10/82 REV. SWALE RELOCATION
 2/10/82 REV. SWALE RELOCATION
 3/10/82 "AS BUILT"

G. C. WALLACE
 Consulting Engineers, Inc.
 1100 East Sahara Ave. - Las Vegas, Nevada 89104 - 792-3330

Department of Public Services
 MARYLAND PARKWAY
 PLAN STA. 28+00 TO STA. 48+00

SHEET 5
 OF 11 SHEETS

DRAWING NO. 107-V789D

JOB NO. 412.170