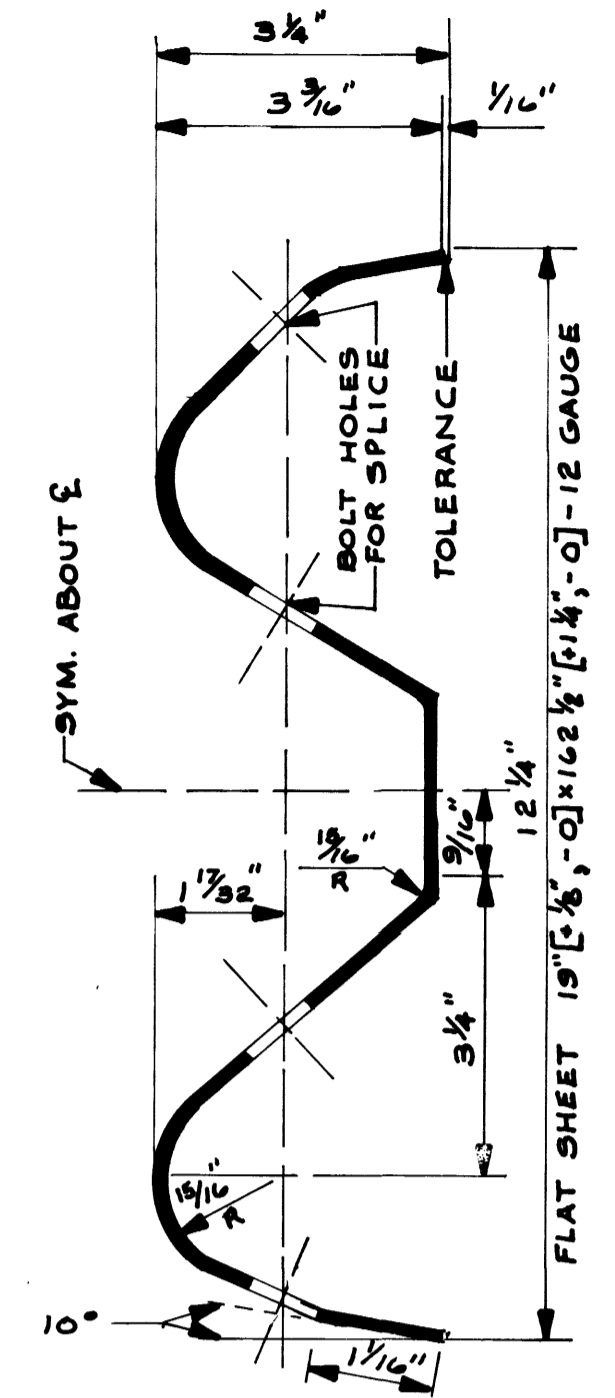
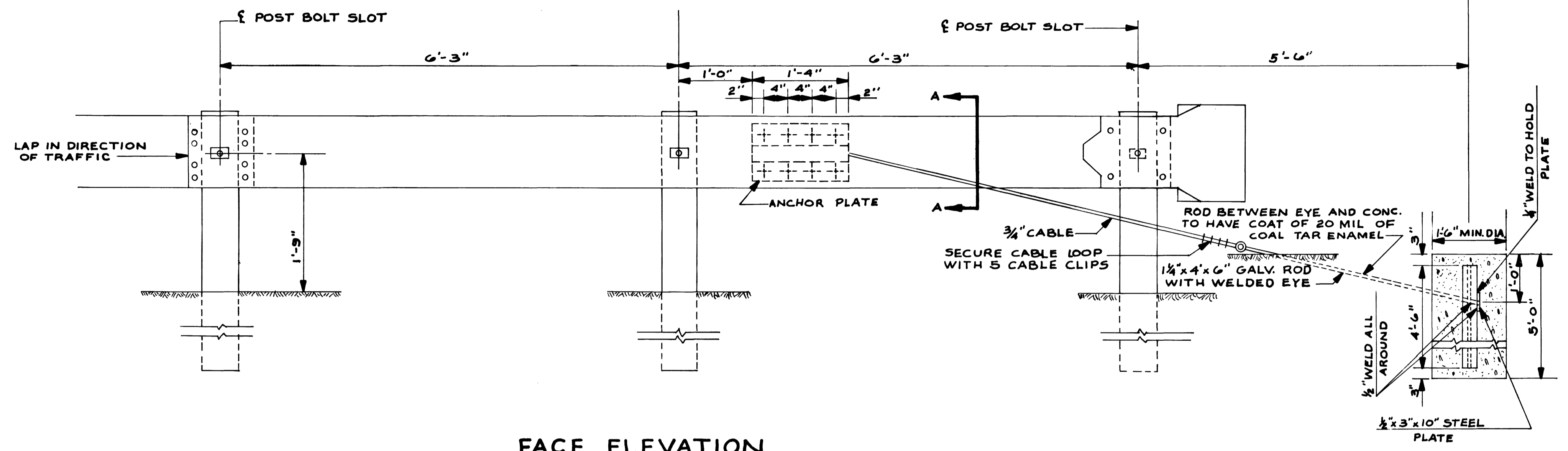


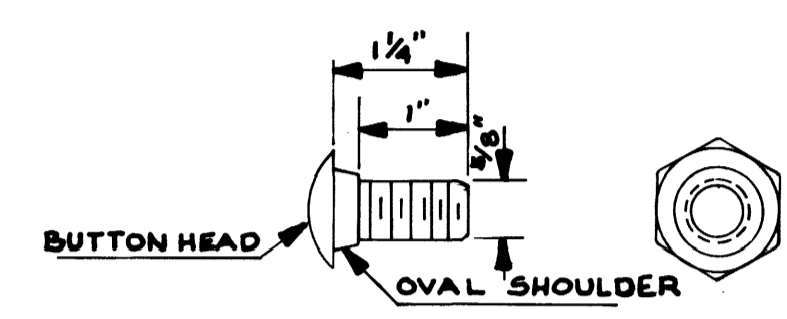
RAIL SPLICE



SECTION THRU RAIL ELEMENT

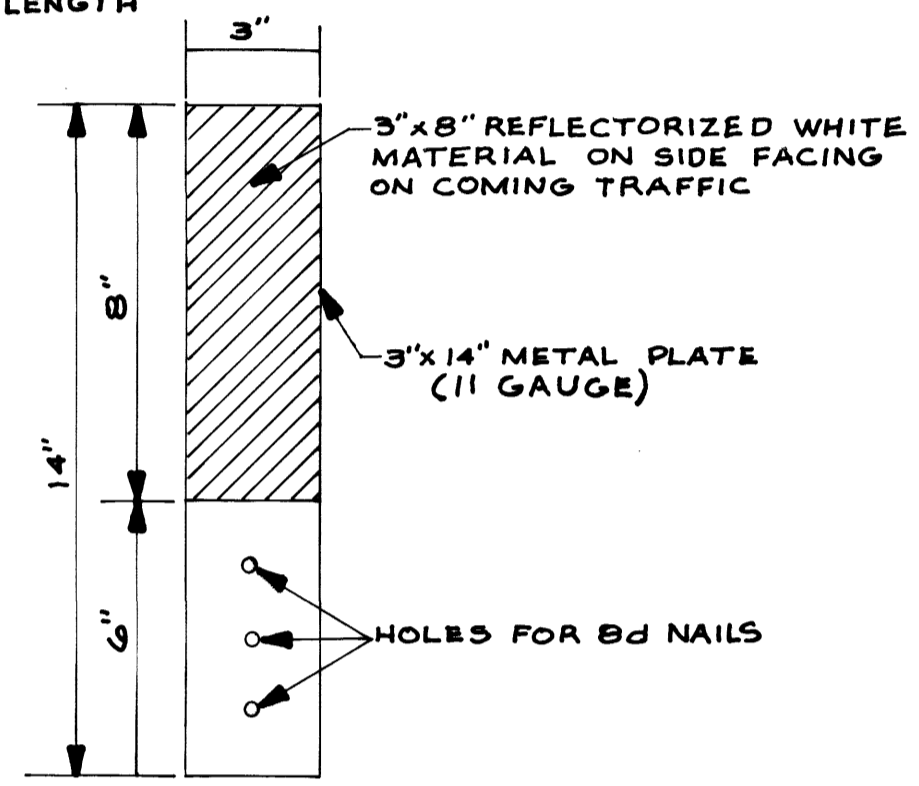


FACE ELEVATION

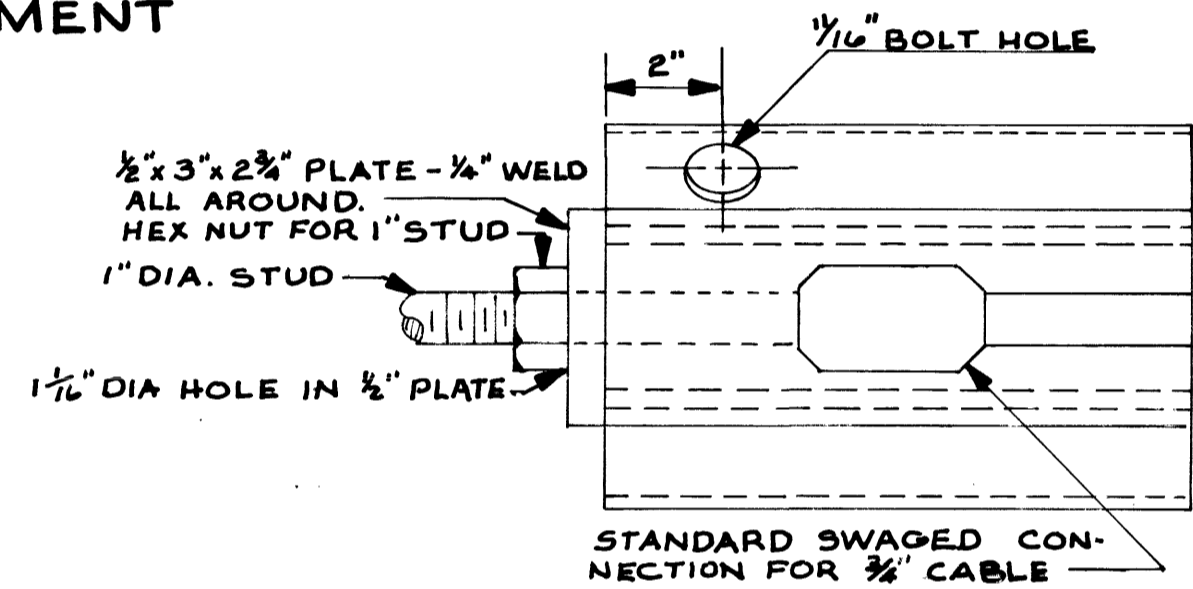


BOLT & NUT

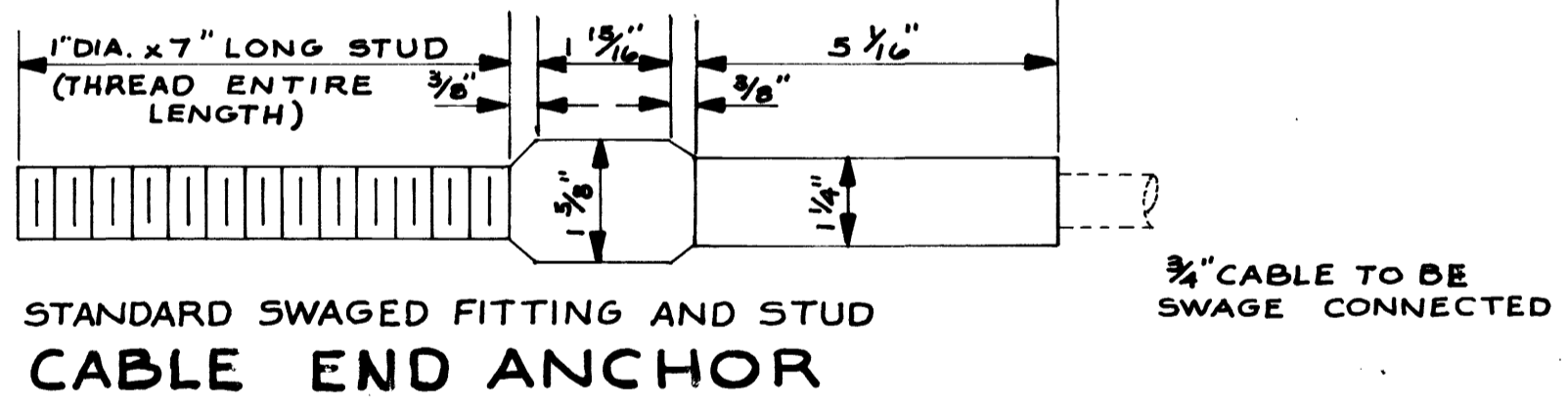
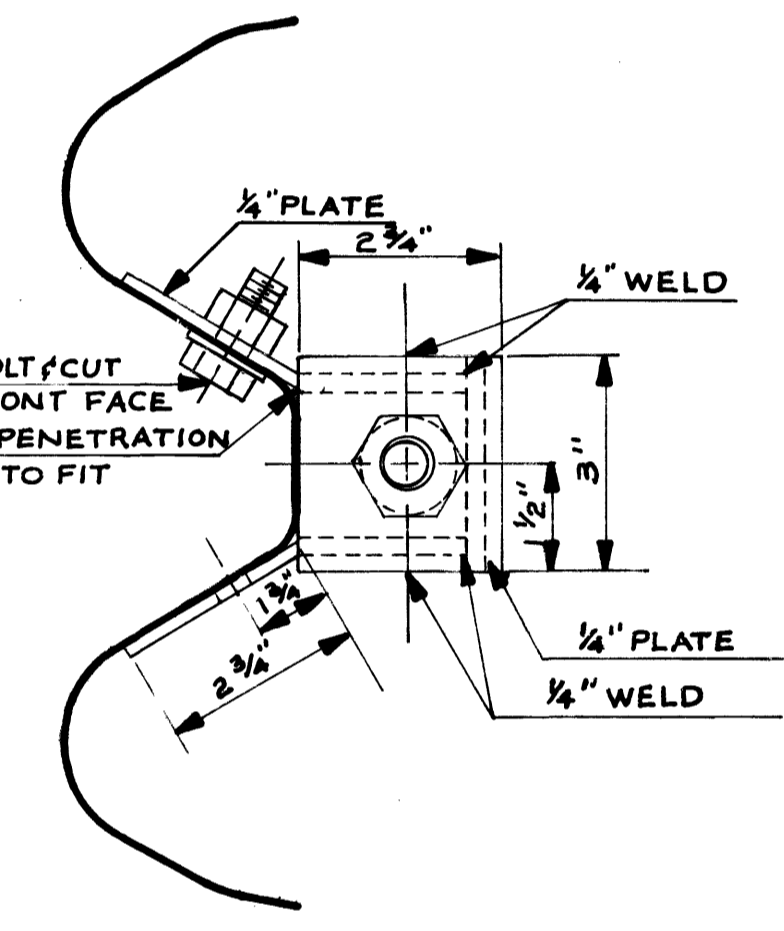
NOTE: POST BOLT SIMILAR EXCEPT LENGTH



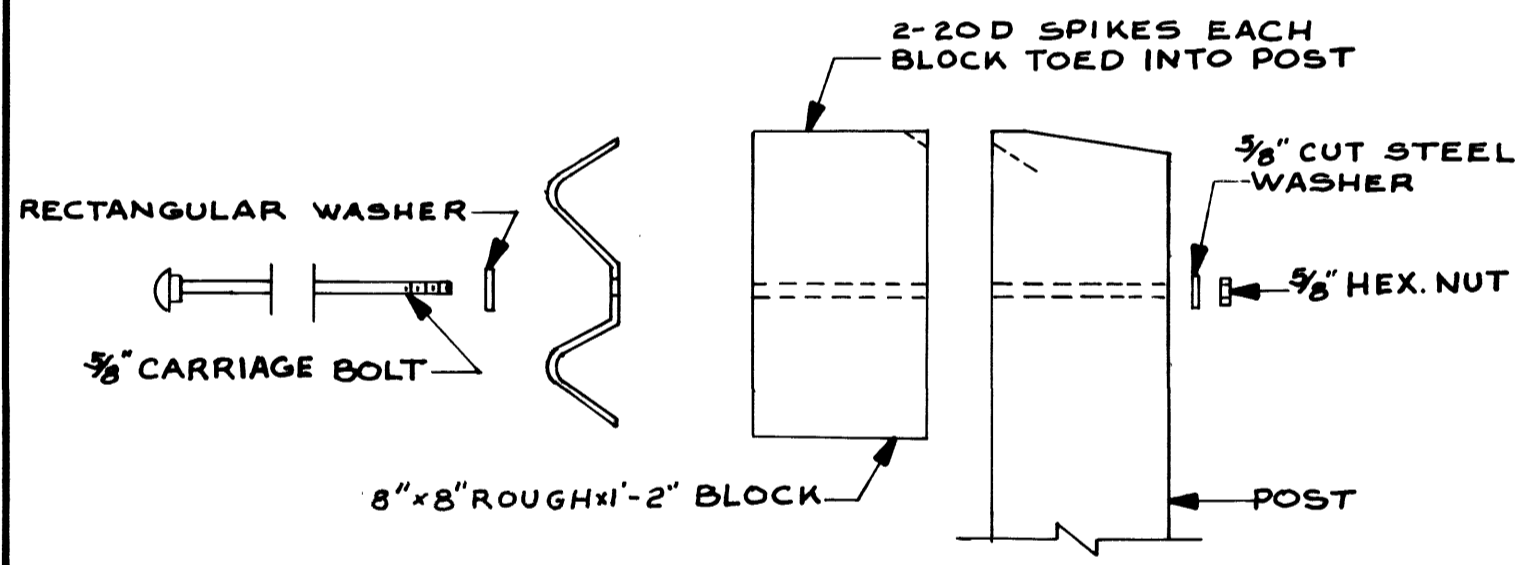
REFLECTOR PLATE DETAIL



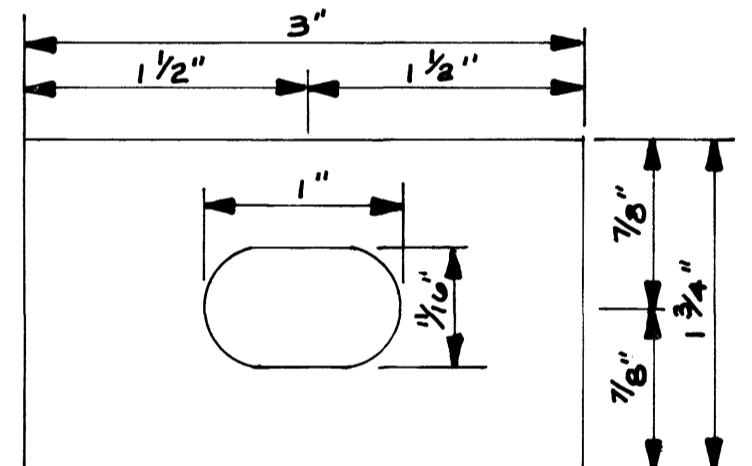
STANDARD SWAGED CONNECTION FOR 3/4 CABLE



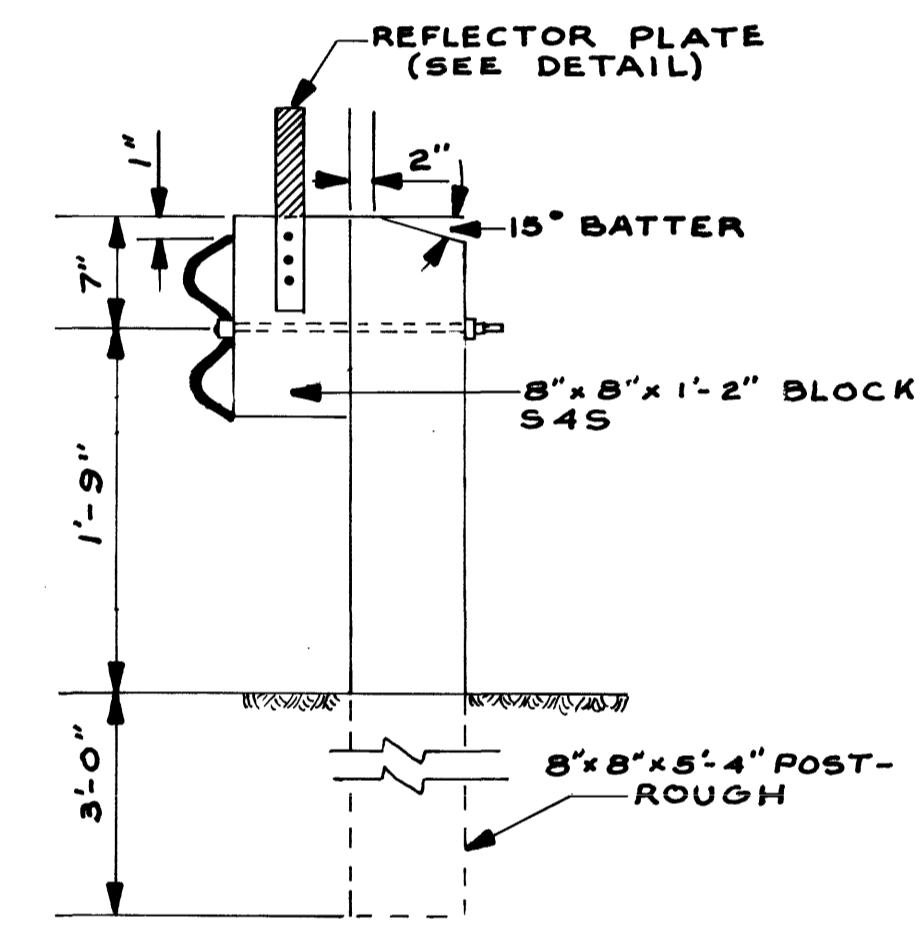
STANDARD SWAGED FITTING AND STUD CABLE END ANCHOR



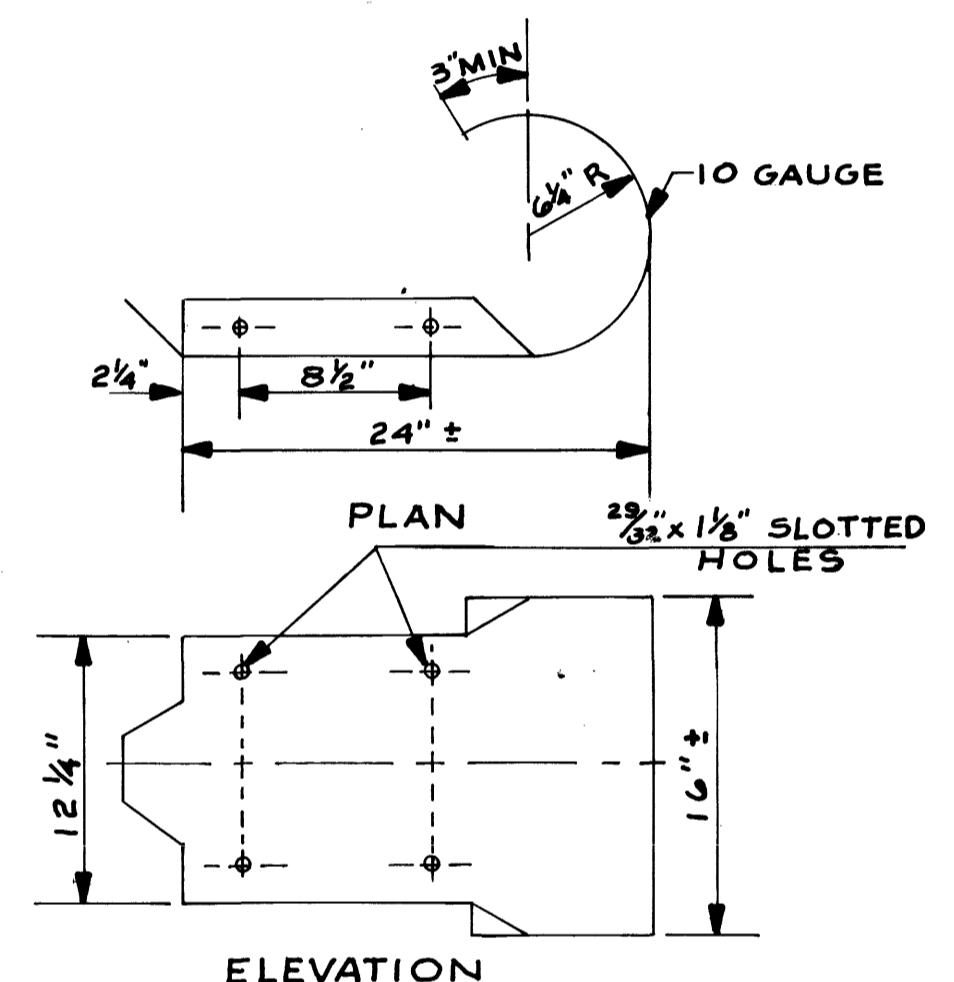
POST BOLT HARDWARE (GALVANIZED)



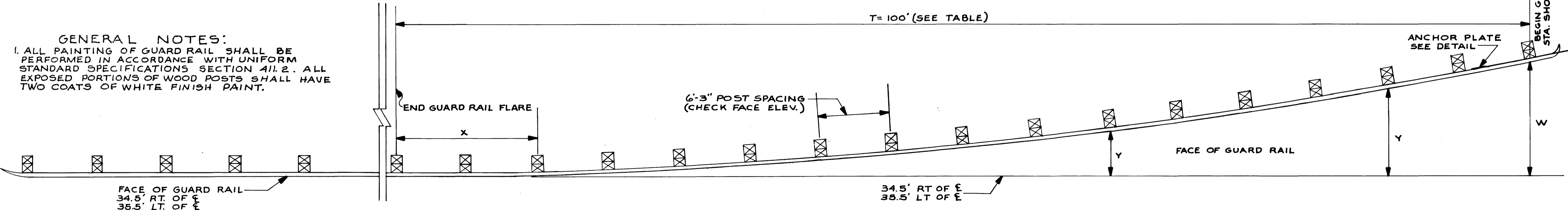
RECTANGULAR POST BOLT WASHER (7 GAUGE GALVANIZED)



SEC. A-A



TERMINAL SECTION



TYPE 1 PLAN

GENERAL NOTES:  
1. ALL PAINTING OF GUARD RAIL SHALL BE PERFORMED IN ACCORDANCE WITH UNIFORM STANDARD SPECIFICATIONS SECTION 411.2. ALL EXPOSED PORTIONS OF WOOD POSTS SHALL HAVE TWO COATS OF WHITE FINISH PAINT.

TABLE							
W IN FEET	MULTIPLES OF X			X = 12.5'	T		
10	0.16	0.63	1.41	2.50	3.91	5.63	7.66
							100'

NOTE: SEE SHEET 3 FOR TYPICAL SECTIONS

CONTRACT DRAWING  
JUN 4 1971

CITY OF LAS VEGAS NEVADA  
DEPARTMENT OF PUBLIC WORKS  
SERVICES DIVISION

**GUARD RAIL DETAIL**

W.O. NO. 7620	F.B.R. NO. 64-7X	DATE	DRAWING NO.
SC. (H) NO. SCALE	SC. (V)	18 FEB. 71	107V-789A
DES. E. LOUVIERE	DR. C. KREHNOVY	APPROVED BY DIRECTOR OF PUBLIC WORKS	FILE NO.
		<i>C. Krehnovy</i>	6-4-71
			SHEET 26 OF 31