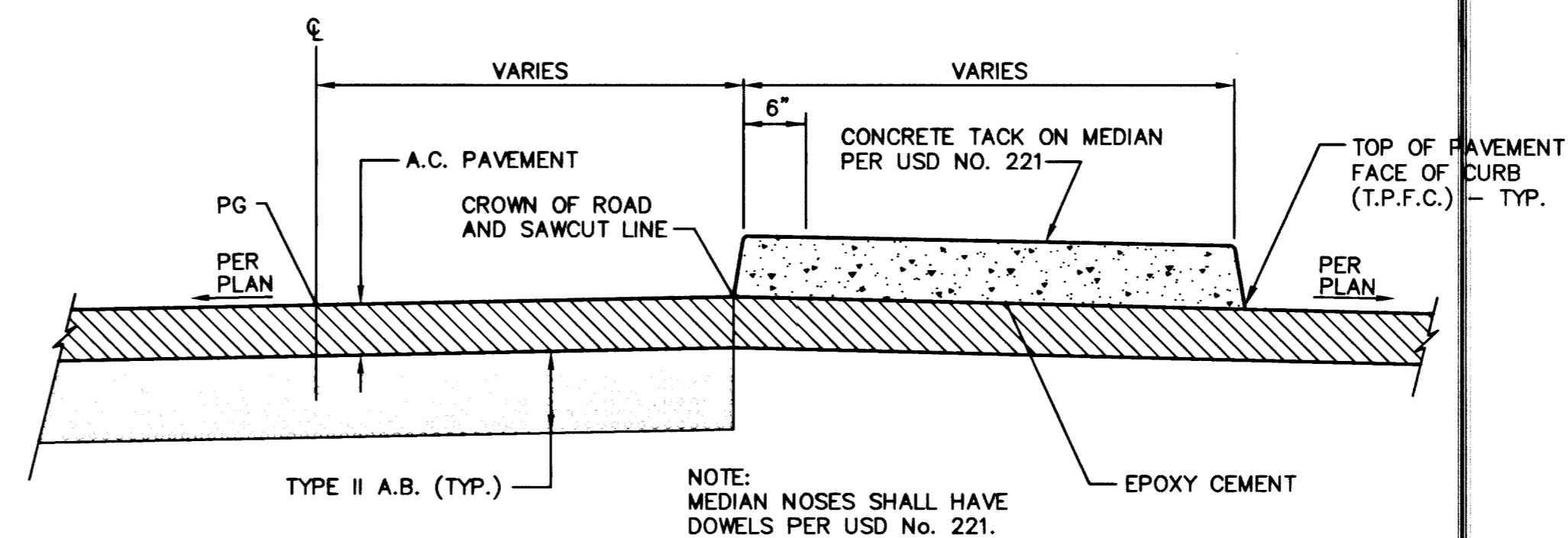


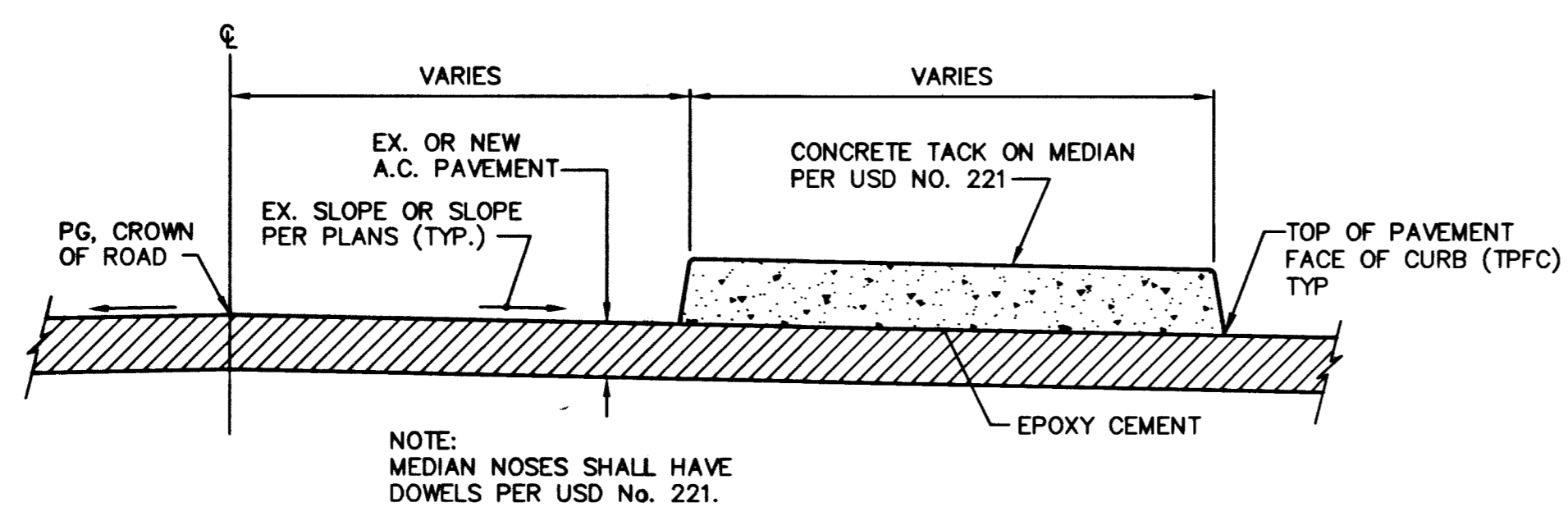
"A" TYPE MEDIAN

(A) OFFSET CROWN TACK ON CURB MEDIAN  
NO SCALE



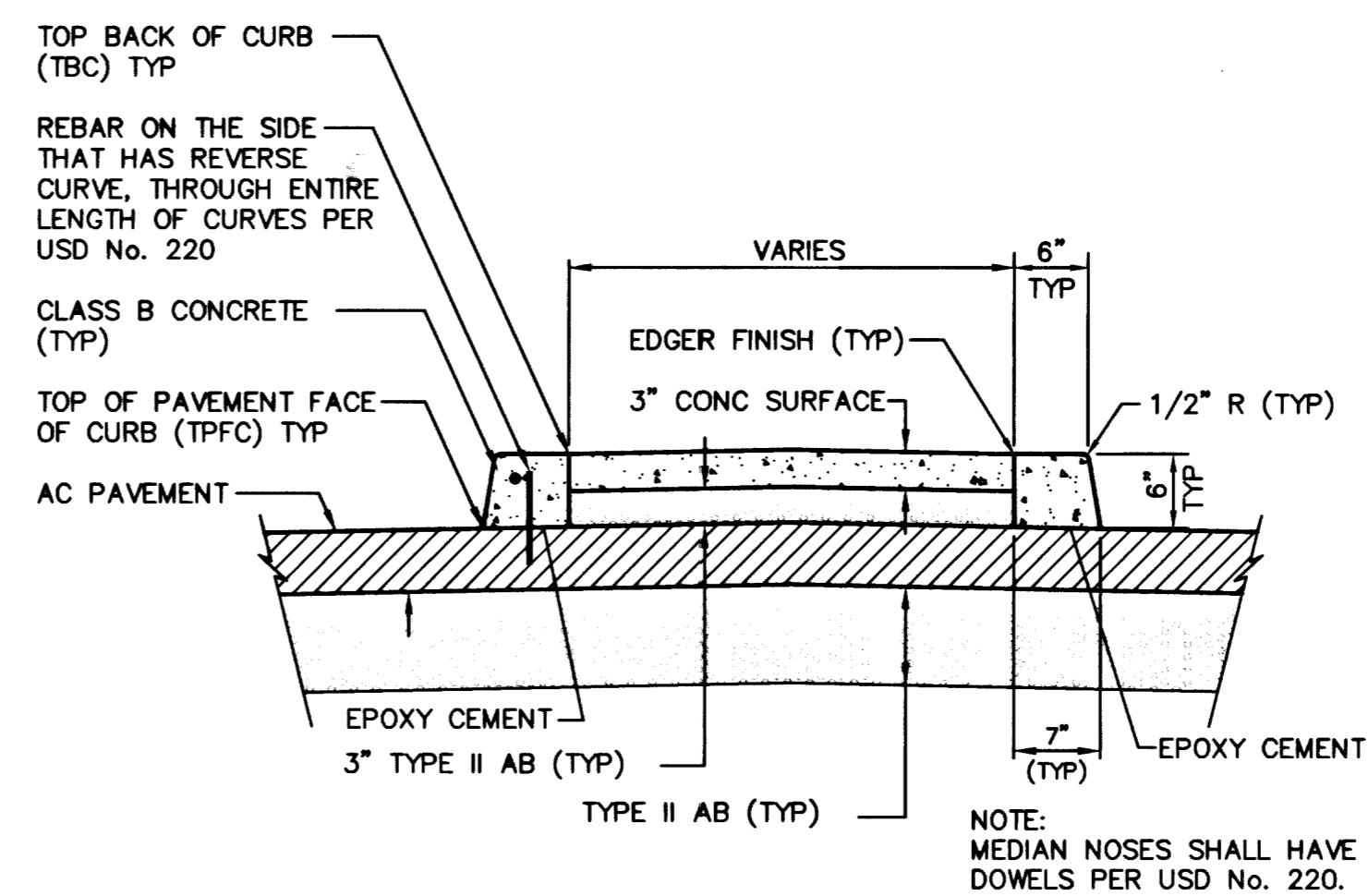
"B" TYPE MEDIAN

(B) OFFSET CROWN TACK ON MEDIAN AT SAWCUT LINE  
NO SCALE



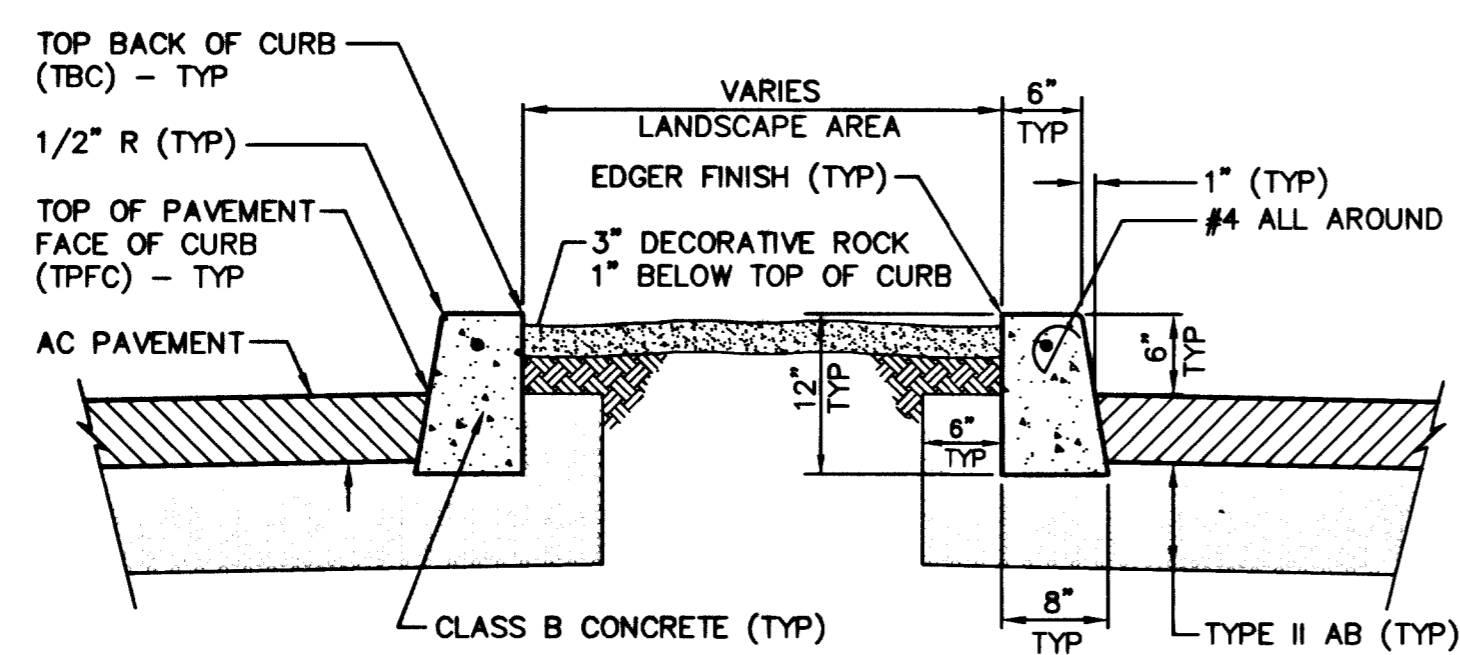
"C" TYPE MEDIAN

(C) CENTERLINE CROWN TACK ON MEDIAN  
NO SCALE



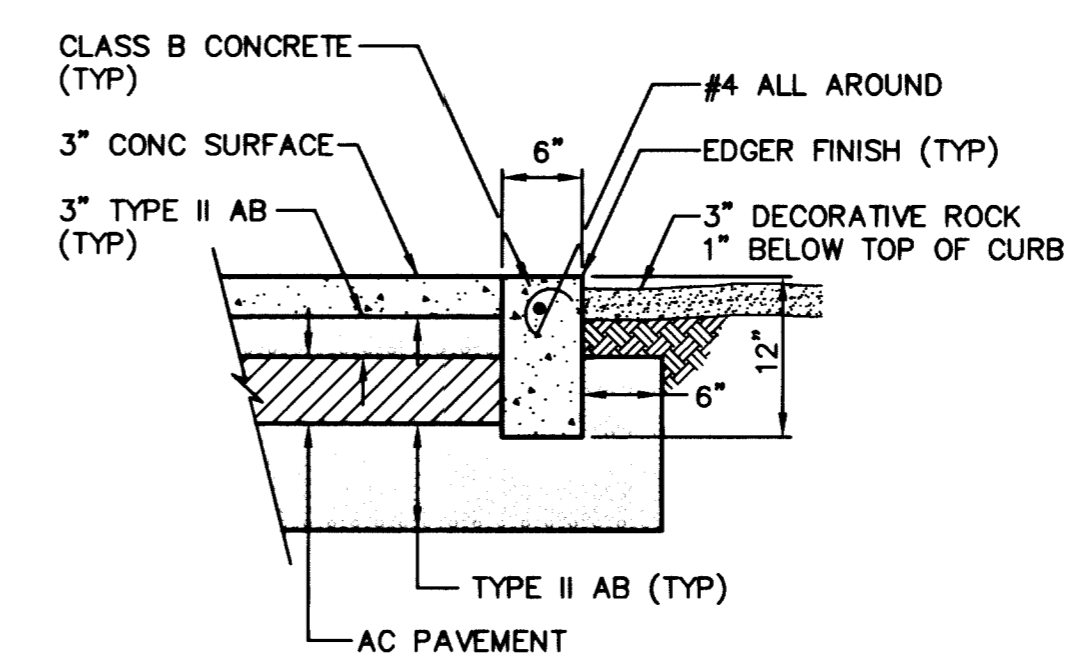
"D" TYPE MEDIAN

(D) TACK ON CURB MEDIAN  
NO SCALE



"E" TYPE MEDIAN

(E) LANDSCAPE MEDIAN w/MODIFIED TYPE "A" CURB  
NO SCALE



"H" TYPE CUTOFF

(F) CONCRETE TO LANDSCAPE MEDIAN CUTOFF SECTION  
NO SCALE

REVISION	BY	DATE

DEPARTMENT OF PUBLIC WORKS  
CITY OF LAS VEGAS

CONSULTING ENGINEERS • PLANNERS • LAND SURVEYORS  
2727 SOUTH RAINBOW BOULEVARD  
LAS VEGAS, NEVADA 89146-5148 PHONE (702) 873-7550 FAX (702) 362-2597

**vtm** nevada

TITLE: MISCELLANEOUS MEDIAN DETAILS

PROJECT: MARTIN L KING BLVD IMPROVEMENTS  
ALTA DR TO CAREY AVE

PROF. SEAL

KEN D. GILBRETH  
EXP. 08/30/07  
CIVIL  
No. 9177

NO. NO. 6224

DESIGNED BY RCH, LMW

DRAWN BY DRF

DATE 4/2/07

SCALE HORIZ. NONE  
VERT. NONE

DRAWING SHEET  
R31 OF 237 SHEETS