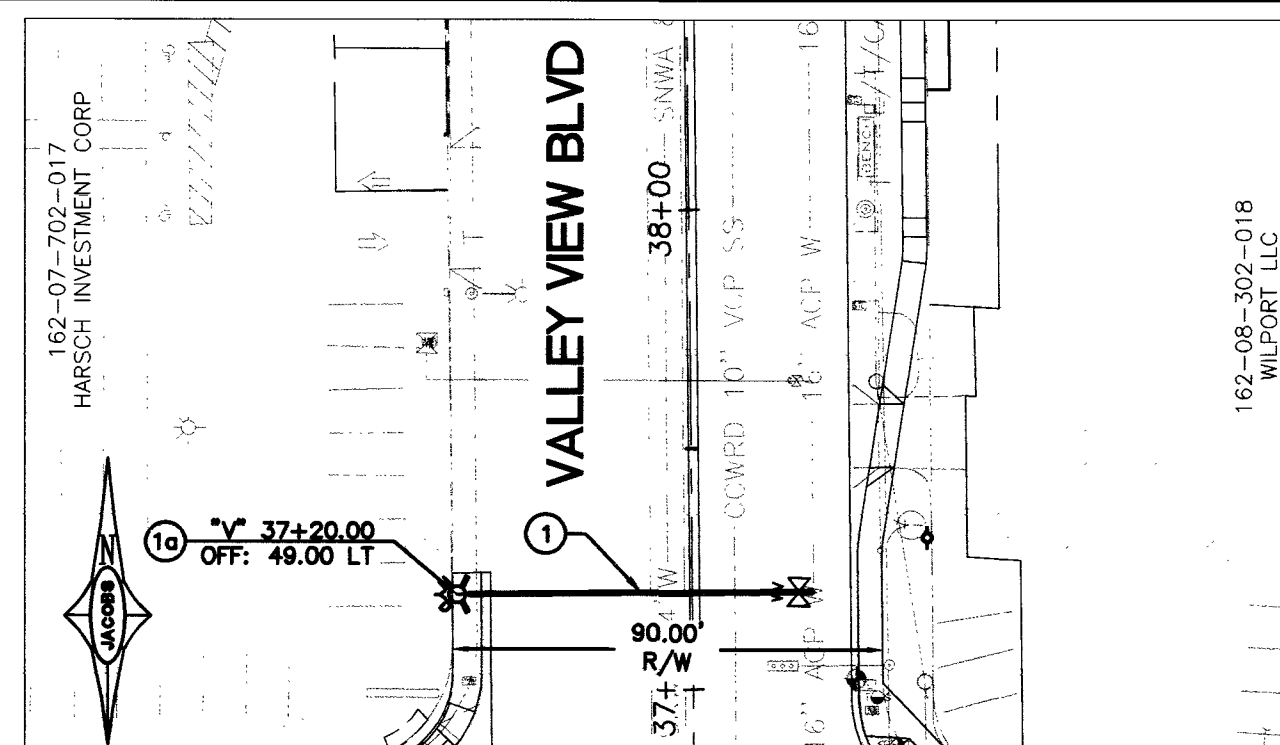
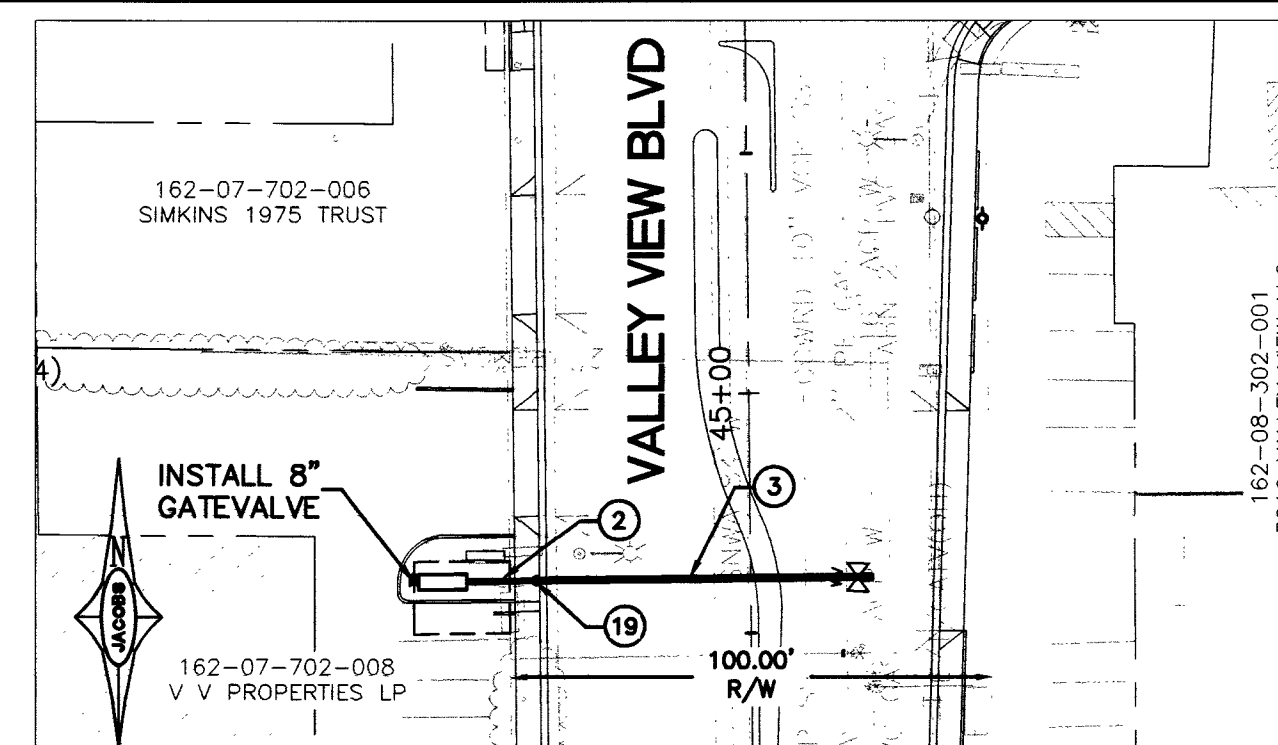


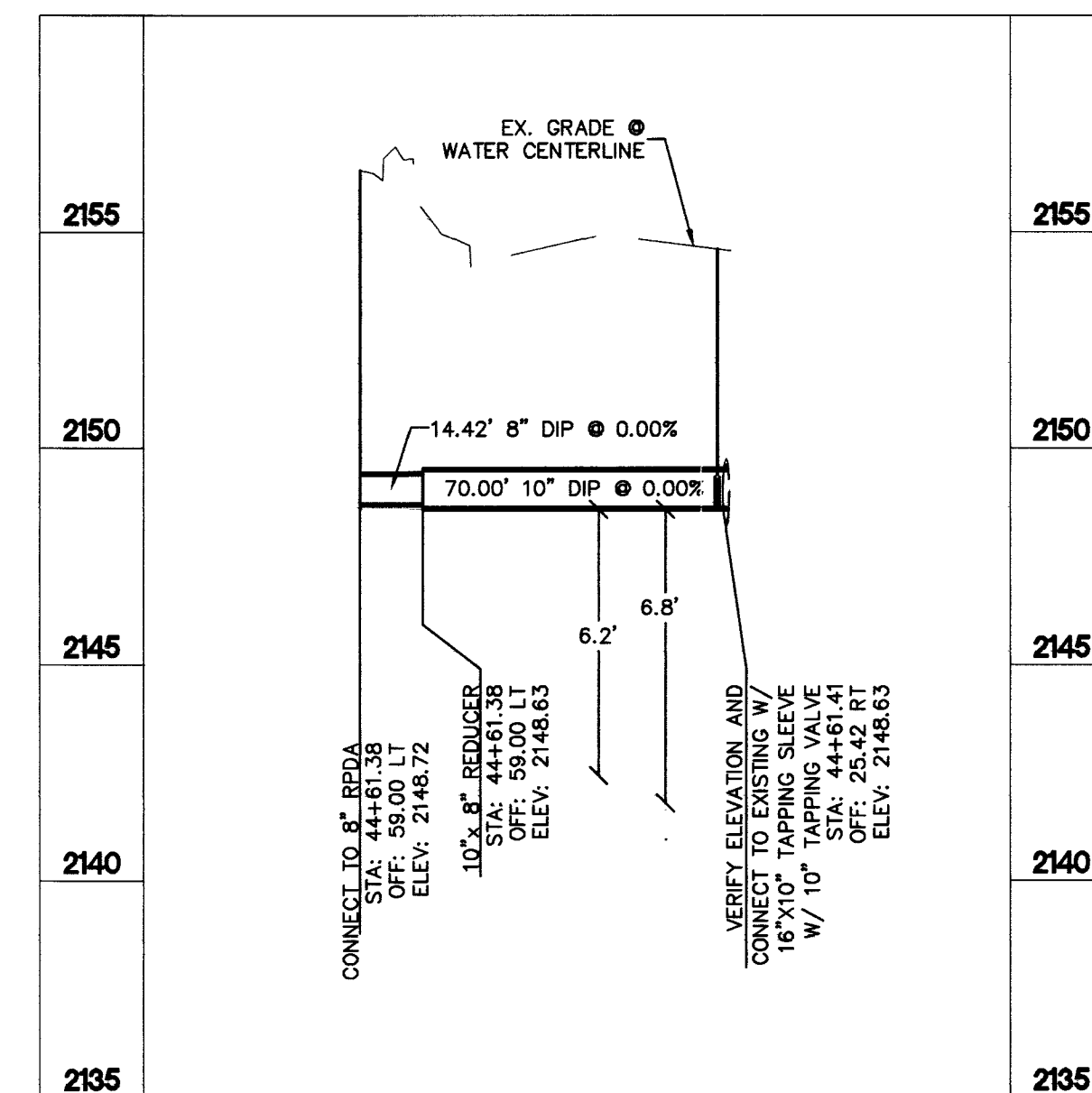
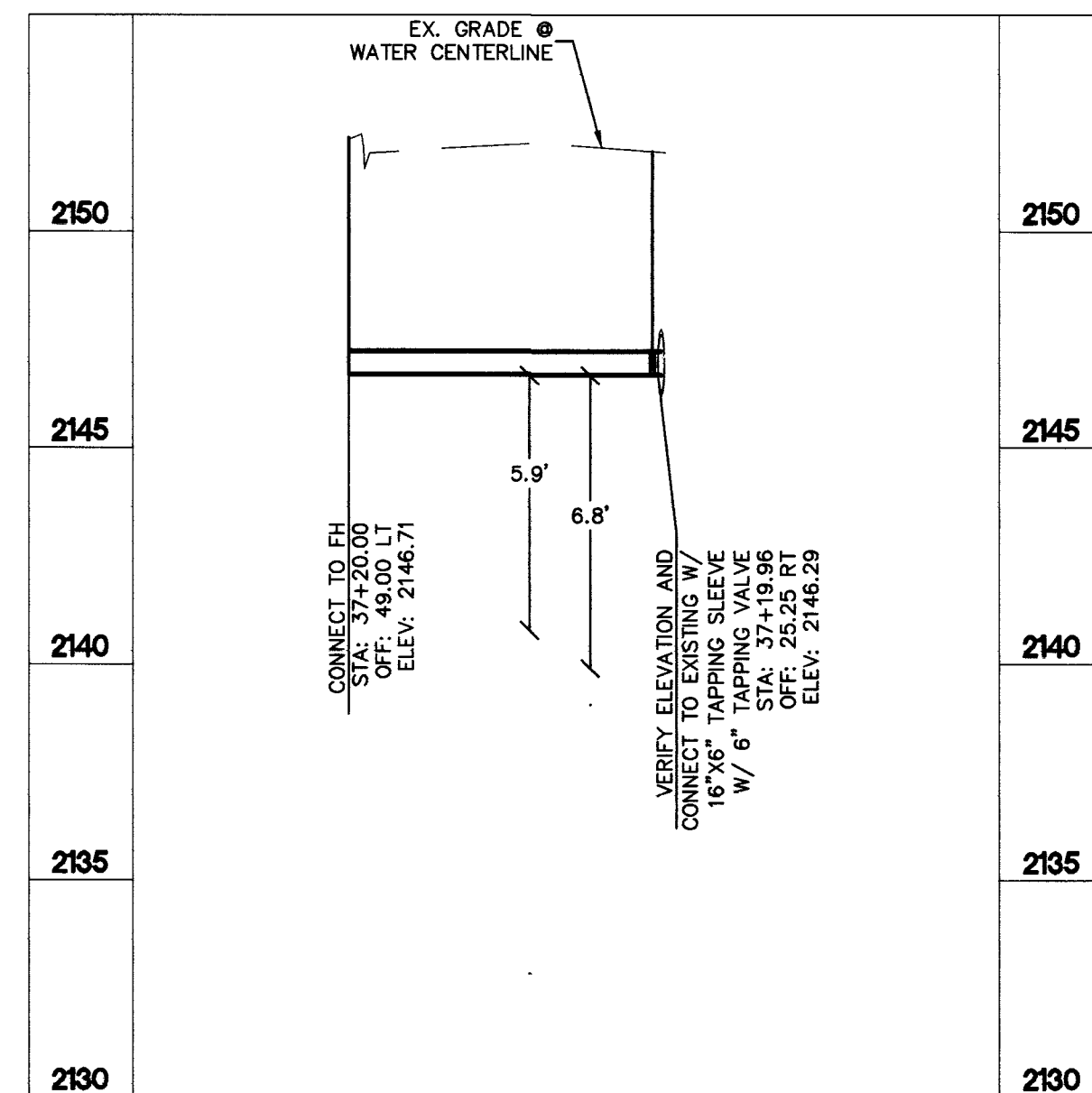
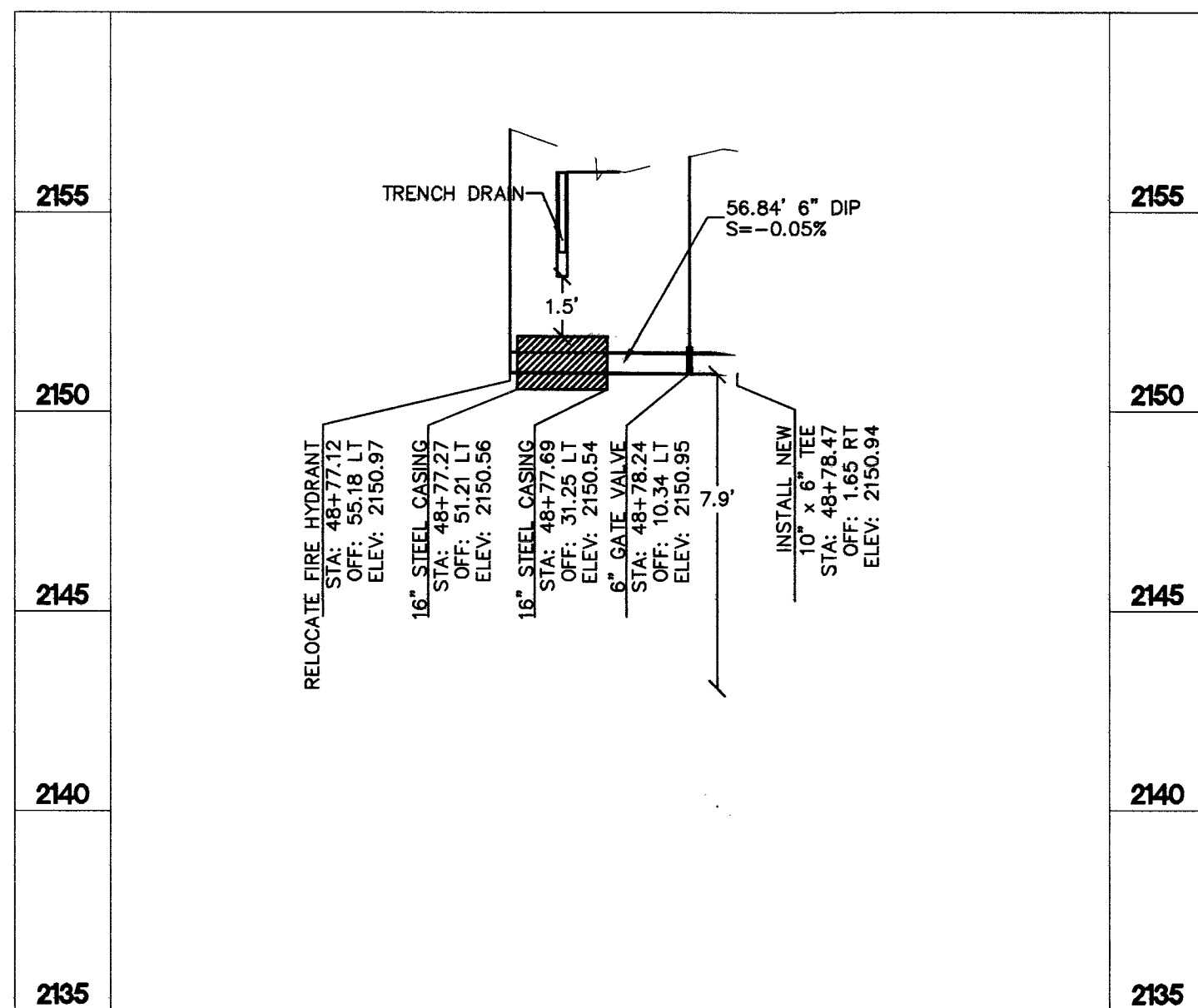
PENNWOOD AVE
"V" STA 48+77.59



3099 S. VALLEY VIEW
"V" STA 37+20.00



3021 S. VALLEY VIEW
"V" STA 44+61.00



- CONSTRUCTION NOTES**
- INSTALL 6" DUCTILE IRON PIPE PER UDACS STD. PLATE 17
 - INSTALL 6" AWWA C900 PVC PER UDACS STD. PLATE 17
 - INSTALL 8" DUCTILE IRON PIPE PER UDACS STD. PLATE 17
 - INSTALL 10" DUCTILE IRON PIPE PER UDACS STD. PLATE 17
 - INSTALL 8" 45° BEND PER UDACS STD. PLATES 21 AND 23 (NO DIRECT PAYMENT)
 - INSTALL 10" 45° BEND PER UDACS STD. PLATES 21 AND 23 (NO DIRECT PAYMENT)
 - INSTALL 8" GATE VALVE PER UDACS STD. PLATES 30 AND 39 (NO DIRECT PAYMENT)
 - INSTALL 10" GATE VALVE (PER UDACS STD. PLATES 30 AND 39 NO DIRECT PAYMENT)
 - INSTALL 6" GATE VALVE PER UDACS STD. PLATES 30 AND 39 (NO DIRECT PAYMENT)
 - INSTALL 10" 22.5° BEND (NO DIRECT PAYMENT) PER UDACS STD. PLATE 31
 - INSTALL 10" X 8" TEE PER UDACS STD. PLATE 31
 - RELOCATE EX. FIRE HYDRANT PER UDACS STD. PLATE 40
 - INSTALL FIRE HYDRANT PER UDACS STD. PLATE 40
 - REMOVE EX 6" DIP AND FITTINGS (NO DIRECT PAYMENT)
 - REMOVE 8" ACP AND FITTINGS (NO DIRECT PAYMENT)
 - REMOVE 10" ACP AND FITTINGS (NO DIRECT PAYMENT)
 - INSTALL 16" STEEL CASING PER UDACS STD. PLATE 23
 - INSTALL 18" STEEL CASING PER UDACS STD. PLATE 23
 - INSTALL 20" STEEL CASING PER UDACS STD. PLATE 23
 - REINSTATE OR RELOCATE WATER SERVICE LATERAL PER SHEET UT-05 AND UT-06, AND DETAIL "G" ON UT-13
 - INSTALL 10" x 8" REDUCER PER UDACS STD. PLATE 30

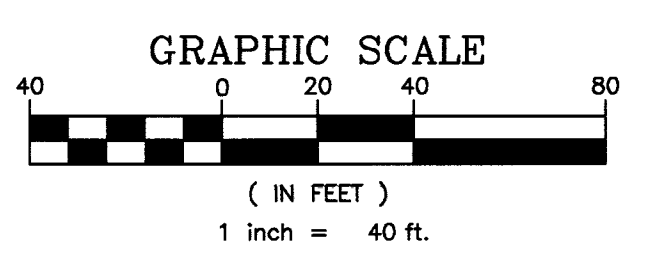
APPROVED FOR CONSTRUCTION
1/19/12

[Signature] 01/19/12
LVWD ENGINEERING SERVICES MANAGER DATE
PROJECT NO. 116494

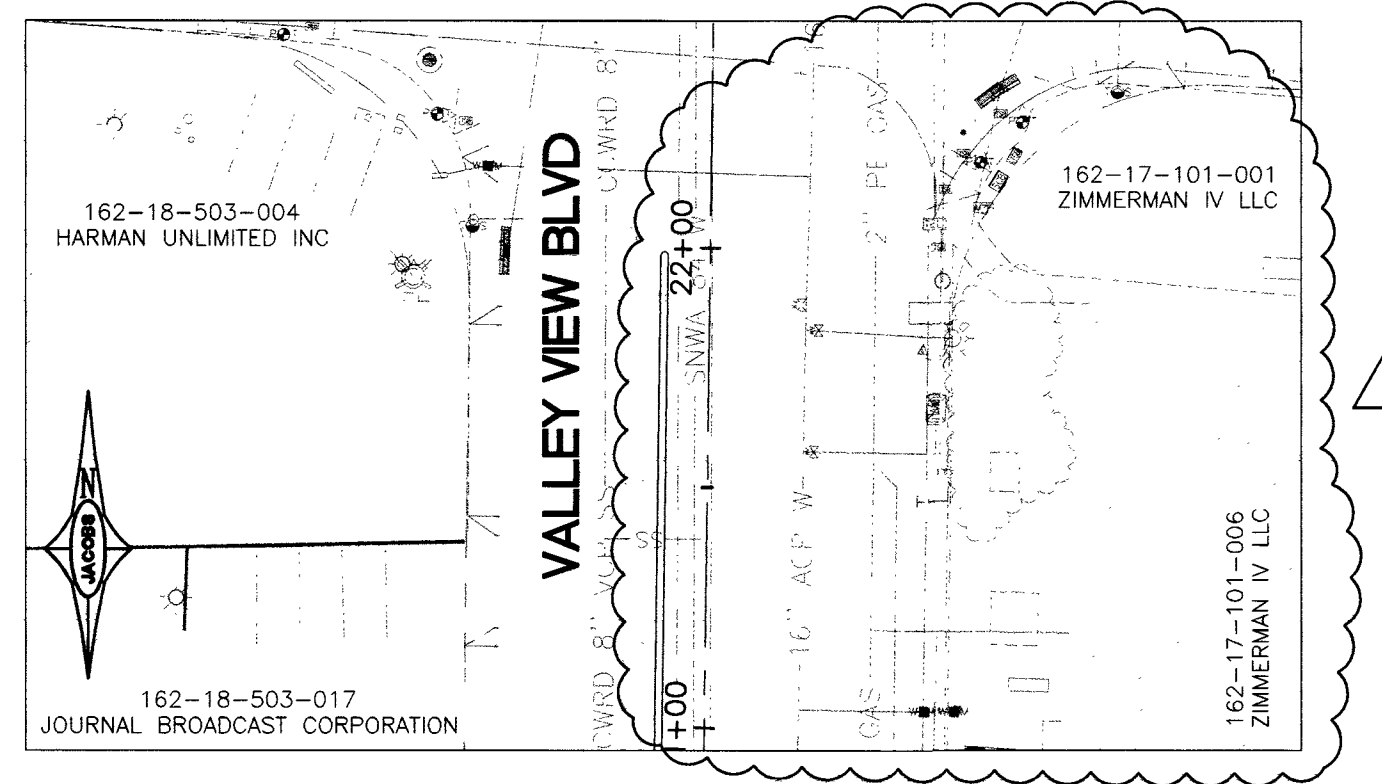
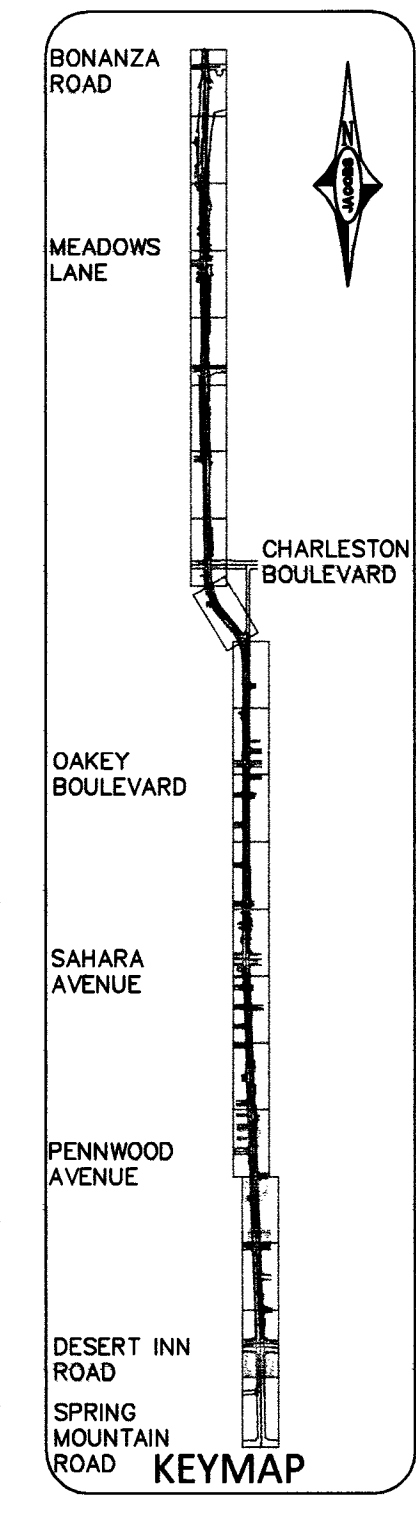
APPROVED FOR CONSTRUCTION
1/18/20

[Signature] 1/18/20
SOUTHERN NEVADA WATER AUTHORITY DATE

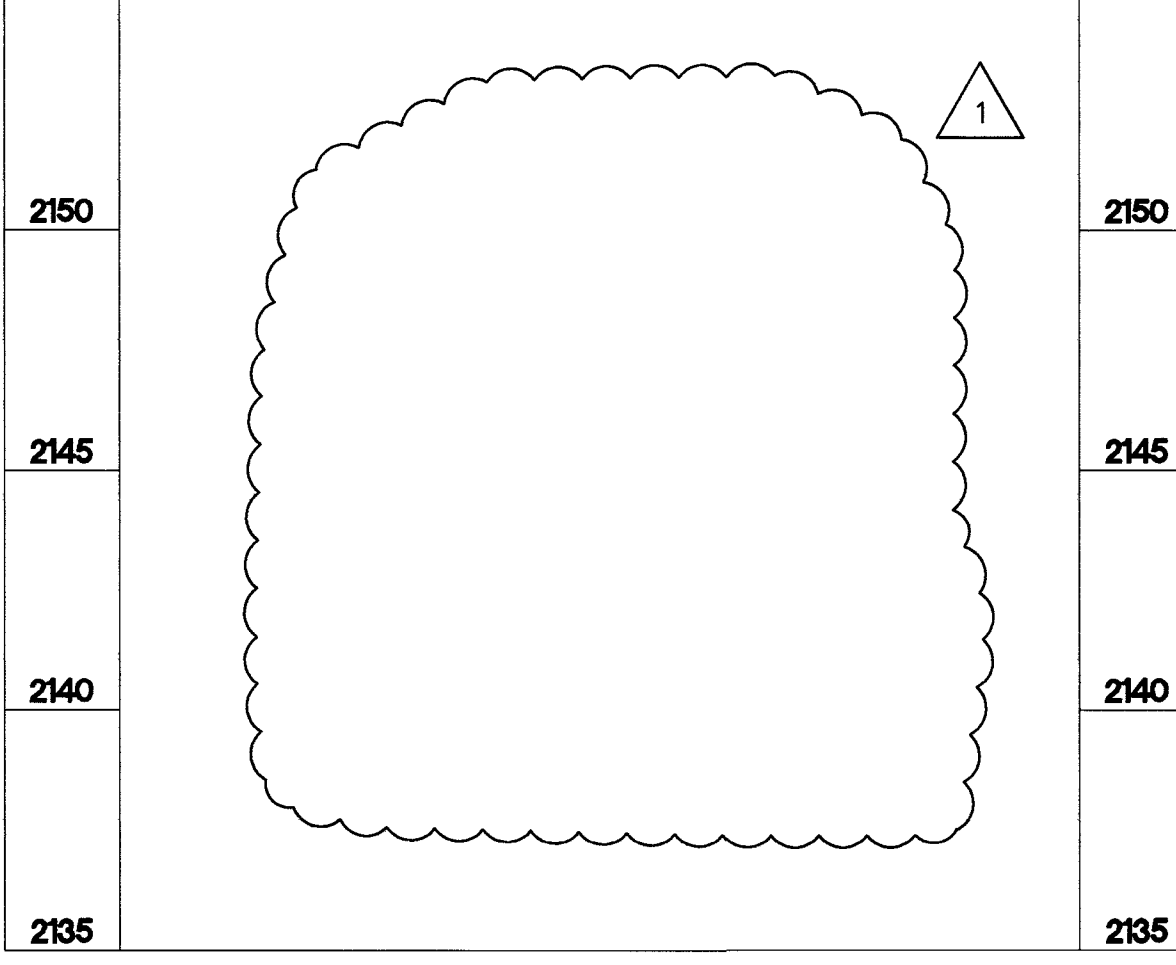
SNWA APPROVAL IS VALID FOR ONE (1) YEAR FROM THE SIGNATURE DATE. IF CONSTRUCTION WITHIN THE EASEMENT OR RESTRICTED PIPE SAFETY ZONE IS NOT COMPLETE, PLANS MUST BE RESUBMITTED TO SNWA FOR APPROVAL.



PROFILE SCALE
HORIZONTAL: 1"=40'
VERTICAL: 1"=4'



3301 S. VALLEY VIEW
"V" STA 21+71.00



NOTE:
UTILITY LOCATIONS AND ELEVATIONS SHOWN ARE BASED UPON BEST AVAILABLE INFORMATION. CONTRACTOR TO VERIFY HORIZONTAL AND VERTICAL LOCATIONS AND NOTIFY ENGINEER OF ANY DISCREPANCIES.

SNWA CAUTION:

- SNWA TEST LEADS ARE SHALLOW
- SNWA FIBER OPTIC CONDUIT RUNS ALONG THE WEST SIDE OF THE SNWA PIPELINE—ALONG VALLEY VIEW BLVD AND ALONG THE NORTH SIDE OF THE SNWA PIPELINE ALONG OAKLEY BLVD

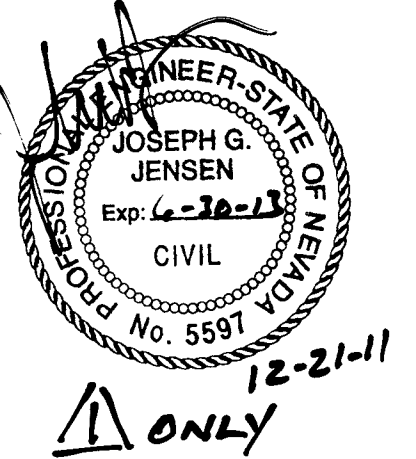
SNWA NOTE:

- IF EXPOSED, CONTRACTOR TO PAY FOR AND REPLACE SNWA CATHODIC PROTECTION TEST STATION GROUND MATS, MAGNESIUM RIBBONS, OR ZINC RIBBONS WITH NEW GROUND MATS, MAGNESIUM RIBBONS, OR ZINC RIBBONS.
- RELOCATION OF EXISTING SNWA TEST STATIONS MUST BE DONE IN ACCORDANCE WITH SNWA STANDARD PLATES FOR CATHODIC PROTECTION.

SNWA CONSTRUCTION NOTE

CONTRACTOR SHALL FIELD LOCATE AND PROTECT ALL SNWA/SNWS APPURTENANCES INCLUDING, BUT NOT LIMITED TO AV/AR, ACCESS MANWAYS AND CATHODIC PROTECTION SYSTEMS. ALL ABOVE GROUND STRUCTURES AND AT GRADE STRUCTURES MUST BE ADJUSTED TO NEW GRADE AT CONTRACTOR'S EXPENSE. CATHODIC PROTECTION TEST STATIONS, RECTIFIERS, AND AV/AR'S MUST BE RELOCATED TO THE SIDEWALK PER SNWA STANDARDS AND AT THE CONTRACTOR'S EXPENSE. CONTRACTOR TO NOTIFY SOUTHERN NEVADA WATER AUTHORITY DEVELOPMENT PLAN REVIEW AT 702-862-3444 AT LEAST 48 HOURS PRIOR TO CONSTRUCTION ACTIVITY.

RELOCATION OF FIRE HYDRANTS:
THE CONTRACTOR SHALL REMOVE BOTH THE UPPER AND LOWER BARRELS OF THE EXISTING FIRE HYDRANT(S) WHERE SHOWN, EXTEND THE EXISTING LATERAL AS REQUIRED, AND INSTALL NEW HYDRANT(S) IN THE NEW LOCATION(S) INDICATED. INSTALLATION SHALL BE IN ACCORDANCE WITH UDACS PLATES 40 AND 41. THE EXISTING FIRE HYDRANT SHALL BE DELIVERED TO THE AGENCY.



- NOTES:**
- CUTTING, REMOVAL, AND DISPOSAL OF ACP PIPE MUST BE IN ACCORDANCE WITH ALL LOCAL, STATE, AND FEDERAL REGULATIONS. APPROXIMATELY 630 LF OF ACP PIPE WILL BE REMOVED WITH THIS PROJECT.
 - ALL EXISTING ASBESTOS CEMENT (ACP) WATERLINES CROSSING A TRENCH EXCAVATION GREATER THAN SIX (6) FEET WIDE SHALL BE REPLACED WITH PVC, UNLESS OTHERWISE STATED.
 - THE DISTRICT CANNOT GUARANTEE A WATERTIGHT SHUTDOWN WHERE CONNECTIONS OR REPAIRS TO EXISTING FACILITIES ARE REQUIRED. THE CONTRACTOR SHALL ENSURE ALL LABOR AND EQUIPMENT IS AVAILABLE TO REMOVE FUGITIVE WATER THAT MAY IMPEDE CONSTRUCTION AT ALL TIMES. COORDINATION WITH INSPECTION DIVISION MUST TAKE PLACE PRIOR TO ANY TRIAL SHUTDOWN. CONTRACTOR TO INSTALL TEMPORARY SERVICE TO ENSURE PROPER SHUTDOWN IN THE EVENT NO OTHER APPURTENANCES ARE AVAILABLE.
 - FOR TRENCHES FOUR (4) FEET WIDE AND GREATER:
CONTRACTOR MUST SUBMIT SHOP DRAWINGS TO LVWD ENGINEERING SERVICES BEFORE CONSTRUCTION TO SHOW HOW WATERLINES SPANNING A TRENCH WILL SUPPORTED DURING EXCAVATION AND BACKFILL
SUPPORTED PIPE MAY BE EXPOSED FOR NO LONGER THAN 90 DAYS MAXIMUM, IF THE PIPE WILL BE EXPOSED FOR MORE THAN 90 DAYS, PIPE MUST BE RELOCATED PER APPROVED PLANS.
IF THE PIPE MATERIAL IS ACP, REPLACE FROM COUPLING TO COUPLING WITH PVC, UNLESS OTHERWISE STATED.
 - ANY INTERRUPTION OF SERVICE MUST BE PERFORMED IN ACCORDANCE WITH UDACS SECTION 3.14.01, AND APPROVED BY THE LVWD INSPECTION DIVISION PRIOR TO SHUTDOWN. PROPER WRITTEN NOTIFICATION MUST BE GIVEN TO ALL AFFECTED CUSTOMERS.
 - ALL SEWER/STORM DRAINS CROSSING WATERLINES MUST CONFORM TO SECTION 2.22 OF THE UNIFORM DESIGN AND CONSTRUCTION STANDARDS FOR PORTABLE WATER SYSTEM (UDACS) FOR WATER AND STORM MAIN CROSSINGS AND CLEARANCES.
 - INSTALL WATERLINE IN STEEL CASING WHEN SHOWN PER UDACS PLATE NO.'S 21 AND 23. FROM THE UPPER BENDS THROUGHOUT THE LOWERED SECTION OF PIPE, DUCTILE IRON PIPE WITH RESTRAINED JOINTS IS REQUIRED. IN ADDITION, THRUST BLOCKS ARE TO BE INSTALLED AT THE UPPER BENDS.
 - ANNULAR SPACE BETWEEN PIPE AND CASING SHALL BE FILLED WITH CLASS 1 CLSM. SEE UDACS PLATE 17 FOR BEDDING AND BACKFILL REQUIREMENTS.
 - FOR RELOCATIONS, REMOVE ALL WATERLINE PIPING BETWEEN POINTS OF CONNECTION OF THE RELOCATED SECTION.

FAST
Call before you Dig
Under Ground.
1-702-432-5300

CALL BEFORE YOU DIG
YOU DO OVERHEAD

1-702-227-2929
Call before you Dig
1-800-227-2600

REVISIONS

NO.	DATE	SHEET	DESCRIPTION	APP'D
1	1/30/11	REL TURN LANE PER CIV ROW		

DEPARTMENT OF PUBLIC WORKS
CAPITAL PROJECT MANAGEMENT

CITY ENGINEER: DAVID BOWERS, PE, PTOE
PROGRAM MANAGER: JEREMY LEAVITT, PE

DESIGNED BY: N. WORKER
DRAWN BY: J. SIMIANO
CHECKED BY: D. TULLOCH

DATE: 08/12/2011

VALLEY VIEW BOULEVARD
DESERT INN RD TO BONANZA RD
WATER RELOCATIONS

TITLE: SHEET:

UT-19
119 of 236
DRAWING NO. 107-V5627