

**SNWA NOTES**

ALL REPAIRS, REPLACEMENTS, RELOCATIONS AND/OR EXTENSIONS MUST BE DESIGNED AND MONITORED BY A NACE INTERNATIONAL-CERTIFIED CATHODIC PROTECTION SPECIALIST. ALL TESTING AND WORK IS TO BE DONE BY A NACE LEVEL II CATHODIC PROTECTION TECHNICIAN AND APPROVED BY THE SNWA CATHODIC PROTECTION TECHNICIAN PRIOR TO ACCEPTING THE INSTALLATION. ALL MATERIAL FOR THE INSTALLATION IS TO BE PROVIDED BY THE CONTRACTOR. CONTRACTOR SHALL SUBMIT ALL CERTIFICATIONS AND MATERIALS TO BE USED ON THE PROJECT FOR REVIEW AND ACCEPTANCE BY SNWA PRIOR TO STARTING ANY WORK.

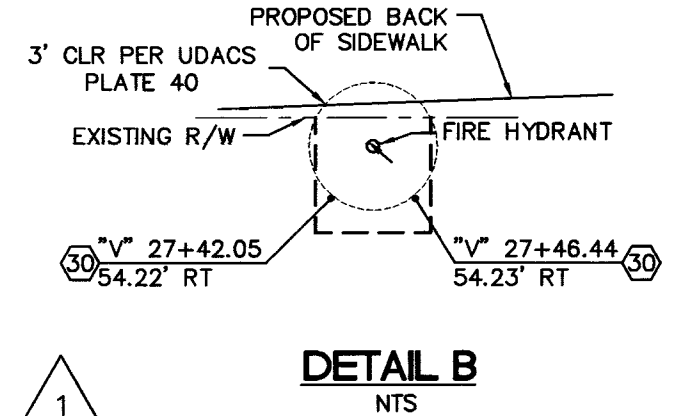
SNWA FIBER OPTIC CONDUIT RUNS ALONG THE WEST SIDE OF THE SNWA PIPELINE.  
CAUTION: SNWA TEST LEADS ARE SHALLOW.

RELOCATION OF EXISTING SNWA TEST STATIONS MUST BE DONE IN ACCORDANCE WITH SNWA STANDARD PLATES FOR CATHODIC PROTECTION.

IF EXPOSED, CONTRACTOR TO PAY FOR AND REPLACE SNWA CATHODIC PROTECTION TEST STATION GROUND MATS, MAGNESIUM RIBBONS, OR ZINC RIBBONS WITH NEW GROUND MATS, MAGNESIUM RIBBONS, OR ZINC RIBBONS.

CONTRACTOR SHALL FIELD LOCATE AND PROTECT ALL SNWA/SNWS APPURTENANCES INCLUDING, BUT NOT LIMITED TO AV/AR, ACCESS MANWAYS AND CATHODIC PROTECTION SYSTEMS. ALL ABOVE GROUND STRUCTURES AND AT GRADE STRUCTURES MUST BE ADJUSTED TO NEW GRADE AT CONTRACTOR'S EXPENSE. CATHODIC PROTECTION TEST STATIONS, RECTIFIERS, AND AV/AR'S MUST BE RELOCATED TO THE SIDEWALK PER SNWA STANDARDS AND AT THE CONTRACTOR'S EXPENSE. CONTRACTOR TO NOTIFY SNWA DEVELOPMENT PLAN REVIEW AT (702) 862-3444 AT LEAST 48 HOURS PRIOR TO CONSTRUCTION ACTIVITY.

**LWWD NOTES**  
REDUCED PRESSURE DETECTOR ASSEMBLY (RPDA)  
(1) 8" THE REDUCED PRESSURE DETECTOR ASSEMBLIES SHALL BE INSTALLED IN ACCORDANCE WITH THE UDACS PLATE NO. 56. ANY BLOCK WALL OR OTHER FENCE MATERIAL SHALL BE DESIGNED AND CONSTRUCTED AROUND THE OUTSIDE OF THE EASEMENT AS TO ALLOW THE DISTRICT DIRECT ACCESS FROM THE ADJACENT RIGHT-OF-WAY. EASEMENTS SHALL BE CLEARLY MARKED OR STAKED PRIOR TO THE START OF CONSTRUCTION.



**APPROVED FOR CONSTRUCTION**  
ZENIS V. ROOKHUYZEN  
Exp: 12/31/13  
CIVIL  
No. 21809  
REVISION 2 ONLY

**APPROVED FOR CONSTRUCTION**  
CITY OF LAS VEGAS FIRE DEPARTMENT  
DATE: 11/14/13

**APPROVED FOR CONSTRUCTION**  
SOUTHERN NEVADA WATER AUTHORITY  
DATE: 12/31/12  
SNWA APPROVAL IS VALID FOR ONE (1) YEAR FROM THE SIGNATURE DATE. IF CONSTRUCTION WITHIN THE EASEMENT OR RESTRICTED PIPE SAFETY ZONE IS NOT COMPLETE, PLANS MUST BE RESUBMITTED TO SNWA FOR APPROVAL.

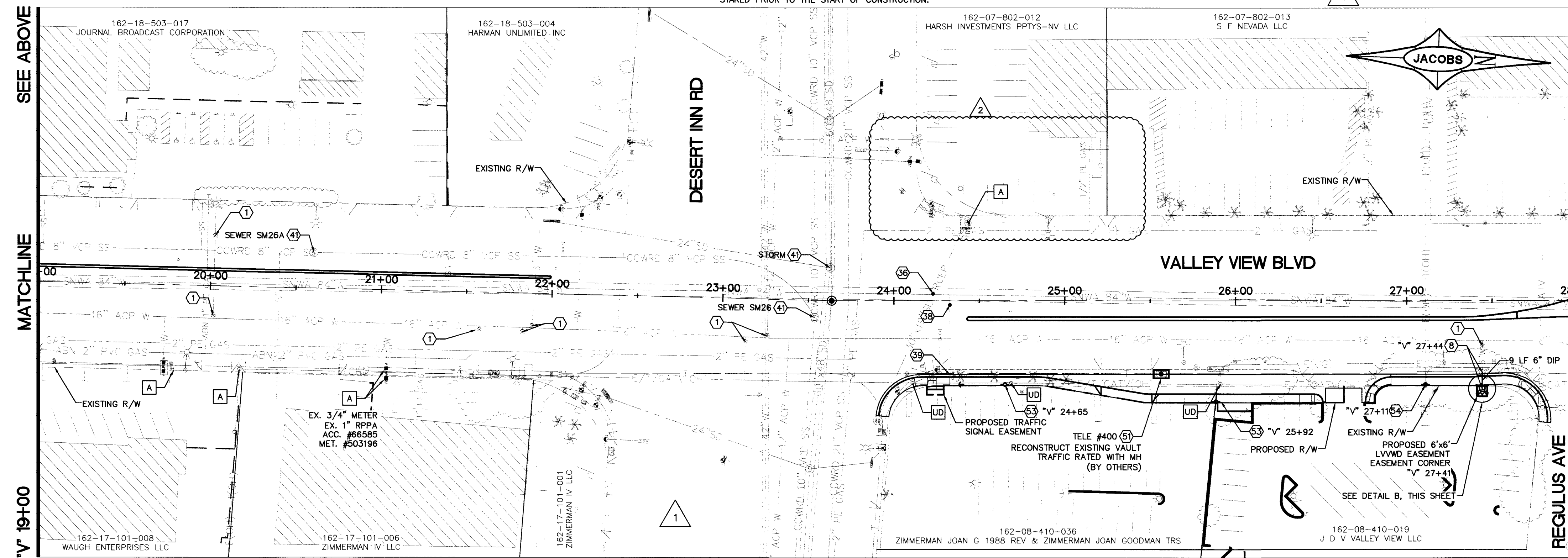
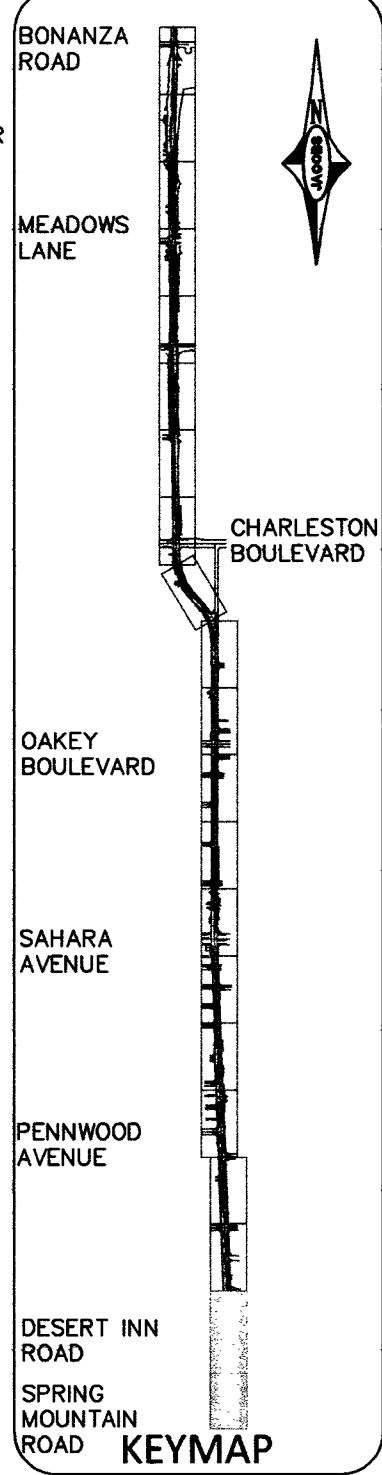
**APPROVED FOR CONSTRUCTION**  
1ST APPROVAL 11/02/11  
LWWD ENGINEERING SERVICES MANAGER  
PROJECT NO. 116494

- NOTE:**
- SEE IR-SHEETS FOR PUBLIC MEDIAN IRRIGATION
  - SEE SS-SHEETS FOR PROPOSED SANITARY SEWER
  - SEE SD-SHEETS FOR STORM DRAIN
  - SEE TS-SHEETS FOR TRAFFIC SIGNALS
  - SEE L-SHEETS FOR LIGHTING & ITS
  - ON-SITE WATER RESTORATION WILL BE THE RESPONSIBILITY OF THE CONTRACTOR
  - ALL SEWER ON PLANS ARE CLV JURISDICTION UNLESS OTHERWISE NOTED.
  - SEE LS-SHEETS FOR BOULDER PLACEMENT

**FAST**  
Call before you dig!  
Underground.  
1-702-432-5300

**CALL BEFORE YOU DO OVERHEAD**  
1-702-227-2929

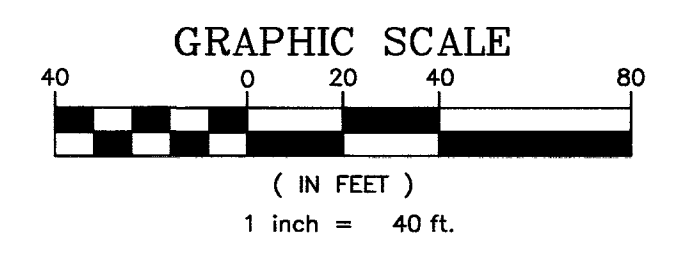
Call before you Dig!  
Avoid cutting underground utility lines. It's easy.  
Call **811**  
1-800-227-2600



SEE ABOVE  
MATCHLINE  
SEE SHEET UT-02  
MATCHLINE

- REMOVAL NOTES**
- A PROTECT IN PLACE
  - UB ABANDON LWWD SERVICE LATERAL. SEE ABANDONMENT NOTE 2 ON SHEET G-05.
  - LD REMOVE JOINT USE UTILITY POLE AND GUY (IF EXISTING) (BY OTHERS)
  - UC ABANDON VAULT PER DETAIL E ON UT-14 (NO DIRECT PAYMENT)

- UTILITY NOTES**
- 1 VERTICALLY ADJUST LWWD VALVE BOX TO FINISHED GRADE PER UDACS PLATE NO. 39. VALVE SHALL BE ACCESSIBLE AT ALL TIMES
  - 2 RELOCATE LWWD METER PER UDACS PLATE 4
  - 3 RELOCATE LWWD RPPA PER UDACS PLATE 8
  - 4 RELOCATE FIRE HYDRANT PER UDACS PLATE 40 (CONDITION C OR G)
  - 11 REPLACE LWWD 6" DC WITH 8" RPDA PER UDACS PLATE 56
  - 16 INSTALL 1" SERVICE SADDLE, 1" CORP. STOP, AND 1" TYPE K COPPER SERVICE LATERAL PER UDACS PLATE 4
  - 27 INSTALL 1.5" M.J. TAPPING SLEEVE OR APPROVED EQUAL WITH 8" TAPPING VALVE PER UDACS PLATE 34
  - 30 INSTALL BOLLARDS PER UDACS PLATE 75, PLACEMENT AS SHOWN ON PLANS
  - 35 VERTICALLY ADJUST SNWA MONUMENT TO FINISHED GRADE
  - 36 VERTICALLY ADJUST SNWA VALVE BOX TO FINISHED GRADE
  - 37 VERTICALLY ADJUST SNWA BLOWOFF VALVE TO FINISHED GRADE
  - 38 VERTICALLY ADJUST MANHOLE TO FINISHED GRADE PER APPROPRIATE AGENCY
  - 48 INSTALL 8" GATE VALVE
  - 51 CENTURYLINK/COX TO RELOCATE AND/OR ADJUST FACILITIES TO FINISHED GRADE (CONTRACTOR TO COORDINATE)
  - 52 RELOCATE AND/OR ADJUST FACILITIES TO FINISHED GRADE (BY OTHERS)
  - 53 INSTALL JOINT USE UTILITY POLE (BY OTHERS)
  - 54 REPLACE JOINT USE UTILITY POLE (BY OTHERS)



**REVISIONS**

NO.	DATE	SHEET	DESCRIPTION	APP'D
2	11/14/13	DEL. TURN LANE AND BEANS PER CIVIL		
1	11/20/11	DEL. TURN LANE PER CIVIL		

VALLEY VIEW BLVD - DESERT INN RD TO BONANZA RD

**DEPARTMENT OF PUBLIC WORKS**  
**CAPITAL PROJECT MANAGEMENT**

CITY ENGINEER: DAVID BOWERS, PE, PTOE  
PROGRAM MANAGER: JEREMY LEAVITT, PE

DESIGNED BY: Z. ROOKHUYZEN  
DRAWN BY: J. SIMIANO  
CHECKED BY: J. JENSEN  
DATE: 08/12/2011

**VALLEY VIEW BOULEVARD**  
**DESERT INN RD TO BONANZA RD**  
**UTILITY PLAN**  
**"V" 15+58.21 TO "V" 28+00**

TITLE: SHEET:

PROFESSIONAL ENGINEER - STATE OF NEVADA  
JOSEPH G. JENSEN  
Exp: 6/30/13  
CIVIL  
NO. 5597

SHEET: **UT-01**  
**101 of 236**  
DRAWING NO. **107-V5627**