

APPROVED FOR CONSTRUCTION

M. Disbari 8/11/12
SOUTHERN NEVADA WATER AUTHORITY DATE

SNWA APPROVAL IS VALID FOR ONE (1) YEAR FROM THE SIGNATURE DATE. IF CONSTRUCTION WITHIN THE EASEMENT OR RESTRICTED PIPE SAFETY ZONE IS NOT COMPLETE, PLANS MUST BE RESUBMITTED TO SNWA FOR APPROVAL.

SNWA CONSTRUCTION NOTE

CONTRACTOR SHALL FIELD LOCATE AND PROTECT ALL SNWA/SNWS APPURTENANCES INCLUDING, BUT NOT LIMITED TO AV/AR, ACCESS MANWAYS AND CATHODIC PROTECTION SYSTEMS. ALL ABOVE GROUND STRUCTURES AND AT GRADE STRUCTURES MUST BE ADJUSTED TO NEW GRADE AT CONTRACTOR'S EXPENSE. CATHODIC PROTECTION TEST STATIONS, RECTIFIERS, AND AV/AR'S MUST BE RELOCATED TO THE SIDEWALK PER SNWA STANDARDS AND AT THE CONTRACTOR'S EXPENSE. CONTRACTOR TO NOTIFY SOUTHERN NEVADA WATER AUTHORITY DEVELOPMENT PLAN REVIEW AT 702-862-3444 AT LEAST 48 HOURS PRIOR TO CONSTRUCTION ACTIVITY.

SNWA NOTE:

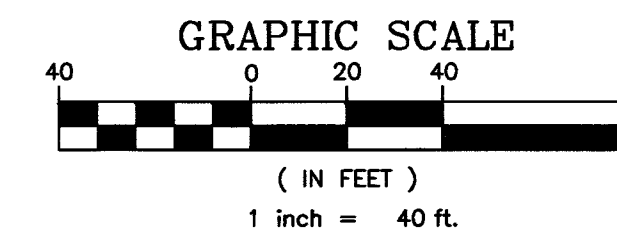
- IF EXPOSED, CONTRACTOR TO PAY FOR AND REPLACE SNWA CATHODIC PROTECTION TEST STATION GROUND MATS, MAGNESIUM RIBBONS, OR ZINC RIBBONS WITH NEW GROUND MATS, MAGNESIUM RIBBONS, OR ZINC RIBBONS.
- RELOCATION OF EXISTING SNWA TEST STATIONS MUST BE DONE IN ACCORDANCE WITH SNWA STANDARD PLATES FOR CATHODIC PROTECTION.

SNWA CAUTION:

- SNWA TEST LEADS ARE SHALLOW
- SNWA FIBER OPTIC CONDUIT RUNS ALONG THE WEST SIDE OF THE SNWA PIPELINE—ALONG VALLEY VIEW BLVD AND ALONG THE NORTH SIDE OF THE SNWA PIPELINE ALONG OAKLEY BLVD

GENERAL NOTES:

- FOR INFORMATION USED ON STRUCTURE DESIGN SEE STORM DRAIN DESIGN MATRIX'S ON SHEET SD-18.
- ALL INLETS TO HAVE CONCRETE STAMP PER USGCC DWG NO. 421.
- PROTECT SNWA FACILITIES IN PLACE. SEE SHEET UT-12 FOR LOCATIONS.
- FOR REINSTATEMENT OF WATER SERVICE LATERALS, SEE UT SHEETS. FOR REINSTATEMENT OF SEWER LATERALS, SEE SS SHEETS.

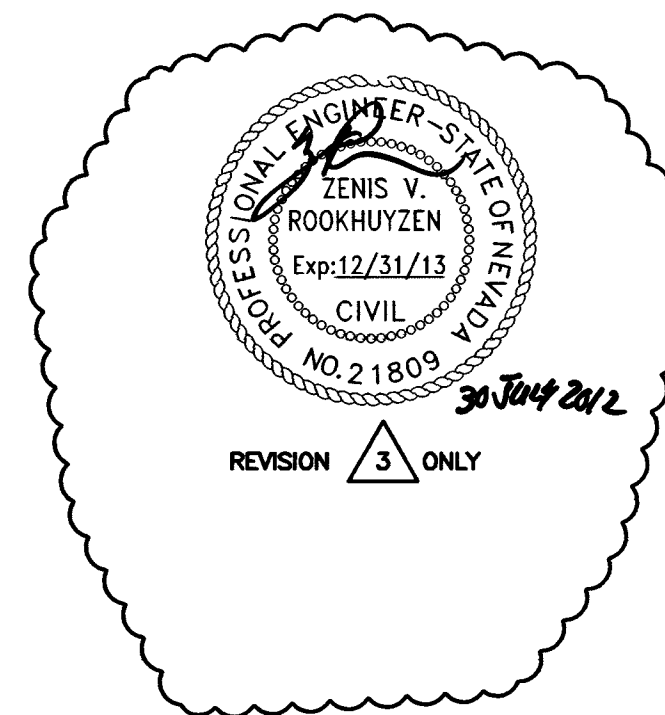


STORM DRAIN NOTES

- CONSTRUCT 18" RCP. SEE TRENCH DETAIL SHEET SD-19.
- CONSTRUCT 24" RCP. SEE TRENCH DETAIL SHEET SD-19.
- CONSTRUCT 30" RCP. SEE TRENCH DETAIL SHEET SD-19.
- CONSTRUCT 12" RCP SEE TRENCH DETAIL SHEET SD-19
- CONSTRUCT 42" RCP. SEE TRENCH DETAIL SHEET SD-19
- CONSTRUCT 30"x19" RCEP. SEE TRENCH DETAIL SHEET SD-19
- CONSTRUCT 7'x5' RCB. SEE TRENCH DETAIL SHEET SD-19
- CONSTRUCT TYPE C-D MODIFIED DROP INLET PER USD. NO. 412A FOR NARROW GRATES PER DETAIL ON SHEET SD-12
- INSTALL "T" STRUCTURE PER PIPE SIZES. PER DETAIL ON SHEET SD-15.
- CONSTRUCT 5'x4' RCB. SEE TRENCH DETAIL SHEET SD-19
- CONSTRUCT 36" x 36" DROP INLET WITH TRENCH DRAIN PER DETAIL ON SHEET SD-13.
- CONSTRUCT TYPE C - D MODIFIED DROP INLET PER USD NO. 412A. PER DETAIL ON SHEET SD-11.
- CONSTRUCT DRAINAGE TRENCH DRAIN WITH H-20 RATED TRAFFIC GRATE. PER DETAIL ON SHEET SD-16.
- CONSTRUCT 24" x 36" DROP INLET PER DETAIL ON SHEET SD-12.
- CONSTRUCT 36" x 36" DROP INLET WITH TRENCH DRAIN PER DETAIL ON SHEET SD-14.
- CONSTRUCT WATER QUALITY PIPE W/ ELASTOMERIC SEALANT.
- PROTECT IN PLACE
- CONSTRUCT ACCESS MANHOLE SEE DETAIL ON SHEET SD-17
- CONSTRUCT TRANSITION STRUCTURE.
- CONSTRUCT 5'x5' RCB SEE TRENCH DETAIL SD-19
- CONSTRUCT NDOT TYPE I & II MODIFIED MANHOLE PER NDOT NO. R-4.3.1 SEE DETAILS ON SHEET SD-15.
- CONSTRUCT 14"x23" RCEP. SEE TRENCH DETAIL SHEET SD-19
- CUT EXISTING STORM DRAIN PIPE—CONNECT TO EXISTING PER DETAIL SHEET SD-18
- REMOVE PIPE, MANHOLE OR INLET.
- CONSTRUCT 24"x38" RCEP. SEE TRENCH DETAIL SHEET SD-19
- PROVIDE RCB END CAP PER BOX SIZE.
- TIE-IN STORM LATERAL PER DETAIL ON SHEET SD-12

APPROVED FOR CONSTRUCTION

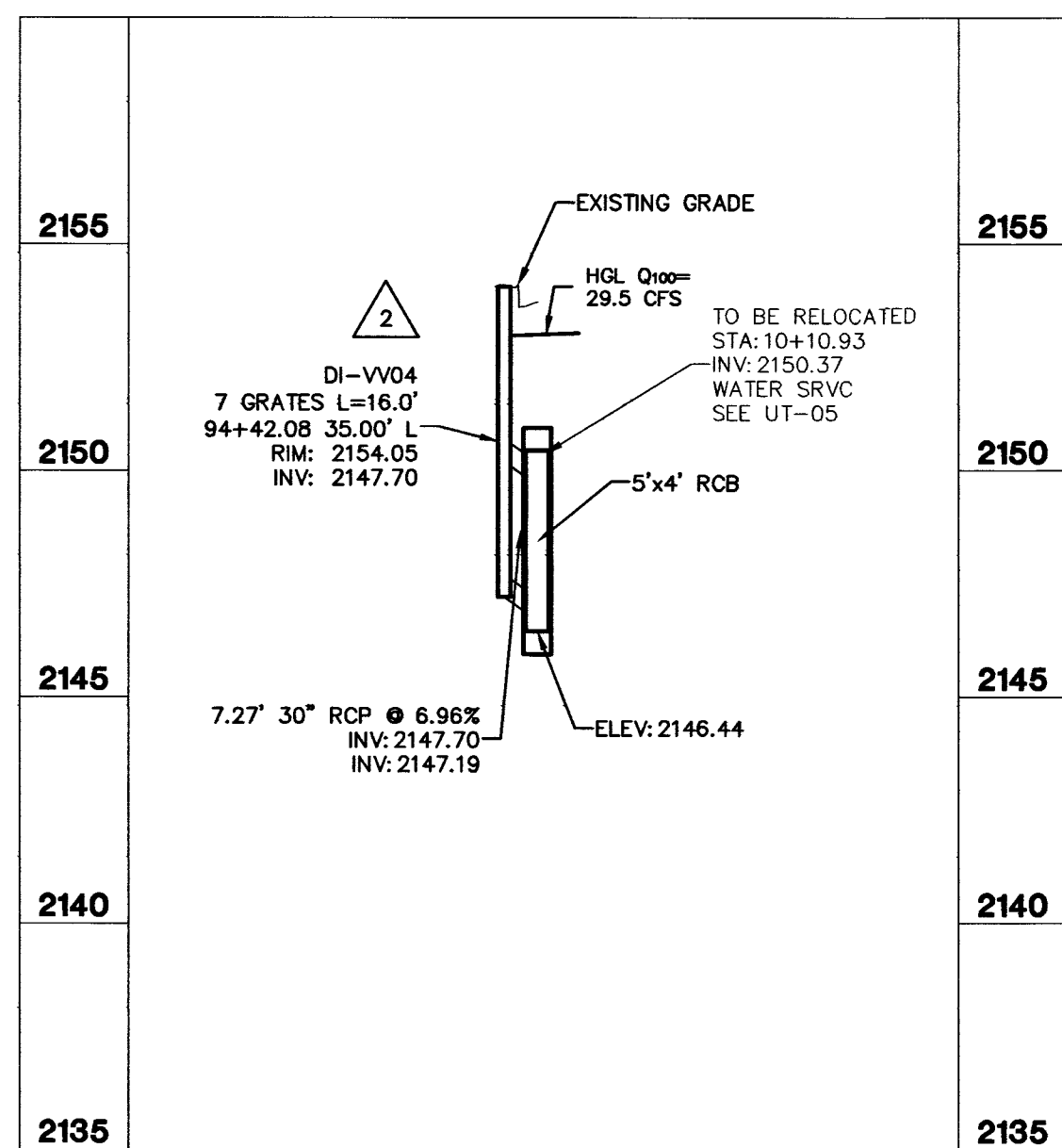
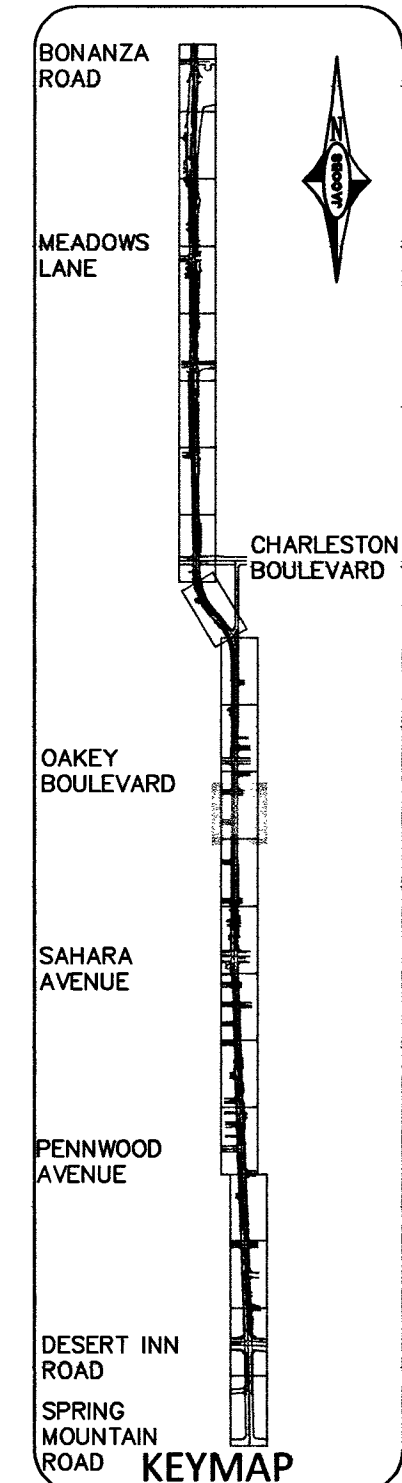
Tara D. Alexander 8-2-12
LWWD ENGINEERING SERVICES MANAGER DATE
PROJECT NO. 116494



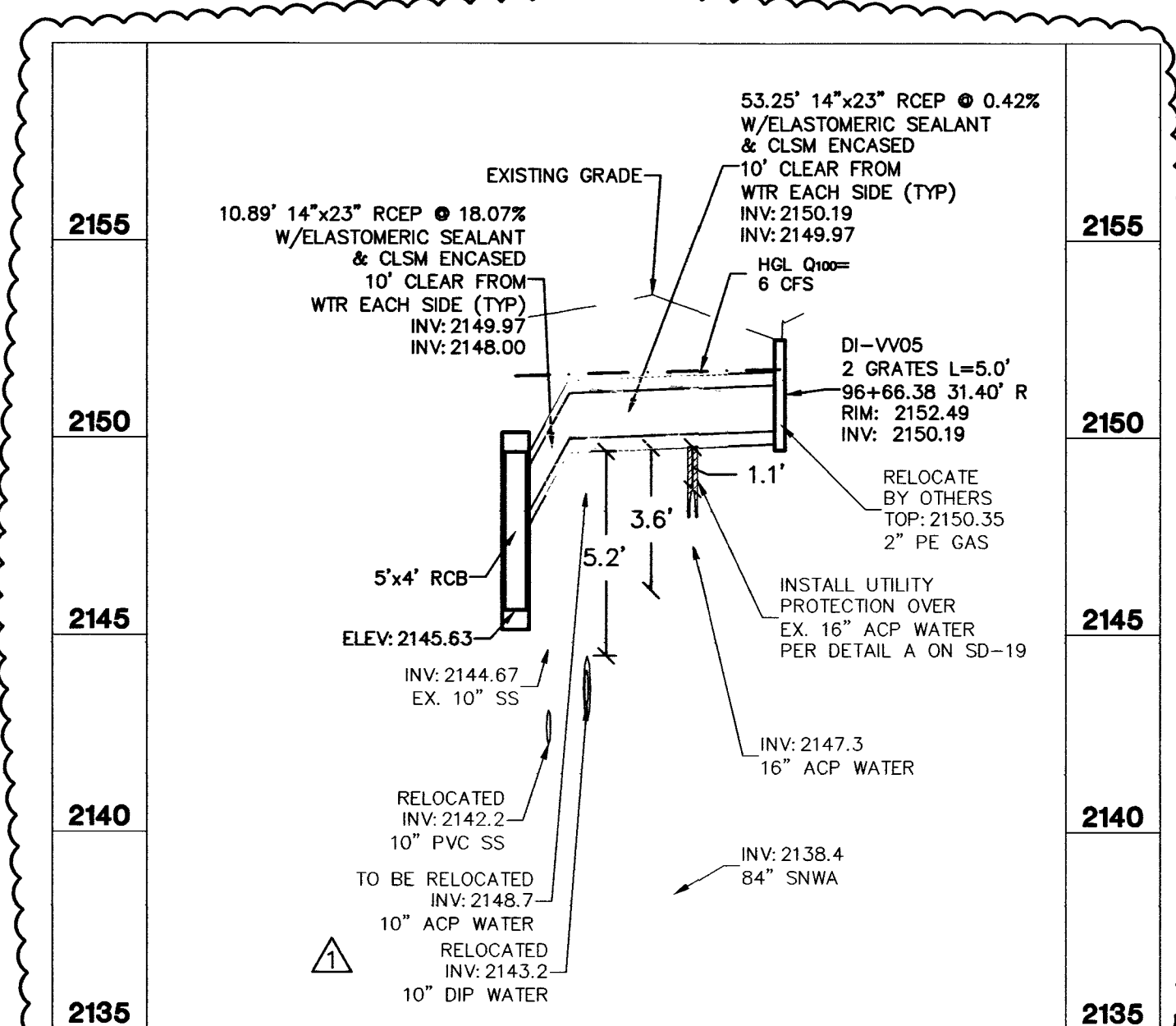
FAST
Call before you UnderGround.
1-702-432-5300

Call before you Dig
1-702-227-2029

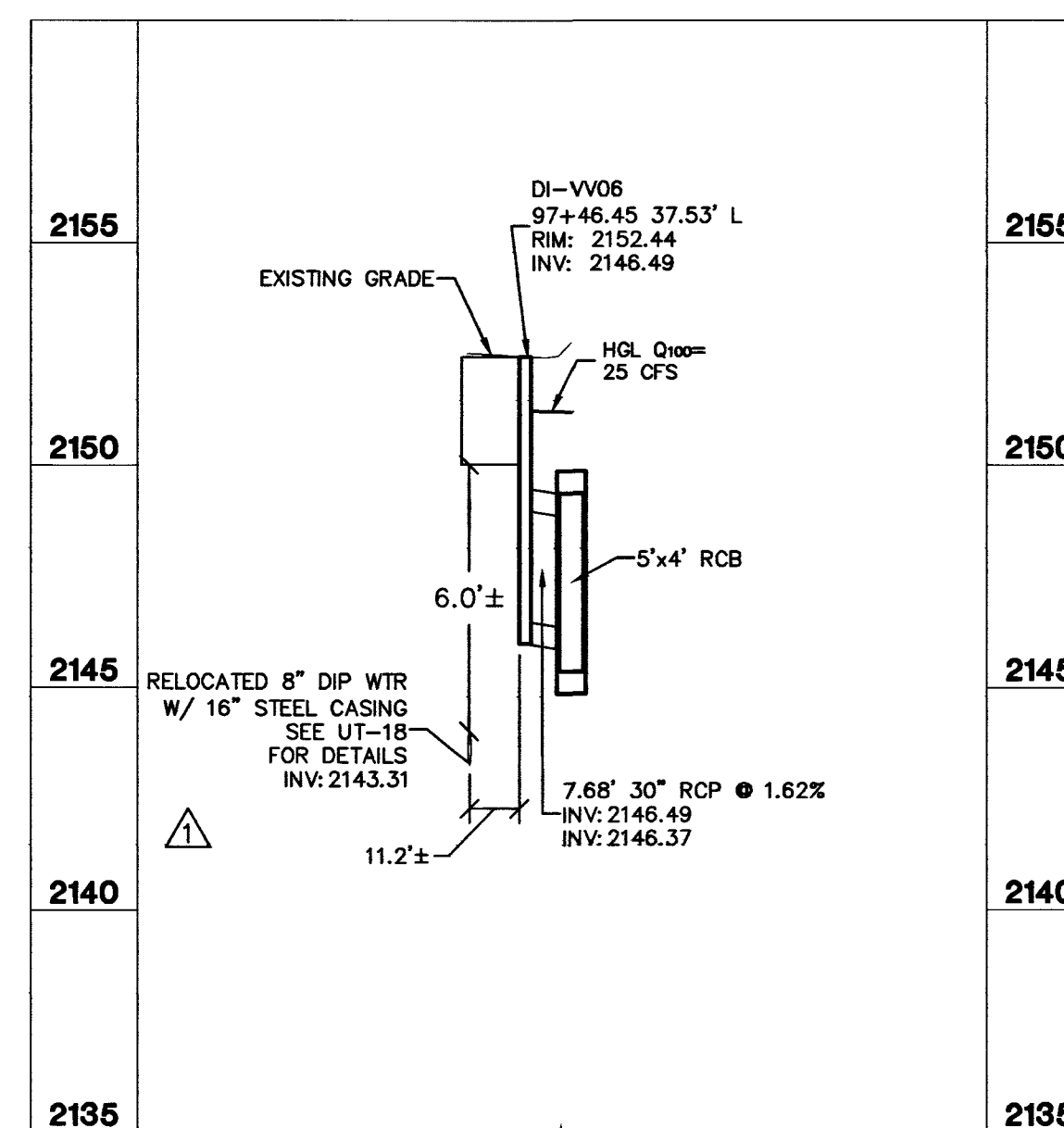
Call before you Dig
1-800-227-2800



LAT-12
***V* STA 94+42.08**
SCALE
HORIZONTAL: 1"=40'
VERTICAL: 1"=4'



LAT-13
***V* STA 96+66.38**
SCALE
HORIZONTAL: 1"=40'
VERTICAL: 1"=4'



LAT-14
***V* STA 97+46.45**
SCALE
HORIZONTAL: 1"=40'
VERTICAL: 1"=4'

DEPARTMENT OF PUBLIC WORKS
CAPITAL PROJECT MANAGEMENT

CITY ENGINEER: DAVID BOWERS, PE, PTOE
PROGRAM MANAGER: JEREMY LEAVITT, PE
DESIGNED BY: T. ALEXANDER
DRAWN BY: M. SACKSHEWSKY
CHECKED BY: D. TULLOCH DATE: 08/12/2011

VALLEY VIEW BOULEVARD
DESERT INN RD TO BONANZA RD
STORM DRAIN PLAN AND PROFILES

TITLE: VALLEY VIEW BOULEVARD
DESERT INN RD TO BONANZA RD
SHEET: SD-07
80 of 236
DRAWING NO. 107-V5627