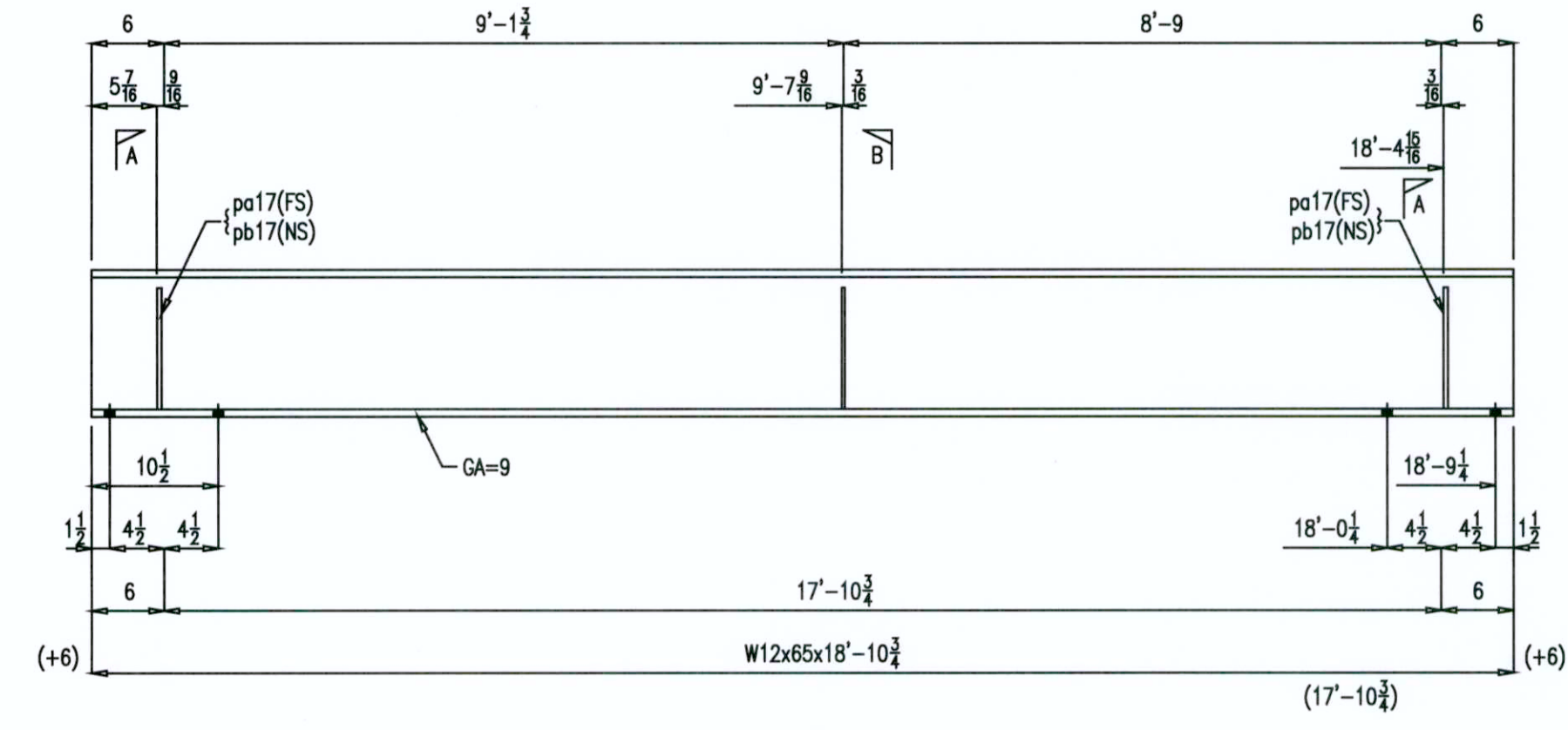


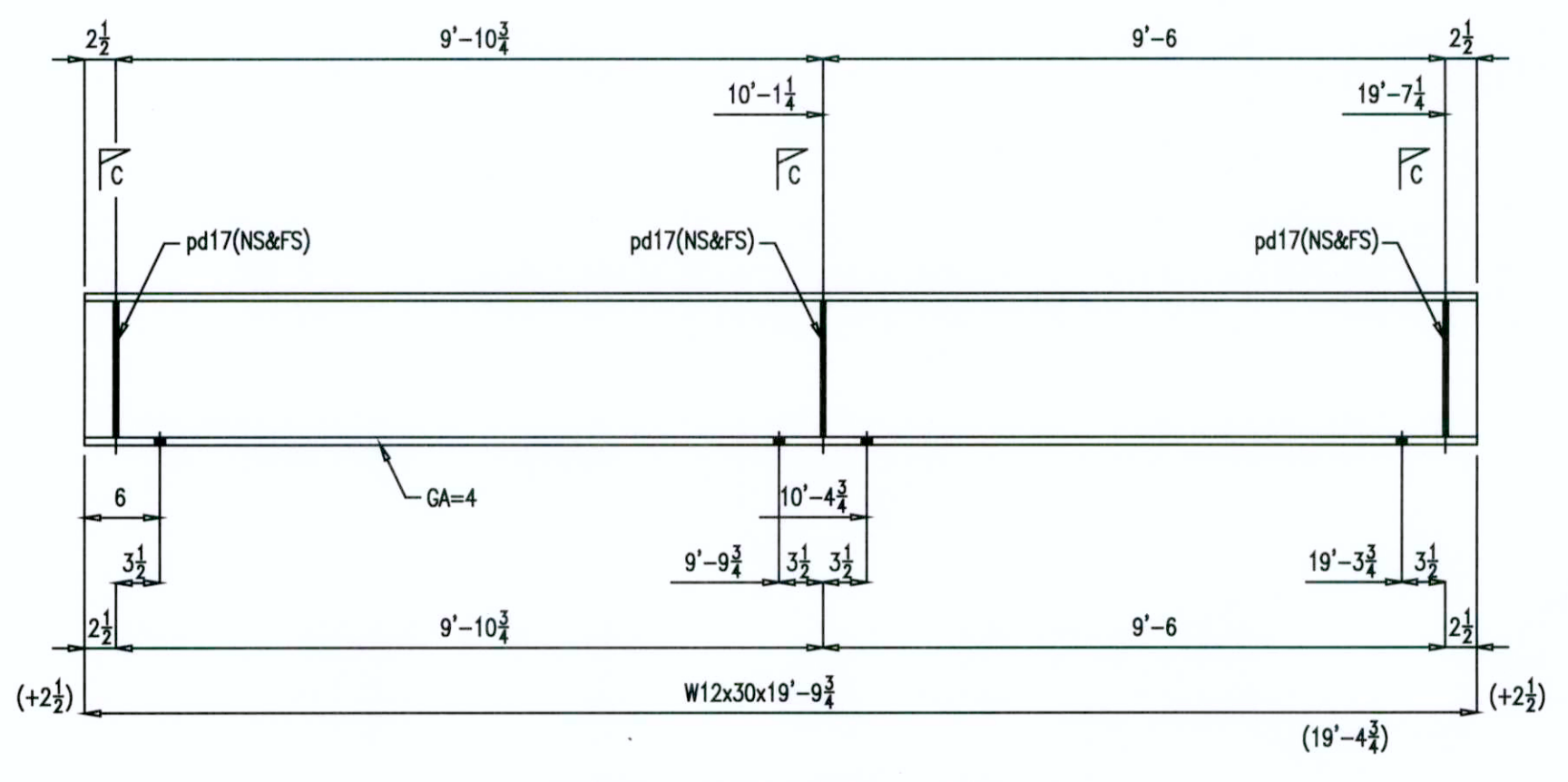
ONE - BEAM - 17A



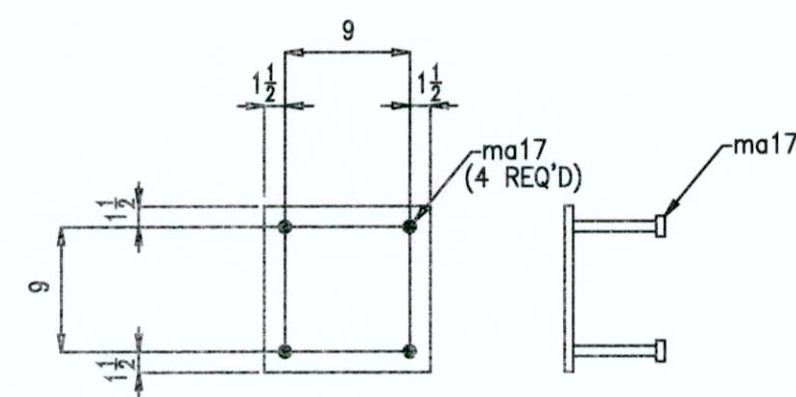
ONE - BEAM - 17B



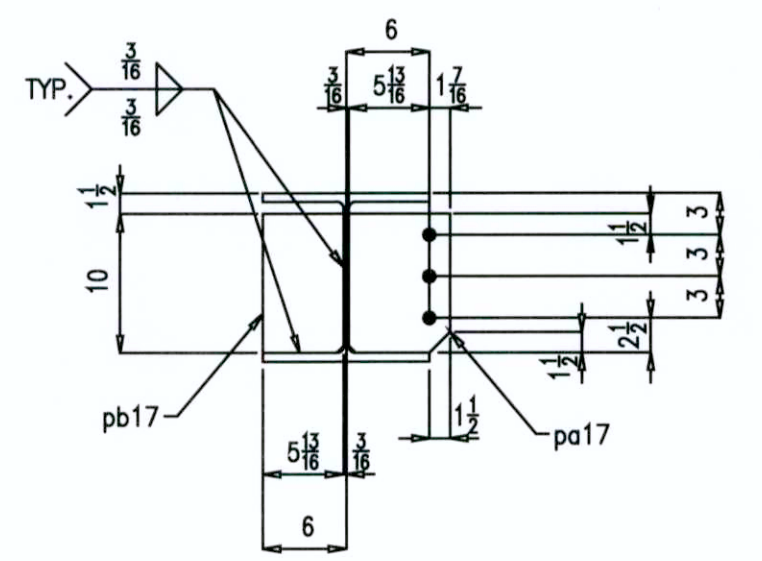
2 - BEAMS - 17D



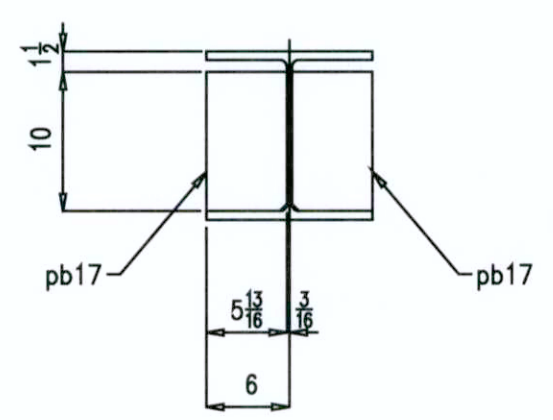
ONE - BEAM - 17F



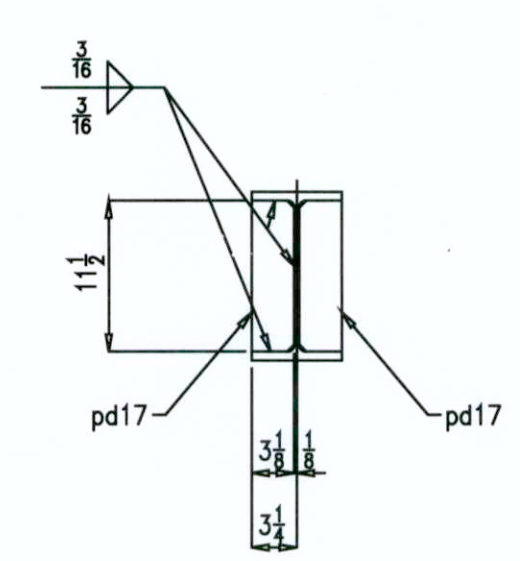
2 - PLATES - 17G



SECT. A
CLIP 3/4 x 3/4



SECT. B
CLIP 3/4 x 3/4



SECT. C
CLIP 3/4 x 3/4

| MARK | QTY | DESCRIPTION | FT | IN | REMARKS | WT |
|------|-----|--------------------|----|--------|---------|----|
| 17A | ONE | W12x65 | 18 | 10 3/4 | A992 | |
| pa17 | 2 | PL 3/8 x 7 1/4 | 0 | 10 | A36 | |
| pb17 | 4 | PL 3/8 x 5 13/16 | 0 | 10 | A36 | |
| 17B | ONE | W12x65 | 18 | 10 3/4 | A992 | |
| pa17 | 2 | PL 3/8 x 7 1/4 | 0 | 10 | A36 | |
| pb17 | 4 | PL 3/8 x 5 13/16 | 0 | 10 | A36 | |
| 17D | 2 | W12x65 | 10 | 5 | A992 | |
| 17F | ONE | W12x30 | 19 | 9 3/4 | A992 | |
| pd17 | 6 | PL 1/4 x 3 1/8 | 0 | 11 1/2 | A36 | |
| 17G | 2 | PL 5/8 x 12 | 1 | 0 | A36 | |
| ma17 | 8 | WELDED STUDS 3/4 Ø | 0 | 6 3/16 | A108 | |

GUARDRAIL NOTES
 1. LIN. FT. LENGTH INCLUDES ADDITIONAL 1'-6±
 2. ALL G.R. JOINT TO BE WELDED & GRIND SMOOTH

APPROVAL AUTHORITY:
 VERIFICATION OF DIMENSIONS, DETAILS, ETC
 ARE REQUESTED WHERE INDICATED. IF EACH
 VERIFICATION IS NOT NOTED OTHERWISE,
 IT WILL BE ASSUMED TO BE CORRECT AS SHOWN.

AS BUILTS



QUALITY CERTIFICATION

| PRINTS | NO. | DATE |
|-------------|-----|------|
| SHOP | | |
| FIELD | | |
| GEN CONT | | |
| PRJ MGR | | |
| Q A | | |
| 1st APPR | | |
| SHOP PRELIM | | |
| ERIC PRELIM | | |
| ENGR. | | |
| PURCH. | | |

| REFERENCE DRWG. / LOCATION | REV. | DATE | DESCRIPTION |
|-----------------------------|------------------|------|----------------|
| E2 | 0 | 7/10 | For FAB |
| MATERIAL (UNLESS NOTED) | A36 | | |
| SURFACE PREPARATION | SHOP PAINT | | |
| SHOP PAINT | SHOP PRIMER U.N. | | |
| SHOP CONNECTIONS/ELECTRODES | E70XX | | |
| FIELD CONNECTIONS | HOLES (U.N.) | | |
| CHECKER | YS | DATE | 6/10 |
| PROJECT MANAGER | SS | DATE | 6/10 |
| | | | 1 1/16" Ø U.N. |

STEEL STRUCTURES, INC.
 5980 So. Procyon Ave. - Las Vegas, Nevada
 (702)736-7033

CITY OF LAS VEGAS MUSIUM

Las Vegas, Nevada

APCO

BEAM

JOB NO. 1014
 DRWG. NO. 17

THIS PROJECT SHALL BE ERRECTED PER THE AISC THIRTEENTH EDITION CODE OF STANDARD PRACTICE SPECIFICALLY PARAGRAPH 7.14 AS FOLLOWS:
 7.14 CORRECTION OF ERRORS
 The correction of minor misfits by moderate amounts of reaming, grinding, welding or cutting, and the drawing of elements into line with drift pins. shall be considered to be normal erection operations. Errors that cannot be corrected using the foregoing means, or that require major changes in the member or Connection configuration, shall be promptly reported to the Owner's Designated Representatives for Design and Construction and the Fabricator by the Erector to enable the responsible entity to either correct the error or approve the most efficient and economical method of correction to be used by others.
 No Backcharges Will Be Accepted Unless Approved In Writing By Steel Structures, Inc