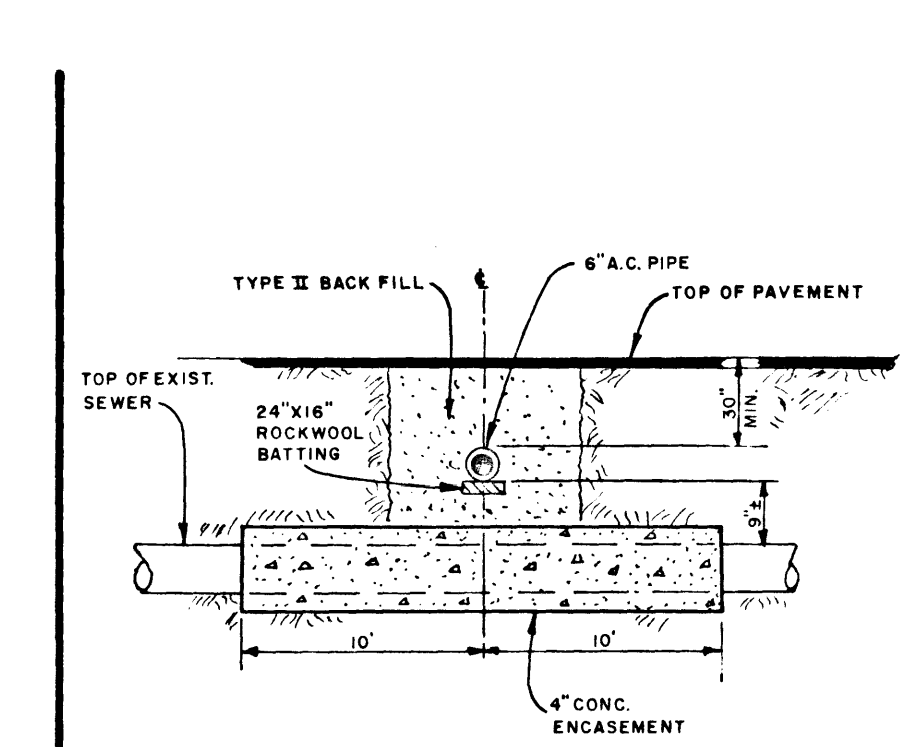
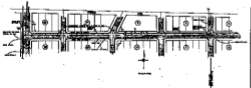
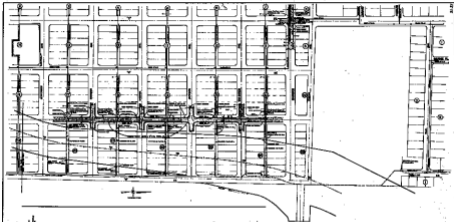


DETAIL "A"
NO SCALE
TYPICAL WET CONNECTION TO EXISTING WATER MAINS



DETAIL "B"
NO SCALE
4" SEWER ENCASUREMENT AT MONROE AVE. & "B" ST.

LAS VEGAS VALLEY WATER DISTRICT			
FACILITIES MODIFICATIONS			
FOR			
INTERSTATE ROUTE 15			
BONANZA RD. TO OWENS AVE.			
Scale:	1"=100'	Date:	Dwg. No.
Drawn:	M.R.B.		XC-470
Checked:			
Approved:			
R.P.E. No.	869		565-93



SCALE
1/4" = 1'-0"



SCALE
1/4" = 1'-0"

UNIVERSITY OF CALIFORNIA			
ARCHITECTURAL DEPARTMENT			
STUDENT'S NAME IS			
PRINTED HEREON			
NO.	DATE	BY	SCALE
			XC-670
			1952