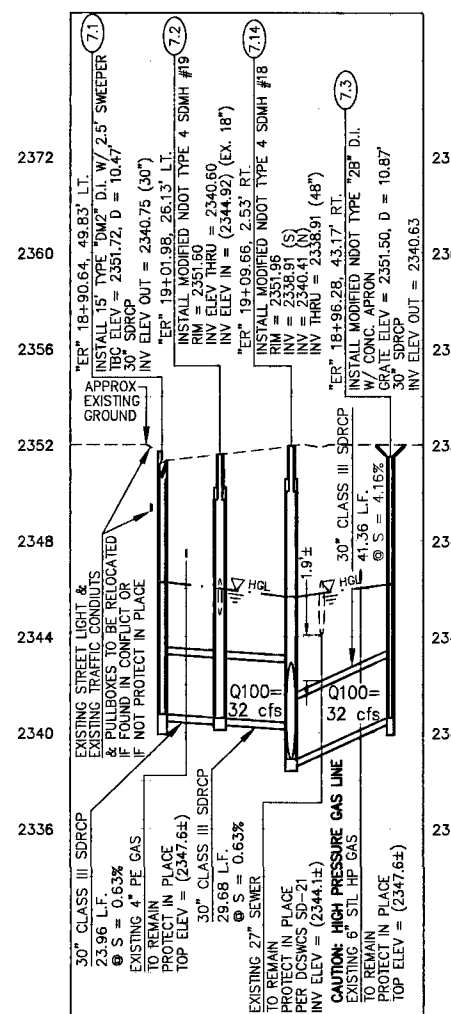
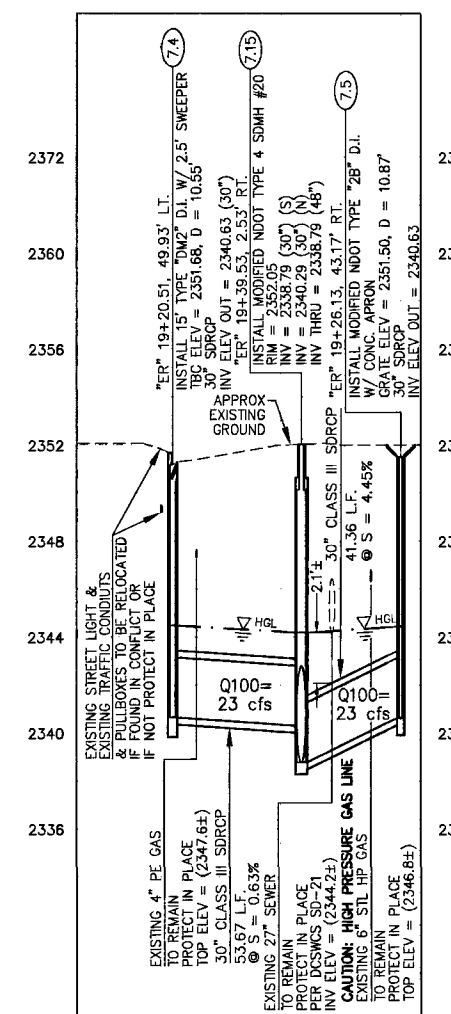


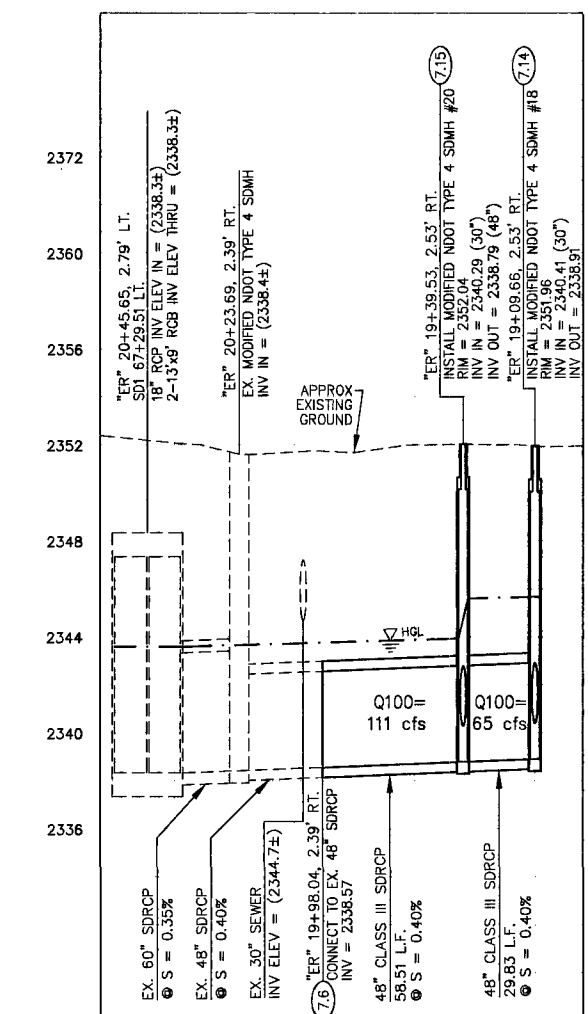
LATERAL 21



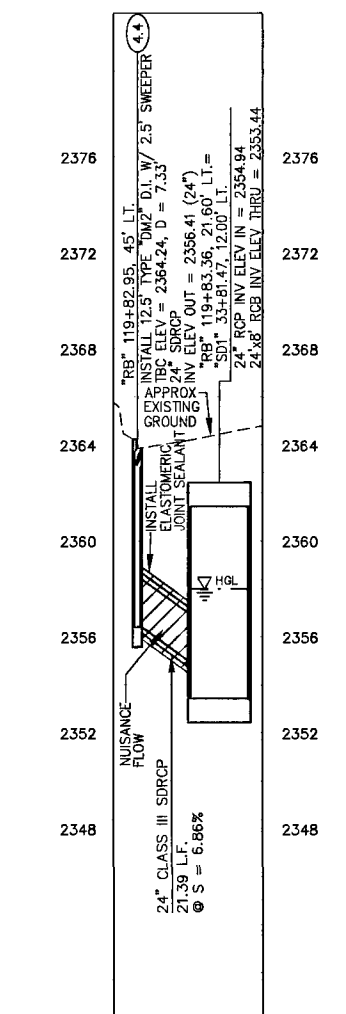
LATERAL 22



LATERAL 23



LATERAL 24



LATERAL 25

- NOTES:**
- SEE SHEET SD1 THRU SD7 FOR "SD1" STORM DRAIN PLANS.
 - SEE SHEET SS1 THRU SS7 FOR SANITARY SEWER RELOCATION PLANS.
 - SEE SHEET D8 FOR MODIFIED NDOT TYPE 2B DROP INLET W/ CONCRETE APRON DETAIL.
 - SEE SHEET D6 FOR MODIFIED NDOT TYPE 4 SDMH DETAIL.
 - SEE SHEET S11 FOR MODIFIED NDOT TYPE "B" DROP INLET DETAIL.
 - SEE SHEET D7 FOR TYPE "DM2" DROP INLET DETAIL.
 - NO PIPE BELL SHALL BE PLACED ABOVE OR BELOW AN EXISTING UTILITY.

CALL SOUTHWEST GAS AT 365-2296 FOR STANDBY WHEN EXCAVATING OVER OR NEAR HIGH PRESSURE GAS LINES

Call before you Overhead
 1-702-227-2929
 NV ENERGY ENVIRONMENT AND SAFETY SERVICES DEPARTMENT

Call before you Dig
 Avoid cutting underground utility lines. It's costly.
811

CONTRACTOR TO VERIFY ALL EXISTING UTILITY LOCATIONS BOTH HORIZONTALLY & VERTICALLY PRIOR TO COMMENCEMENT OF CONSTRUCTION

<p>PUBLIC WORKS DEPARTMENT 400 E. STEWART AVE. LAS VEGAS, NV 89101 702-228-6272</p>		<p>2727 SOUTH RAINBOW BOULEVARD LAS VEGAS, NEVADA 89146-5148 P.O. BOX 975-7500 LAS VEGAS, NV 89168 WWW.PWV.NV.GOV</p>	
<p>STORM DRAIN RCP LATERAL PROFILES</p>		<p>LAS VEGAS WASH - MIDDLE BRANCH RAINBOW STORM DRAIN ELKHORN TO GRAND TETON</p>	
<p>DRAWN BY: KAS DESIGNED BY: DAB CHECKED BY: KDD/MM/ZEN PROJECT NO: 5952</p>	<p>JUNE 15, 2009 JUNE 15, 2009 JUNE 15, 2009</p>	<p>SCALE: HORIZ. 1"=40' VERT. 1"=4'</p>	<p>SHEET NO: SD12 OF 70 SHEETS DRAWING NO: 731-67-1</p>