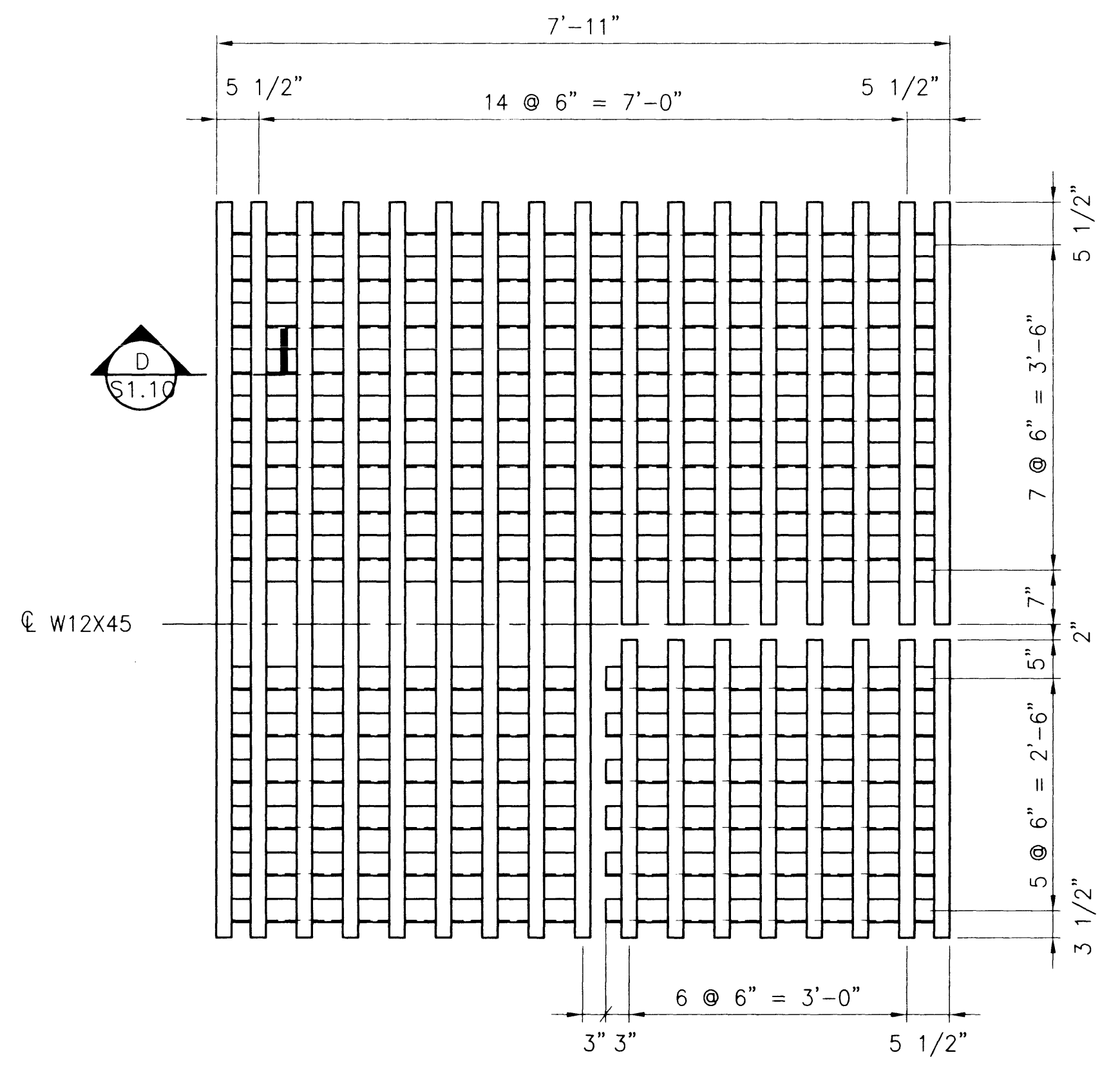


SECTION D  
1 1/2" = 1'-0"

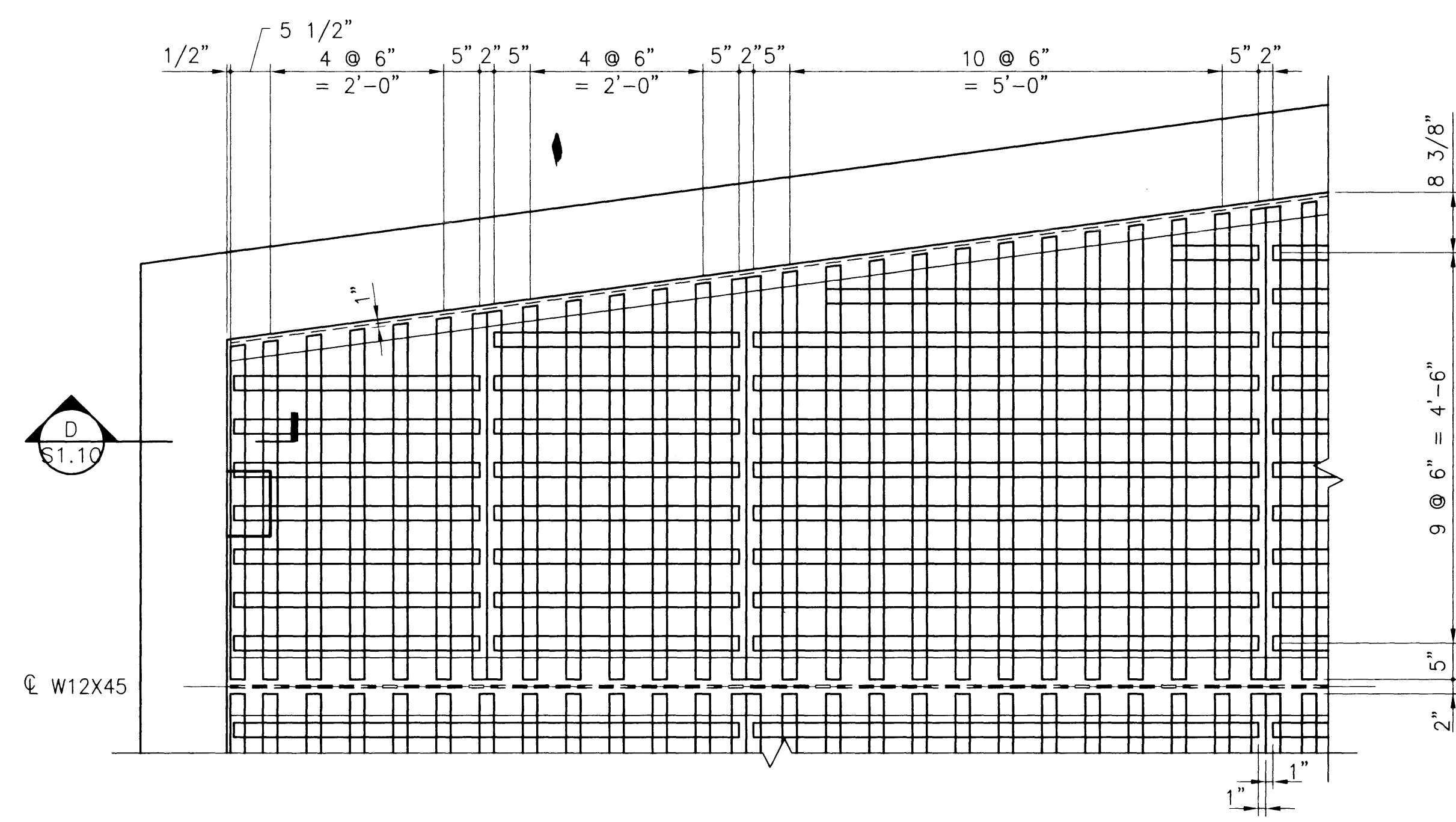
SECTION B  
1 1/2" = 1'-0"

SECTION C  
1 1/2" = 1'-0"

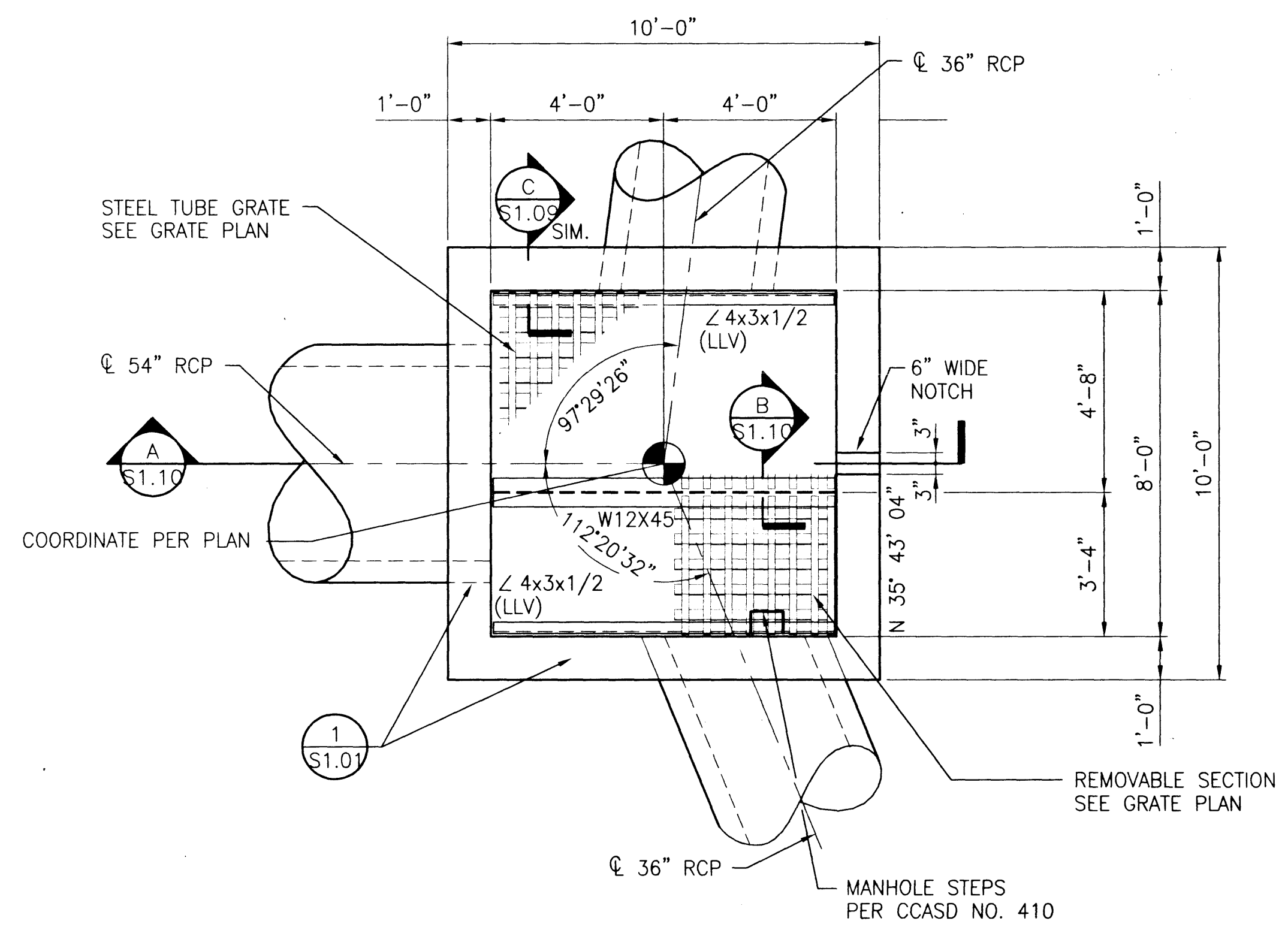
SECTION A  
3/8" = 1'-0"



GRATE PLAN STRUCTURE NO. 2  
3/4" = 1'-0"



GRATE PLAN STRUCTURE NO. 1  
3/8" = 1'-0"



PLAN  
3/8" = 1'-0"

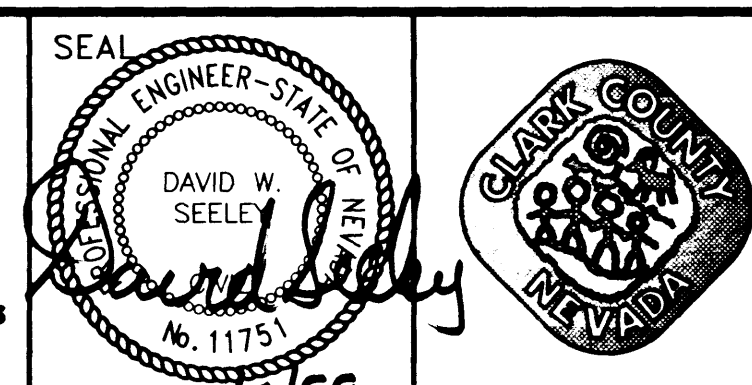
NOTE:  
ALL STEEL TO BE HOT DIP GALVANIZED AFTER FABRICATION

NOTE:  
ALL STEEL TO BE HOT DIP GALVANIZED AFTER FABRICATION

REVISIONS				
REV.	DESCRIPTION	BY	DATE	APPROVAL

DESIGNED BY: DWS  
DRAWN BY: ELY  
CHECKED BY: DWS  
DATE: 7/28/99

JOB NO.: 98037P4  
DRAWING NO.: S1.09  
SCALE:  
HORIZ.:  
VERT.:



**Department of Public Works**

**LAKES DETENTION BASIN & ASSOCIATED COLLECTION FACILITIES-PHASE 3**  
**DESERT INN, DURANGO & SPRING MOUNTAIN COLLECTION INFLOW/OUTFLOW STRUCTURE NO. 2**

**L-1583**

DRAWING NO. 77  
S110 77

**R<sub>2</sub>H • GB&L ENGINEERING**  
CONSULTING STRUCTURAL ENGINEERS

840 GRIER DRIVE, SUITE 320  
LAS VEGAS, NEVADA 89119  
PHONE (702) 260-7000  
FAX (702) 260-7070

22584

8/5/99

731-72