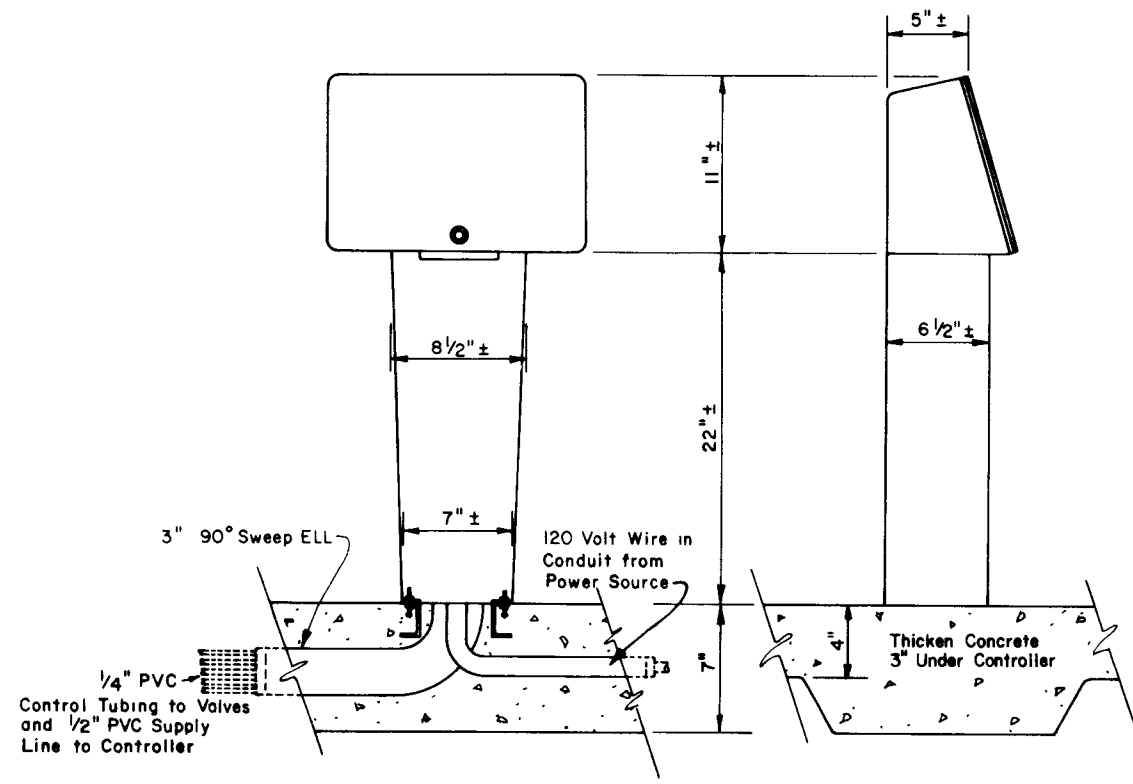
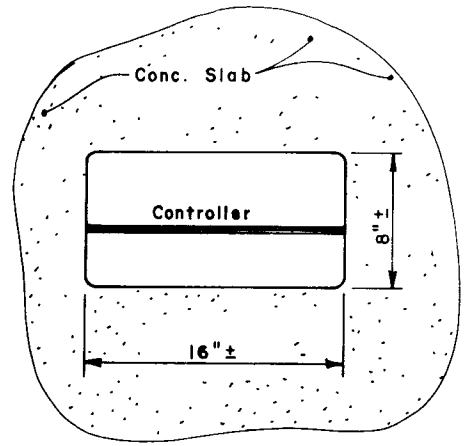


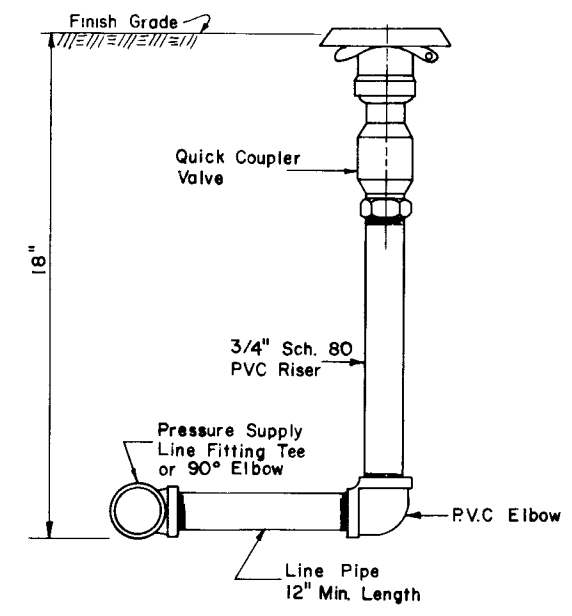
FED RD REG NO	STATE	PROJECT NO	COUNTY
9	NEVADA	I-015-(48)43	CLARK



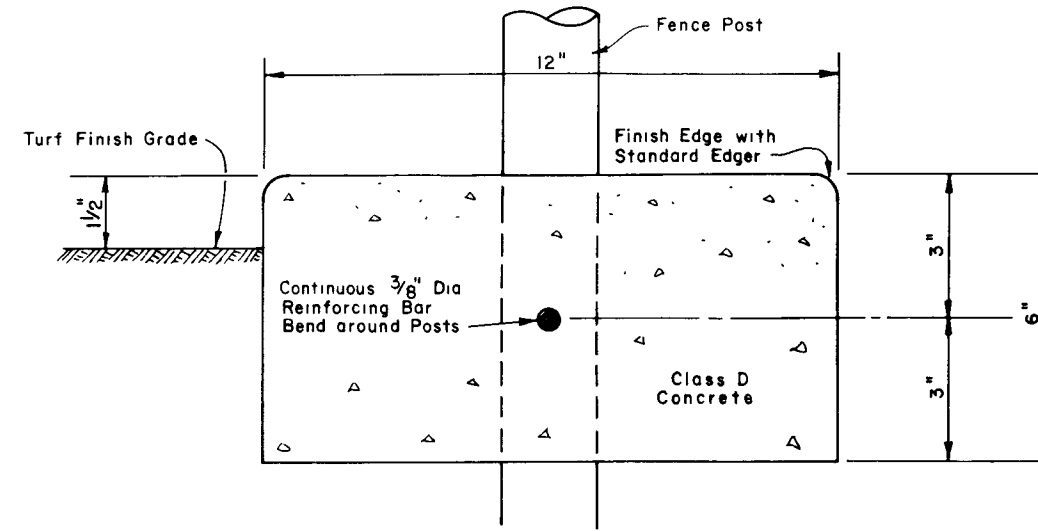
FRONT SECTION  
SIDE ELEVATION



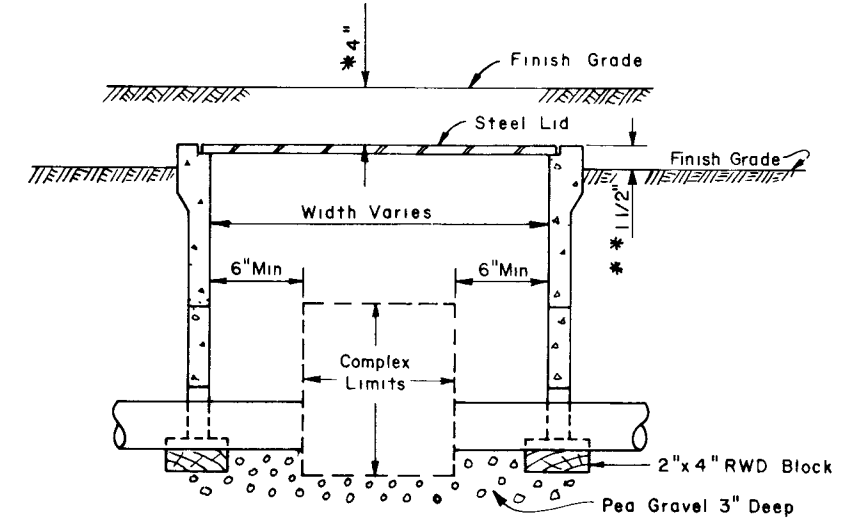
PLAN  
HYDRAULIC CONTROLLER



SECTION  
QUICK COUPLER UNIT

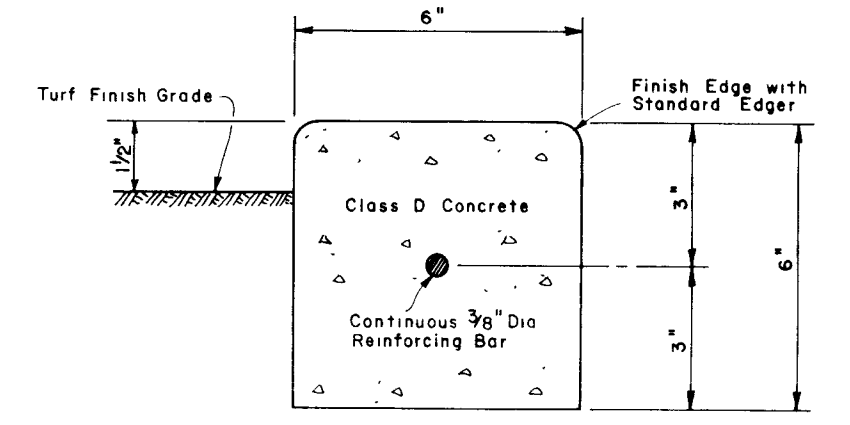


SECTION  
CONCRETE CURB (SPECIAL)



SECTION  
CONCRETE VALVE BOX

\* Hydraulic Control Valves Only  
\*\* All Other Valves



SECTION  
CONCRETE MOWING STRIP

STATE OF NEVADA  
DEPARTMENT OF HIGHWAYS  
SPECIAL DETAIL

31579

650.26-2