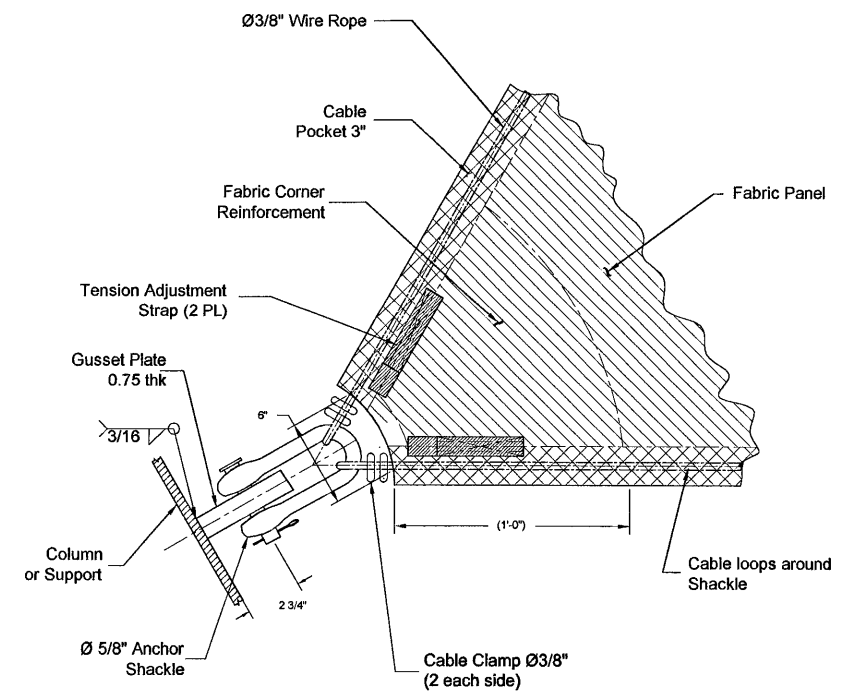
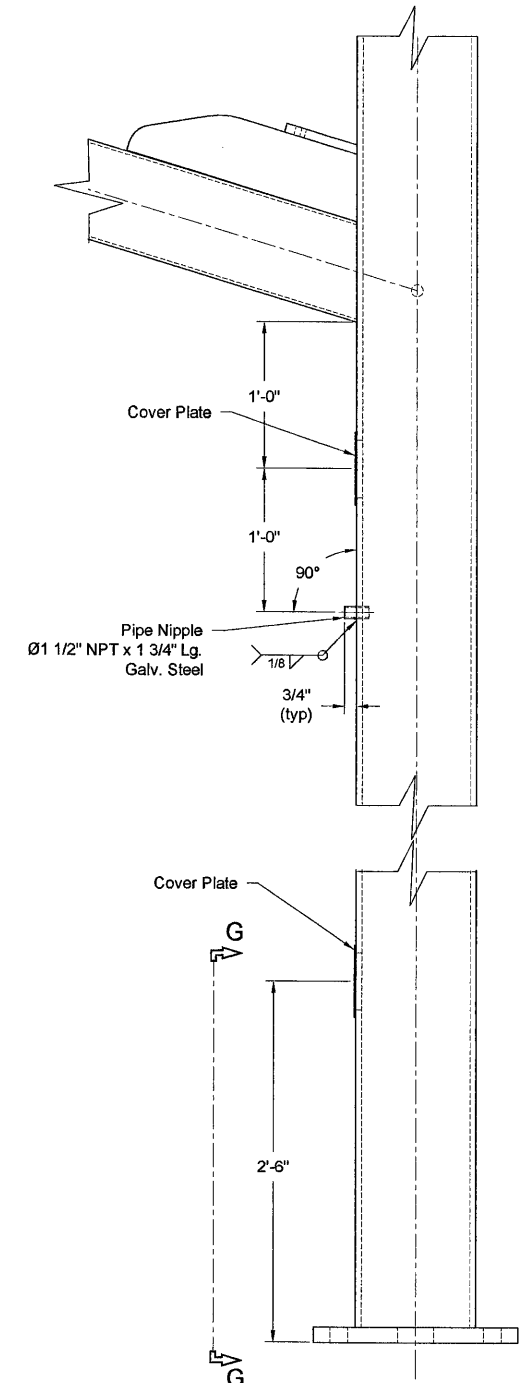


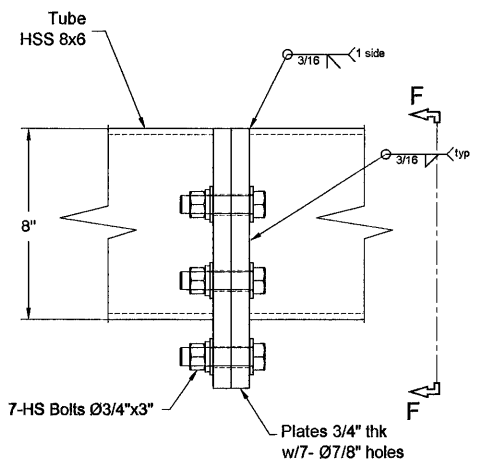
FABRIC ATTACHMENT DETAIL D



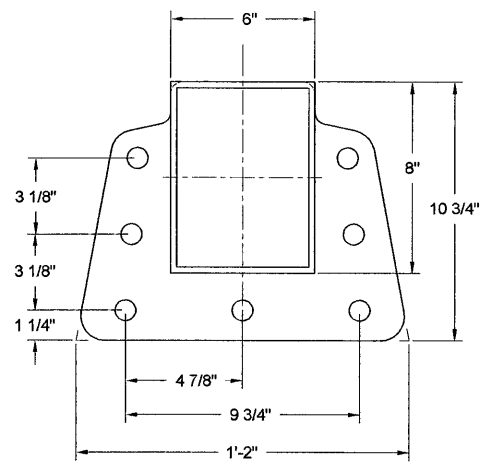
FABRIC ATTACHMENT DETAIL E



DETAIL F



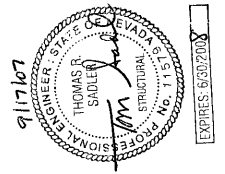
DETAIL F



VIEW G-G

RECEIVED
SEP 21 2007
CITY OF LAS VEGAS
PERMITS

The Sadler Group
500 Main Street, Ste. 700
Ft. Worth, TX 76102
817-332-1074 Fax: 817-338-0335



USASHADE
& Fabric Structures, Inc.
8505 Chancellor Row
Dallas, Tx 75247
1 800 966 5005

Sun Ports
Offices in: Dallas, TX Austin, TX
Las Vegas, NV and Meza, AZ

Certifications :
IAS Certification No. FA-428
Clark County Manufacturer Cert No. 355

Customer
Southwick Landscape Architects
Project
Lorenzi Park for the City of Las Vegas
Location
Las Vegas NV

Structure
Multi-Level Super Span Units 1 & 2
Size

BID No 07-15314.01
CLV Dwg. No 650.19-47
100% CD Document
Not for construction

Drawing Description
Details

Drawing No.
700-12093

FILE / DPIC :
700-12093.dwg

Date
May 7, 2007

Drawing by: **J. Hernandez**
Checked by: **J. Margarito**

Job No
29997

Page
FS 5.1

PLANS APPROVED
STRUCTURAL
DATE: DEC 05 2007
Does Not Include Architectural Elements
Improvements Made Per Change
Without Approval May Be
Not a Permit to Violate Any Ordinances