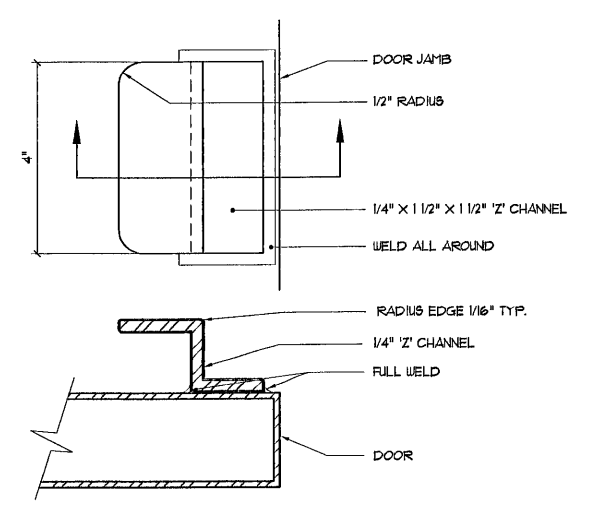
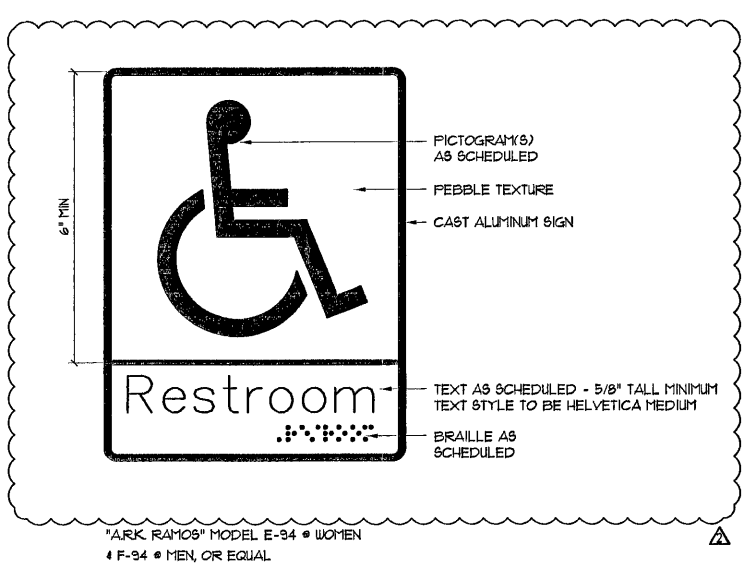


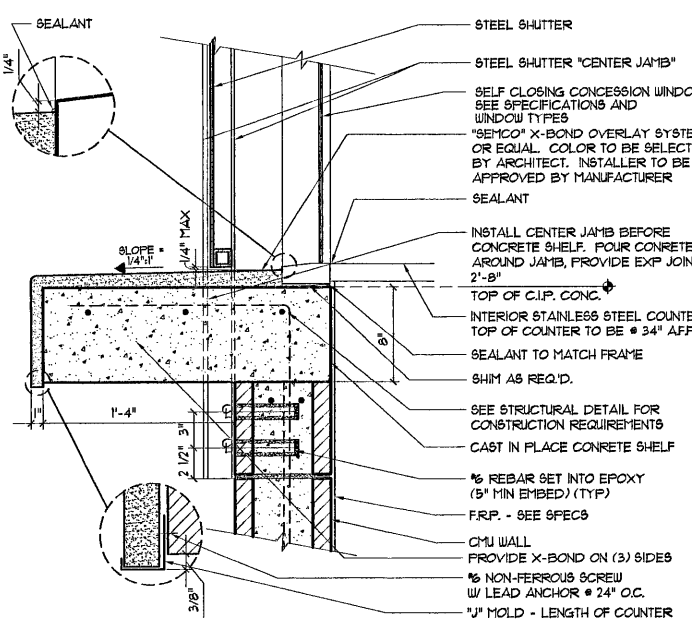
10 Sign Mounting Detail
Scale: 3\"/>



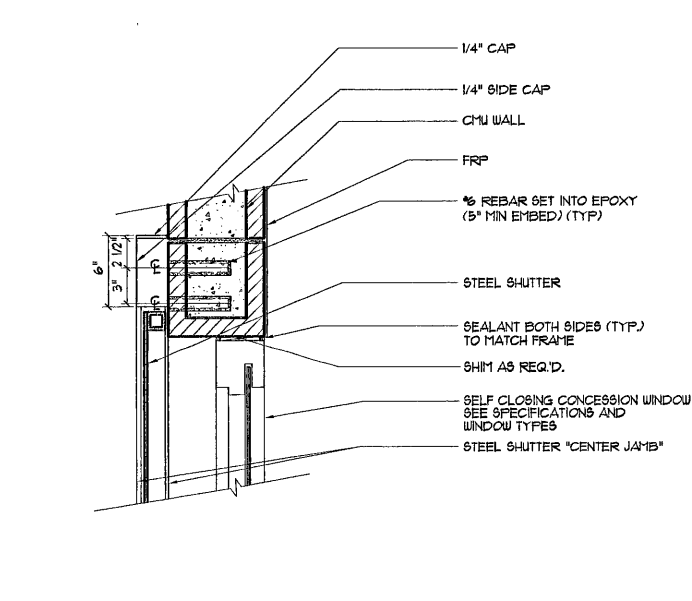
11 Pull Handle
Scale: 6\"/>



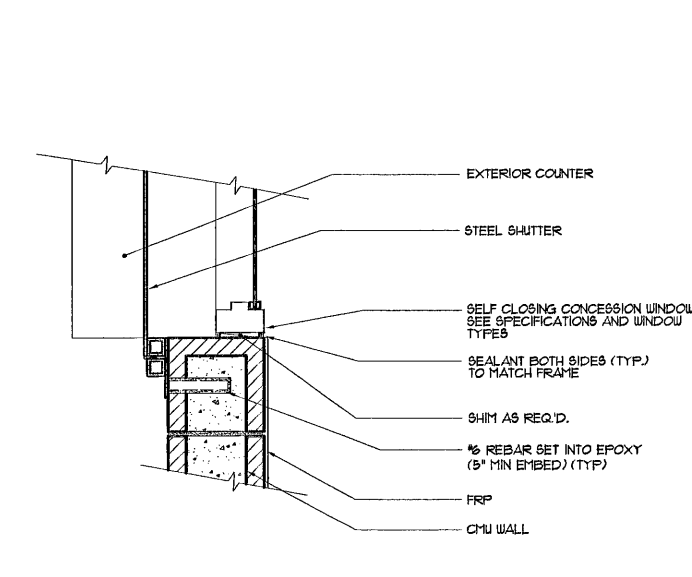
12 Sign Elevation
Scale: N.T.S.



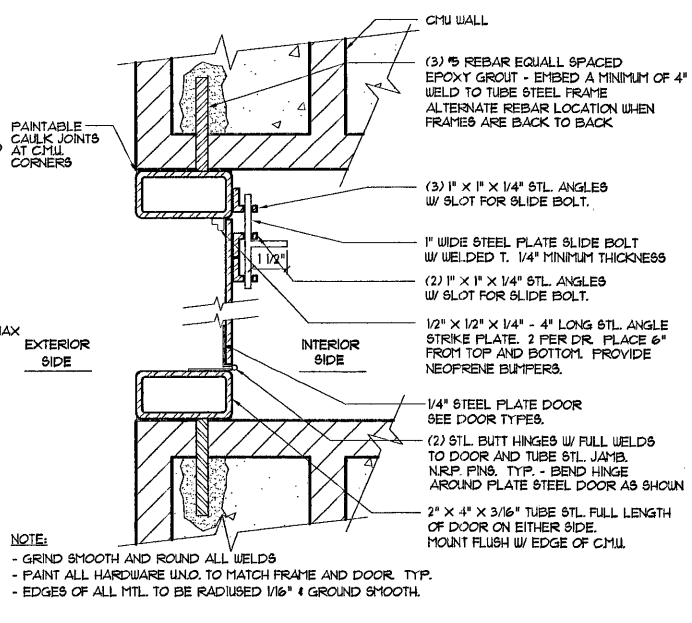
7 Sill Dtl. @ Concession Window
Scale: 1/2\"/>



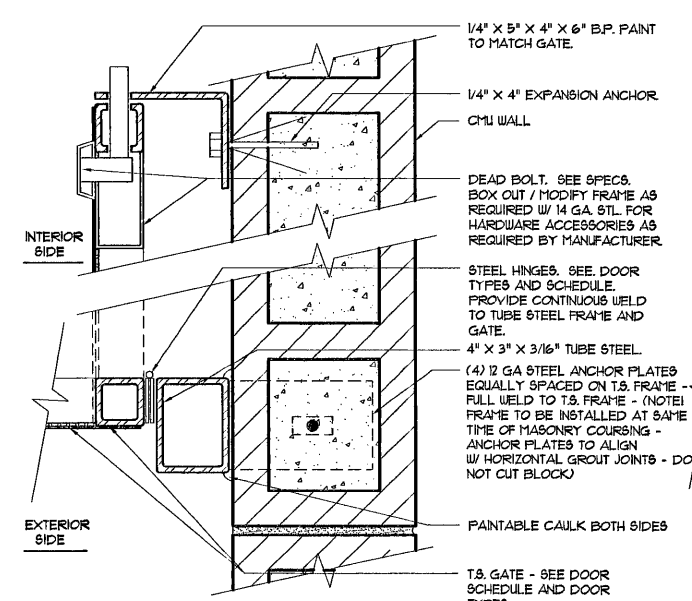
8 Head Dtl. @ Concession Window
Scale: 1/2\"/>



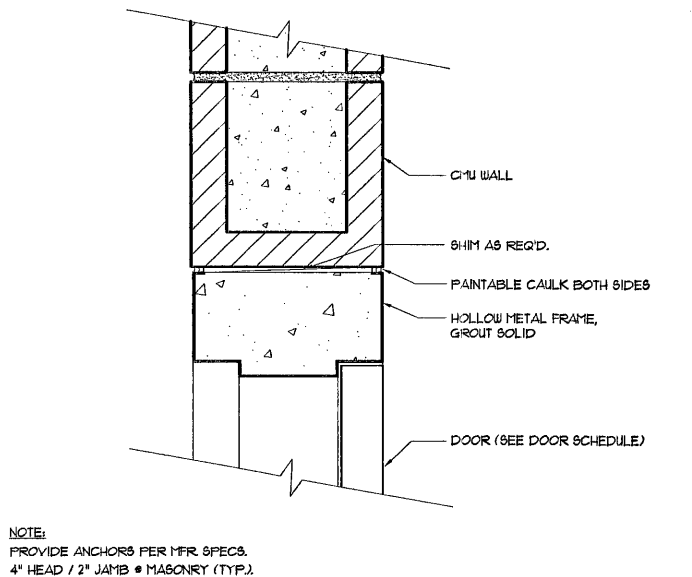
9 Jamb Dtl. @ Concession Window
Scale: 1/2\"/>



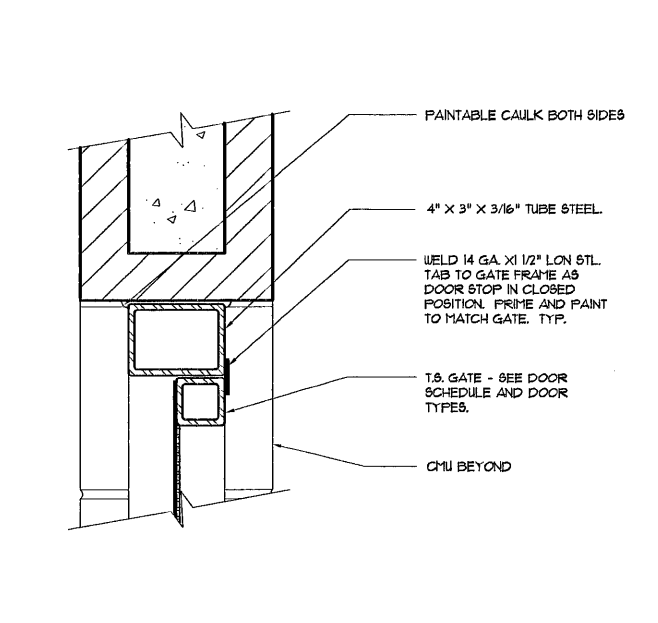
4 Jamb - Hinge and Latch Sides
Scale: 3\"/>



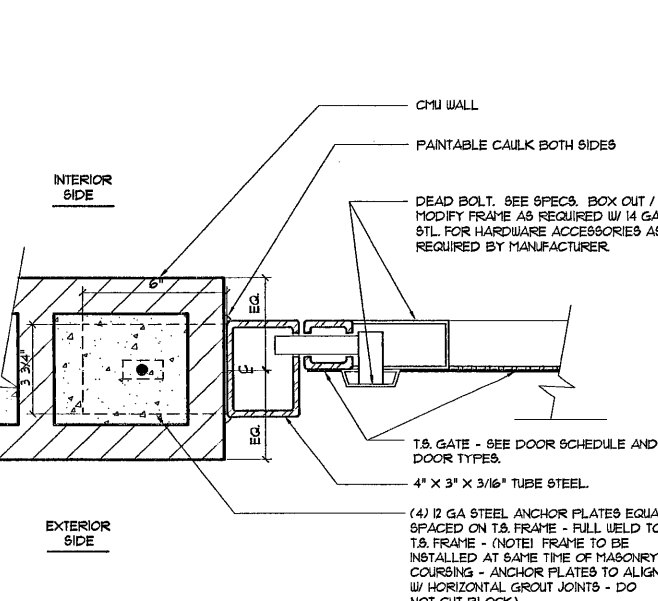
5 Jamb Det. @ Gate Hinge
Scale: 3\"/>



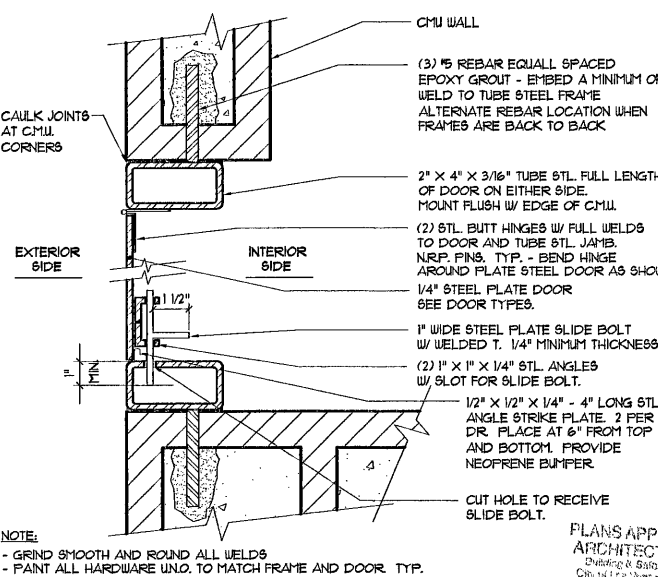
6 Head - Jamb Sim.
Scale: 3\"/>




1 Head @ T.S. Gate
Scale: 3\"/>



2 Jamb Det. @ Gate
Scale: 3\"/>



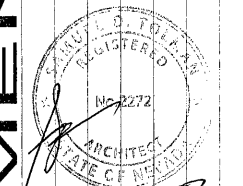
3 Jamb - Hinge and Latch Sides
Scale: 3\"/>



RECEIVED
OCT 12 2007
CITY OF LAS VEGAS
BUILDING DEPT.

DEPARTMENT OF PUBLIC WORKS

Lorenzi Park Renovation
Phase 1
Restroom/Concession/Storage Building
Details



OWNER: CITY OF LAS VEGAS
DEPARTMENT OF PUBLIC WORKS
ARCHITECTURAL SERVICES

400 EAST STEWART AVENUE
LAS VEGAS, NEVADA 89101
PHONE: (702) 229-6535
FAX: (702) 384-1816
TDD: (702) 386-9108

DATE: June 2001
SCALE: As Noted
JOB NO: 07153410
CLV ORG NO: 65019-47

PLANS APPROVED
ARCHITECTURAL
DATE: OCT 17 2007

RCS-A7