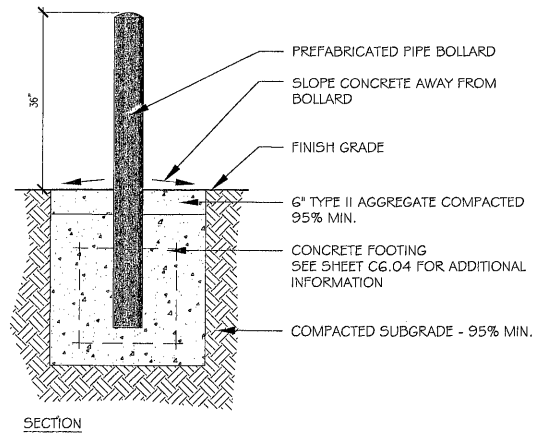


**A NOT USED**

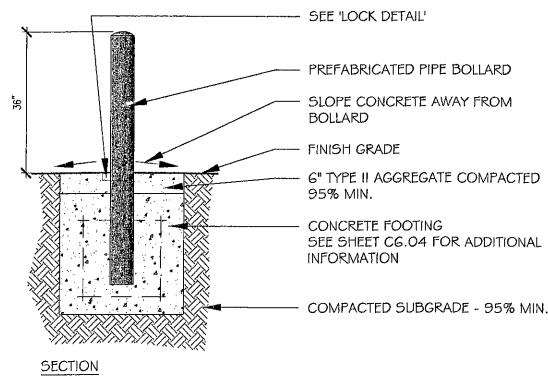
NOT TO SCALE



NOTES:  
1) FINISH TO BE MASTERCOAT. COLOR TO BE CHOCOLATE. MANUFACTURED BY BRP ENTERPRISES, INC. P.O. BOX 90813 LINCOLN, NE 68501 T: 888/438-5311 F: 888/438-5312  
2) INSTALL PER MANUFACTURER'S RECOMMENDATIONS.

**D EMBEDDED BOLLARD**

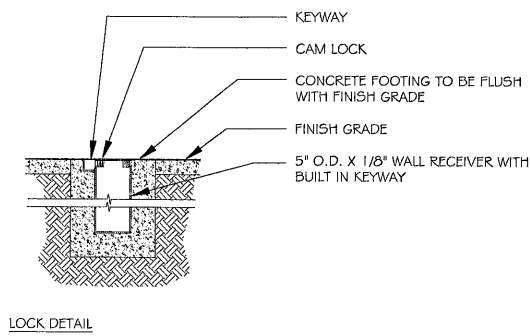
NOT TO SCALE



NOTES:  
1) FINISH TO BE MASTERCOAT. COLOR TO BE CHOCOLATE. MANUFACTURED BY BRP ENTERPRISES, INC. P.O. BOX 90813 LINCOLN, NE 68501 T: 888/438-5311 F: 888/438-5312  
2) INSTALL PER MANUFACTURER'S RECOMMENDATIONS.

**E REMOVABLE BOLLARD**

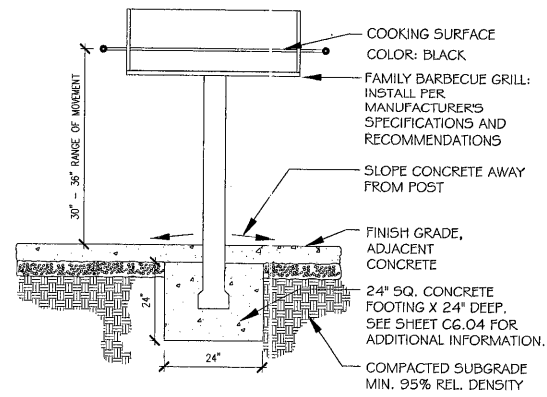
NOT TO SCALE



LOCK DETAIL

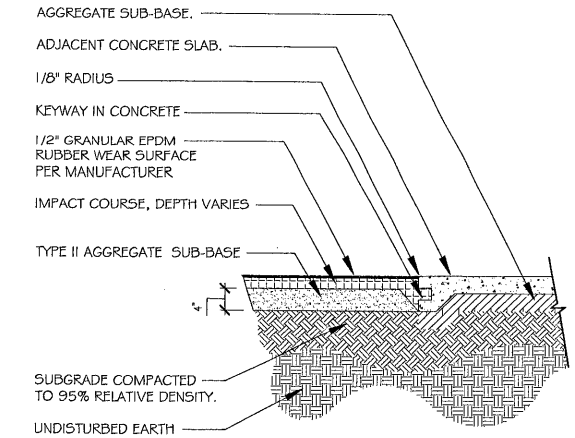
**B BARBECUE GRILL**

NOT TO SCALE



**C TOT LOT SAFETY SURFACE**

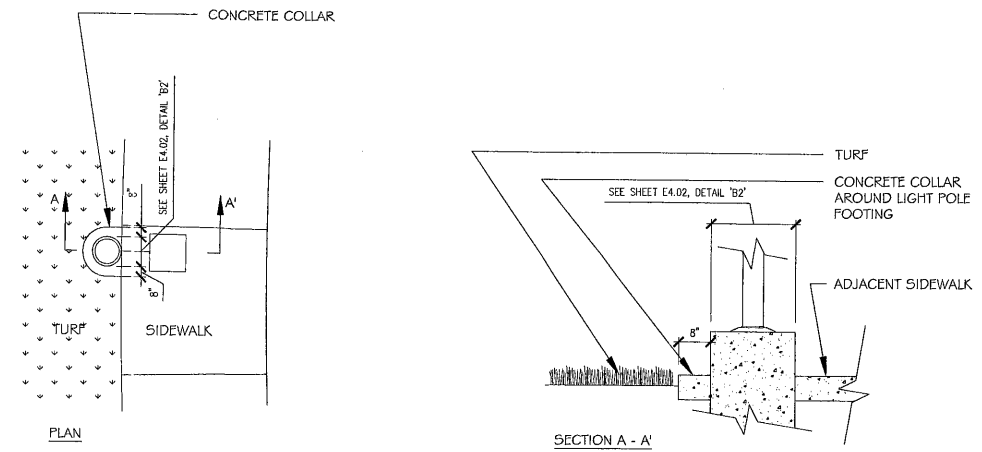
NOT TO SCALE



NOTES:  
1) DEPTH OF 9DR CUSHION COURSE SHALL MEET OR EXCEED ASTM F1292 AND ASTM 355 FOR IMPACT ATTENUATION. SEE SPECIFICATIONS.  
2) INSTALL PER MANUFACTURER'S RECOMMENDATIONS AND SPECIFICATIONS.

**F CONCRETE COLLAR AT LIGHT POLE (TURF AREAS ONLY)**

NOT TO SCALE

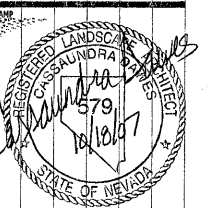


CONSULTANT

**southwick LA**

702.597.3108  
12 Commerce Center Drive  
Henderson, NV 89014  
www.southwickla.com

Lorenzi Park Renovations  
Phase I  
SITE DETAILS



OWNER: CITY OF LAS VEGAS  
DEPARTMENT OF PUBLIC WORKS  
ARCHITECTURAL SERVICES

400 EAST STEWART AVENUE  
LAS VEGAS, NEVADA 89101  
PHONE: (702) 229-8535  
FAX: (702) 384-8846  
TDD: (702) 386-9108

DRAWN	SAR
FILE	06-083
DATE	JUNE 2007
SCALE	AS SHOWN
REV NO	07/23/07
CLW DWS NO	68078-41
DATE	19 2007 2 3 17

SHEET NO  
**L5.02**

117414