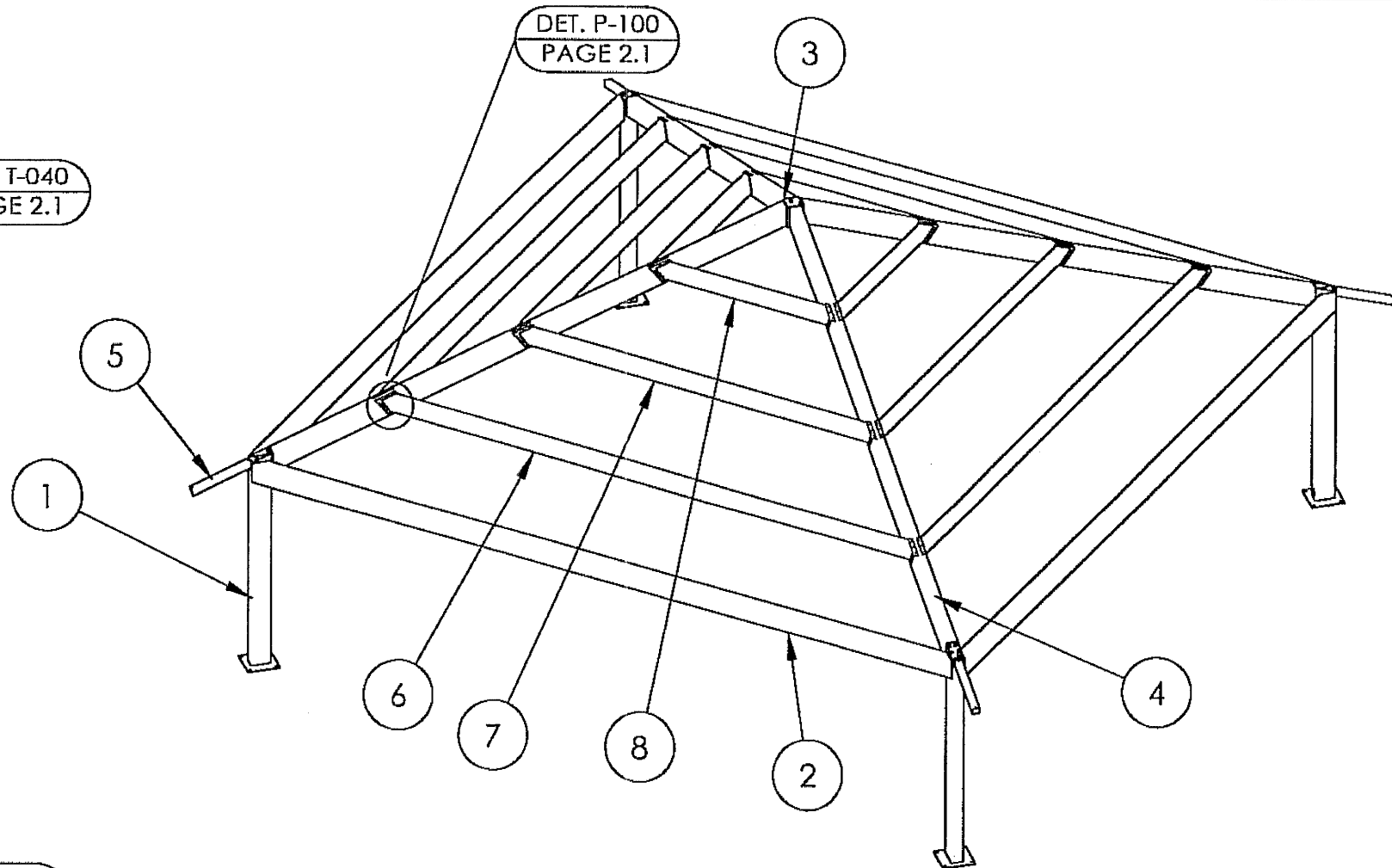
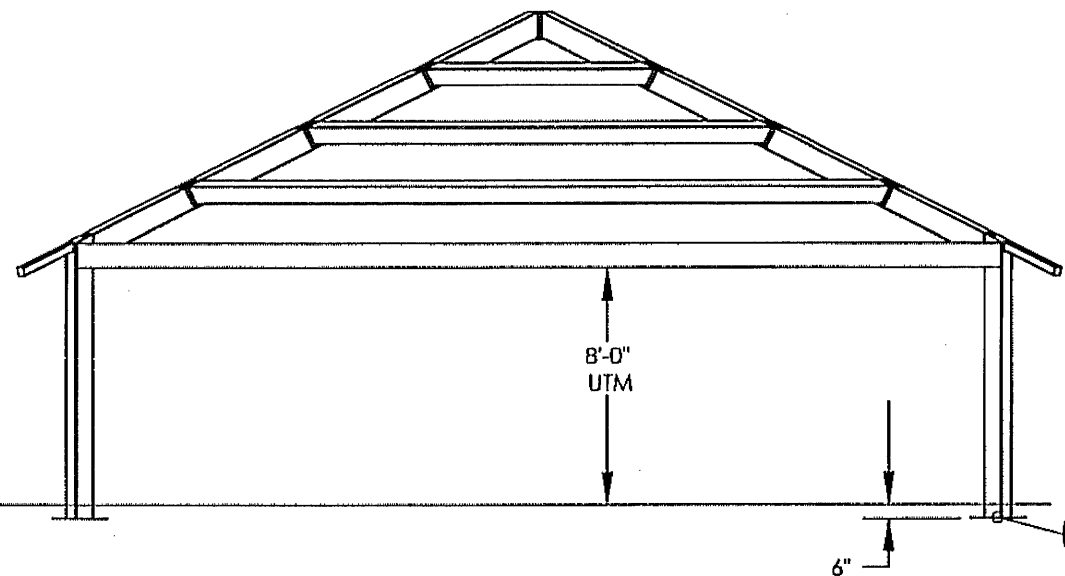


DET. T-040
PAGE 2.1

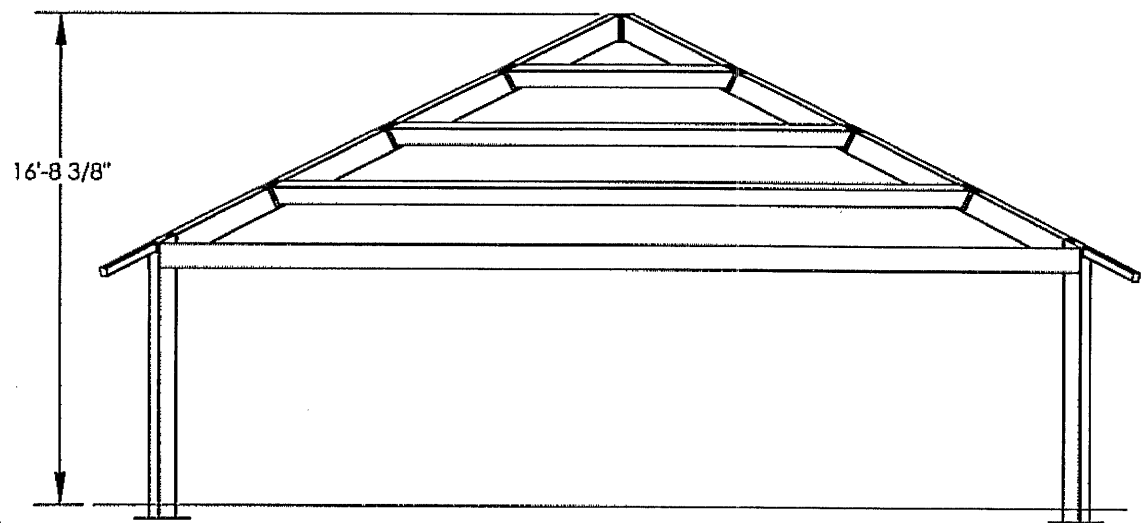
DET. C-441
PAGE 2.1



DET. P-100
PAGE 2.1



DET. A-100
PAGE 2.1



ITEM	FRAME/QTY.	Part No.	Description	Material
8	4	SQR-P11 Purlin_3 Assy-43291	UPPER PURLIN ASM, HSS8X6X3/16, 93.629'L	HSS8X6X3/16
7	4	SQR-P11 Purlin_2 Assy-43291	MIDDLE PURLIN ASM, HSS8X6X3/16, 190.451'L	HSS8X6X3/16
6	4	SQR-P11 Purlin Assy-43291	LOWER PURLIN ASM, HSS8X6X3/16, 287.272'L	HSS8X6X3/16
5	4	SQR-Flex T-Tail-43291	T-TAIL ASM, HSS3.5X3.5X1/8X31.098'L	HSS3.5X3.5X1/8
4	4	SQR-Flex Truss-43291	TRUSS ASM, HSS10X6X3/16X271.658'L	HSS10X6X3/16
3	1	SQR-Flex C-Tube-43291	COMPRESSION TUBE, HSS8X8X3/8, 11'1 7/8"L	HSS8X8X3/8
2	4	SQR-FLEX T-MEM-43291	T-MEM ASM, HSS10X6X3/16X378.298'L	HSS10X6X3/16
1	4	SQR-Flex Column-43291	COL ASM, HSS10X6X3/16X115.168'L	HSS10X6X3/16

THIS SEAL PERTAINS ONLY TO THE MATERIALS SUPPLIED BY POLIGON. THIS SEAL DOES NOT SERVE AS - OR REPRESENT - THE PROJECT ENGINEER OF RECORD AND SHALL NOT BE CONSTRUED AS SUCH.