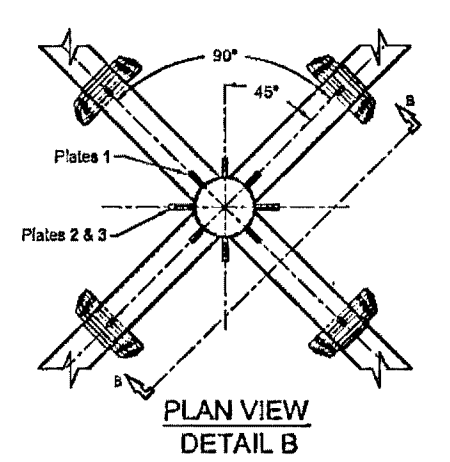
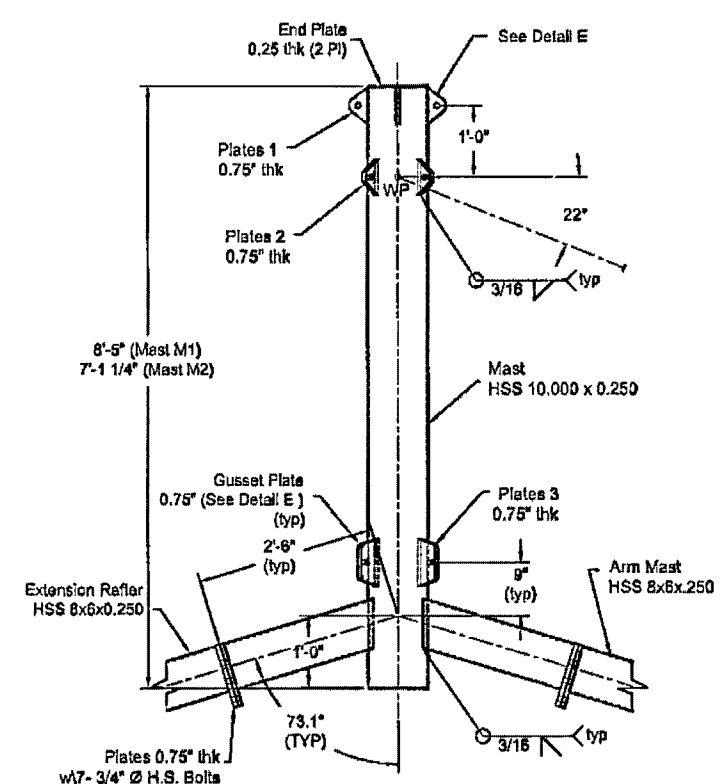


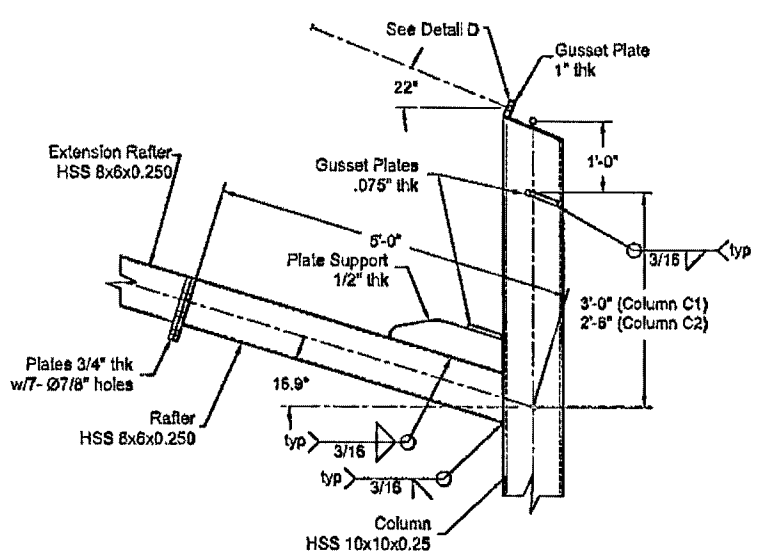
PIER DETAIL - P1 & P2



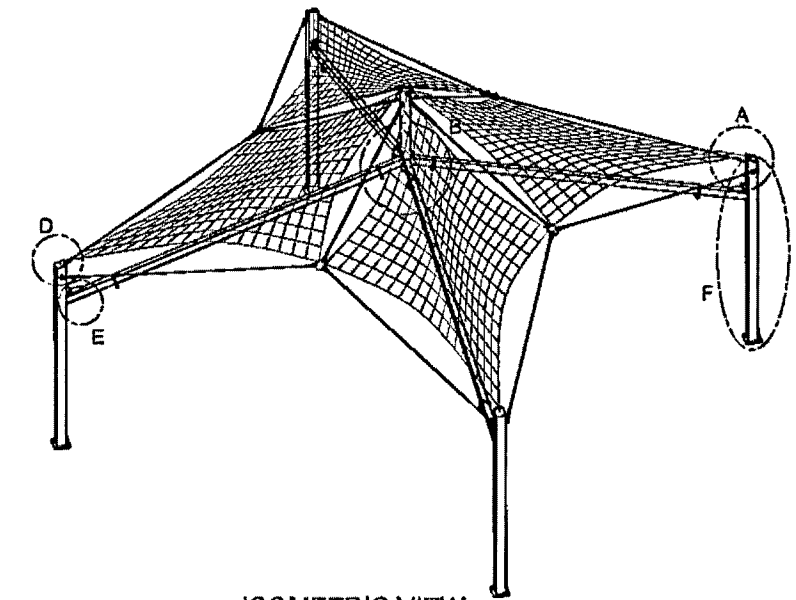
PLAN VIEW
DETAIL B



VIEW C-C
(Adjacent arms omitted
for clarity)



DETAIL A



ISOMETRIC VIEW
(Modular Unit)

**RECORD DRAWINGS
NOT FOR CONSTRUCTION**

1. TO ALTER THESE DOCUMENTS FOR ANOTHER PROJECT BY ANYONE OTHER THAN THE ORIGINAL ARCHITECT IS A VIOLATION OF NRS 623.

2. THIS RECORD DRAWING HAS BEEN PREPARED IN PART, BASED UPON INFORMATION FURNISHED BY THE GENERAL CONTRACTOR, WHILE THIS INFORMATION IS BELIEVED TO BE RELIABLE, THE DESIGN PROFESSIONAL CANNOT ASSURE ITS ACCURACY, AND THIS IS NOT RESPONSIBLE FOR THE ACCURACY OF THIS RECORD DRAWING OR FOR ANY ERRORS OR OMISSIONS WHICH MAY HAVE BEEN INCORPORATED INTO IT AS A RESULT. THE DESIGN PROFESSIONAL CANNOT AND DOES NOT WARRANT THEIR ACCURACY.

3. INFORMATION THAT MAY BE INCLUDED WOULD BE SIGNIFICANT CHANGES TO PLANTING OR IRRIGATION LAYOUT PLANS AND ASSOCIATED DRAWINGS. MINOR DIMENSION OR CONSTRUCTION DETAIL CHANGES MAY NOT BE INCLUDED.

RECORD DRAWING 7-10-08

USASHADE
Fabric Structures, Inc.

8505 Chancellor Row
Dallas, Tx 75247
1 800 966 6005

Sun Ports

Offices in: Dallas, TX Austin, TX
Las Vegas, NV and Mesa, AZ

Certifications:
IAS Certification No: FA-428
Clark County Manufacturer Cert. No: 355

Customer
**Southwick Landscape
Architects**

Project
**Lorenzi Park for the
City of Las Vegas**

Location
**Las Vegas
NV**

Structure
**Multi-Level Super Span
Units 1 & 2**

Size

BID No 07-15314.01
CLV Dwg. No 650.19-47
100% CD Document
Not for construction

Drawing Description
Footings/Details

Drawing No.
700-12093

FILE / DPIC:
700-12093.dwg

Date
May 7, 2007

Drawing by: **J. Hernandez**
Checked by: **J. Margarita**

Job No
29997

Page
FS 5.0