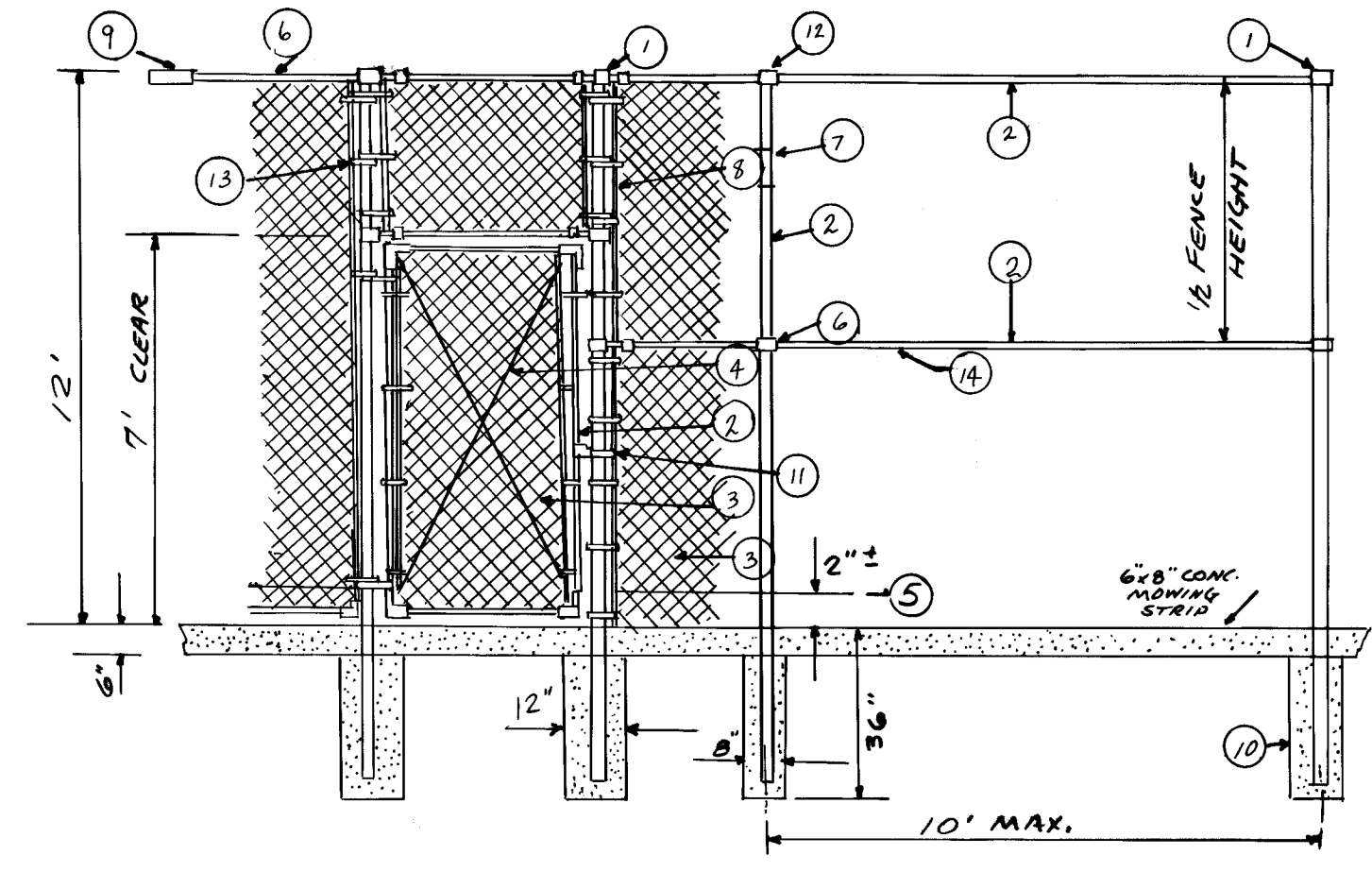


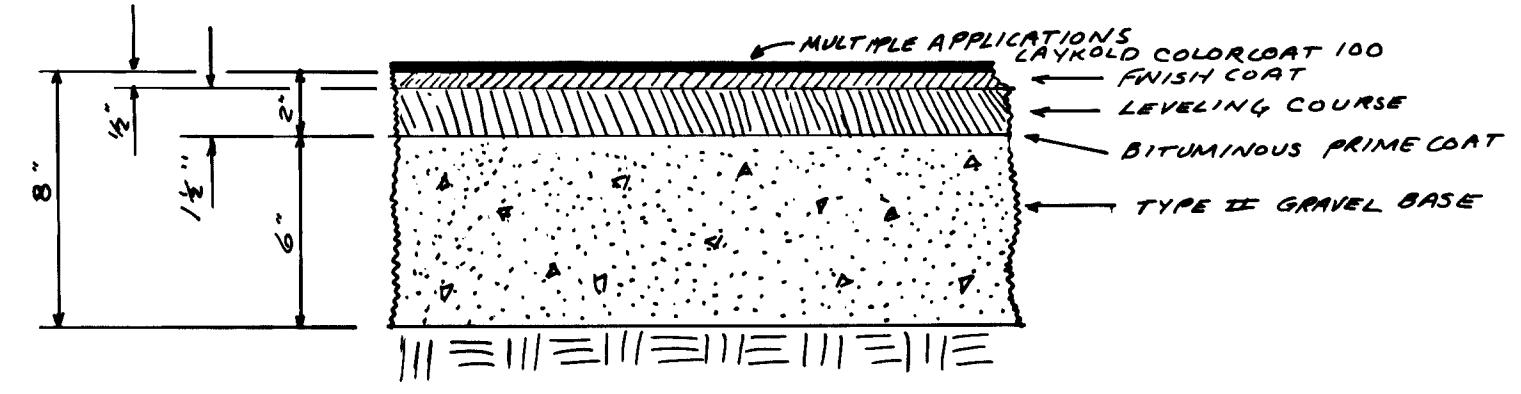
APPROXIMATE QUANTITIES - THIS SHEET

| ITEM | DESCRIPTION | UNIT | QUANTITY |
|----------|------------------------------|------|----------|
| 163.4125 | 6" PVC CONDUIT | LF | 30 |
| 302.200 | TYPE II GRAVEL BASE | CY | 384 |
| 340.114 | 4" CONCRETE SIDEWALK | SF | 6410 |
| 340.908 | 8" x 6" CONCRETE CURB | LF | 498 |
| 410.108 | 4' CHAIN LINK FENCE | LF | 39 |
| 410.124 | 12' CHAIN LINK FENCE | LF | 498 |
| 410.206 | 5' x 7' CHAINLINK GATE | EA. | 9 |
| 600.510 | GAME AREA SURFACE | SY | 1668 |
| 600.520 | BASKETBALL GOALS AND POSTS | EA | 2 |
| 600.521 | VOLLEY BALL NET & POST SET | EA | 1 |
| 600.522 | TENNIS COURT PRACTICE BOARDS | SF | 952 |
| 600.902 | GAME AREA STRIPING | LS | 15 |
| 163.4105 | 3" PVC CONDUIT | LF | 60 |

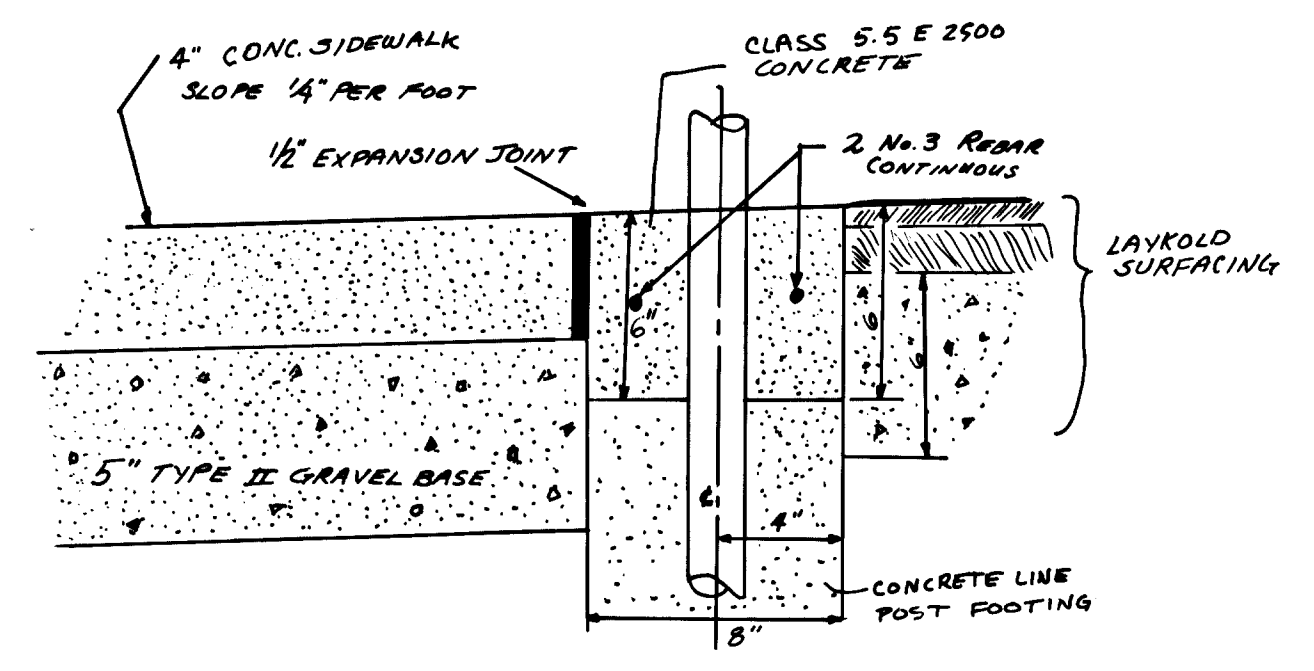


FENCE CONSTRUCTION NOTES

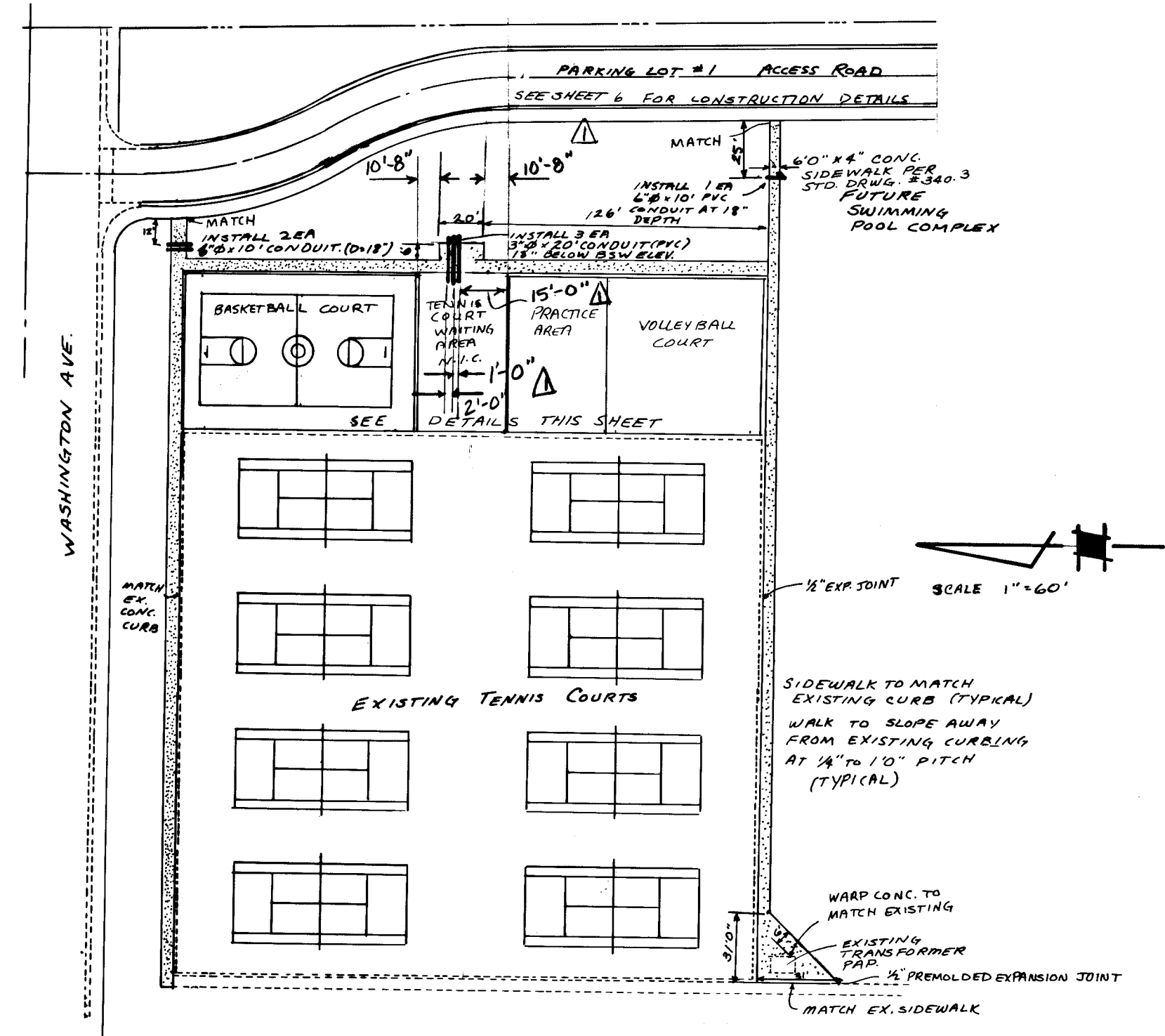
- CORNER, TENSION AND GATE POSTS TO BE 3 IN. O.D. PIPE, 5.79 LBS/FT.
- LINE POSTS, TOP RAIL, CENTER RAIL AND GATE FRAMES TO BE 1 5/8 IN. O.D. PIPE, 2.27 LBS/FT.
- CHAIN LINK FABRIC (9 GAUGE, 2 IN. MESH) TO BE INSTALLED ON COURT SIDE OF ALL POSTS.
- DIAGONAL TRUSS RODS TO BE 3/8 IN. ROUND ROD, 0.376 LBS/FT.
- TENSION WIRE TO BE 7 GAUGE COIL SPRING WIRE WITH FABRIC TIE WIRES ON 18 IN. CENTERS
- FABRIC BANDS ON 18 IN. CENTERS, HORIZONTAL BARS
- FABRIC BANDS ON 16 IN. CENTERS, VERTICAL POSTS
- STRETCHER BARS TO BE 1/4 X 3/4 IN. FLAT, 0.638 LBS/FT.
- OUTSIDE-SLEEVE-TYPE COUPLING, 7 IN. MINIMUM LENGTH, SPACED AT 20 FEET CENTERS, ONE COUPLING IN EVERY FIVE TO BE SPRING LOADED, EXPANSION TYPE COUPLING.
- CONCRETE FOOTINGS FOR ALL FENCE POSTS TO BE CLASS 5.5 E 2500.
- PEDESTRIAN GATES TO HAVE A FORK-TYPE LATCH WITH PROVISION FOR PADLOCK.
- ALL POSTS TO BE FITTED WITH ORNAMENTAL TOPS.
- STRETCHER BAR CLAMPS ON 16 IN. CENTERS, MAXIMUM SPACING BETWEEN BARS IS 100 LIN. FT. BANDS 1/8 X 3/4 IN.
- CENTER RAIL REQUIRED FOR ENTIRE LENGTH OF 12 FT. FENCE.
- LINE POSTS TO BE EQUALLY SPACED BETWEEN CORNER, TENSION AND GATE POSTS.
- ALL FENCING MATERIALS AND WORKMANSHIP SHALL CONFORM TO SECTION 410 OF THE STANDARD SPECIFICATIONS.



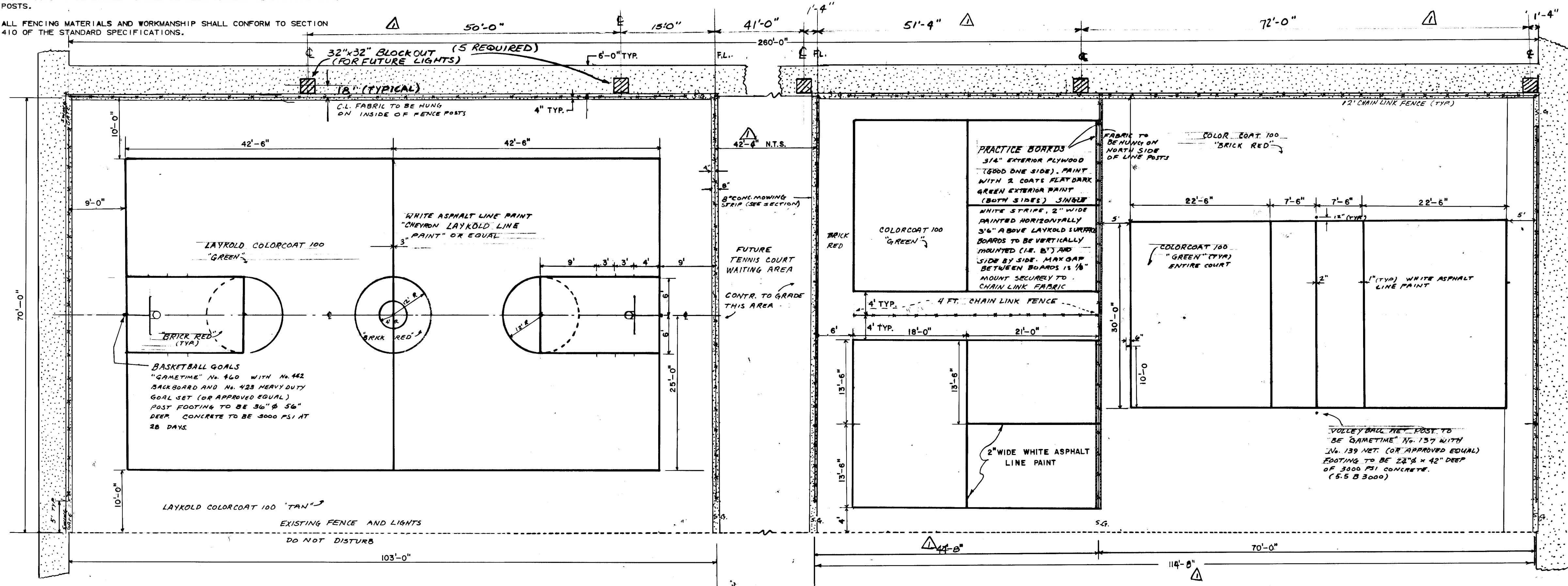
LAYKOLD SURFACING DETAIL 1"=6"



CONCRETE CURB AND SIDEWALK DETAIL 1"=6"



SIDEWALK PLAN 1"=60'



GAME AREA LAYOUT AND STRIPPING DETAIL SCALE 1"=10'

EXISTING UTILITIES ARE LOCATED ON THE PLANS FOR THE CONVENIENCE OF THE CONTRACTOR ONLY. THE CONTRACTOR SHALL BEAR FULL RESPONSIBILITY FOR PROTECTION OF UTILITIES AND THE CITY BEARS NO RESPONSIBILITY FOR UTILITIES NOT SHOWN ON THE PLANS OR NOT IN THE LOCATION INDICATED ON THE PLANS.

APPROVALS
 Al Chatham 4/12/74 DIR OF PARKS & CEMETERY DATE
 Fred Martin 4/11/74 DIR OF RECREATION DATE
 Dan K... 4-1-74 DIR OF COMM DEVELOPMENT DATE
 J. D. ... 4-12-74 CONST. DIV. ENGINEER DATE
 DEP DIR PUBLIC WORKS DATE

CONTRACT DRAWING
 APR 12 1974

| REVISION NO | DESCRIPTION | BY | DATE | APPROVED |
|-------------|---|-----|--------|-------------|
| 1 | BLOCK OUTS FOR LITES, PVC SLEEVE DIMENSIONS | JTB | 7-3-74 | [Signature] |

CITY OF LAS VEGAS NEVADA
 DEPARTMENT OF PUBLIC WORKS
 SERVICES DIVISION
 LORENZI PARK
 BASKETBALL COURT PLAN AND DETAILS

| | | | |
|--------------------------------------|------------------|-----------|---------------|
| W.O. NO. 3115 | F.B.K. NO. 73-2X | DATE | DRAWING NO. |
| SC. (H) AS NOTED | SC. (V) AS NOTED | 3/15/74 | 650.19-25 |
| DR. L. BERNHARD | | 3/23/74 | FILE NO. |
| APPROVED BY DIRECTOR OF PUBLIC WORKS | | 17 APR 74 | SHEET 9 OF 10 |

