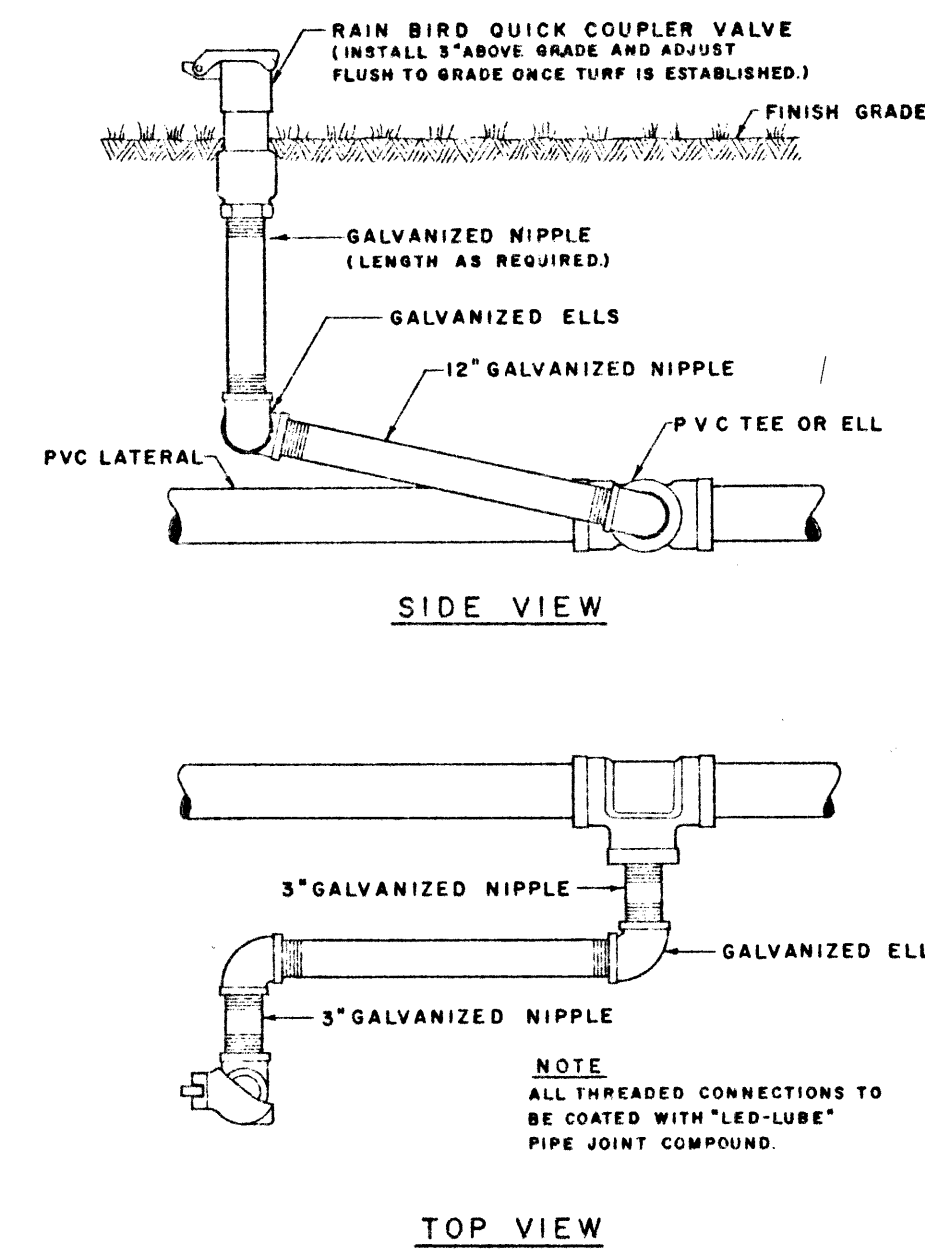
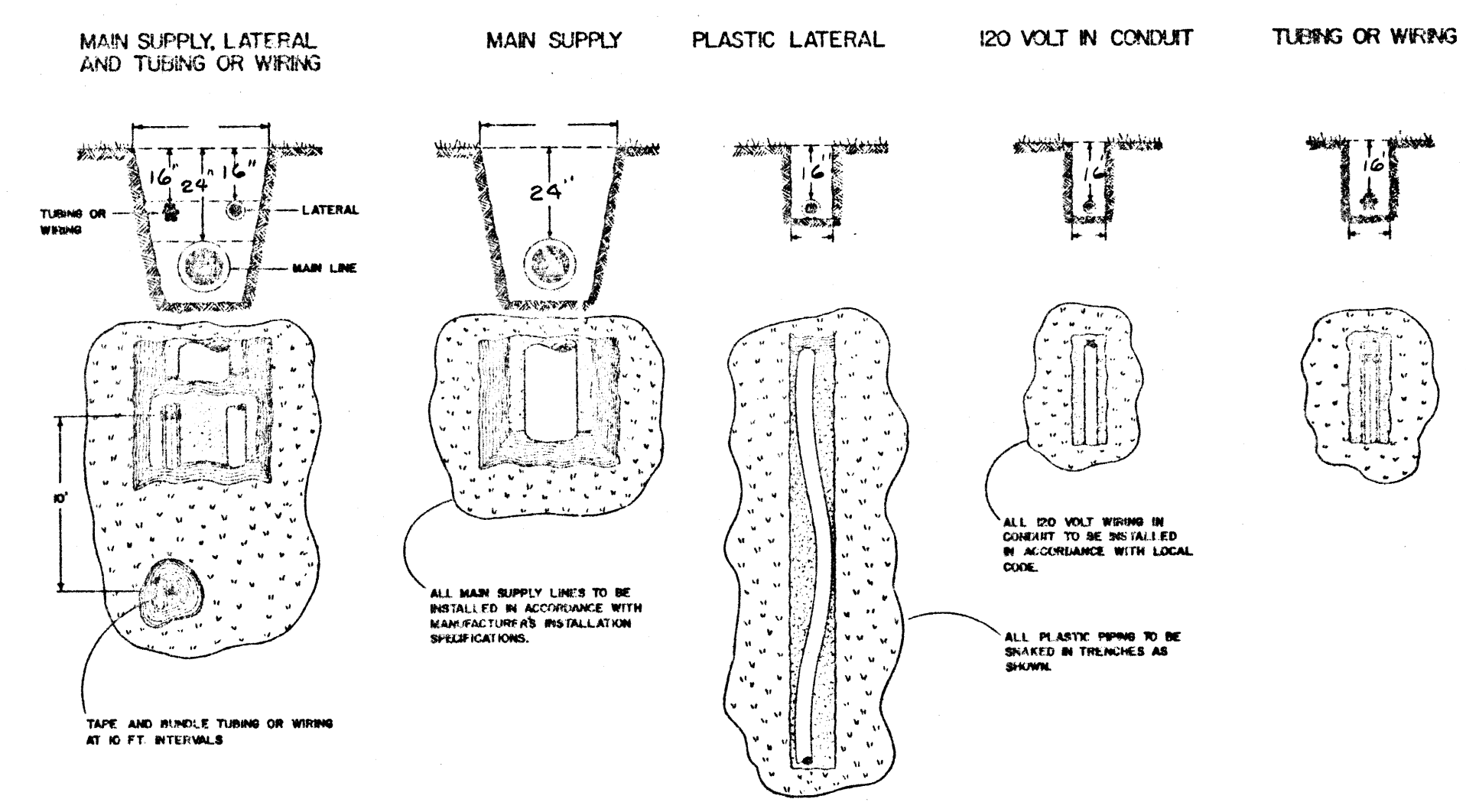


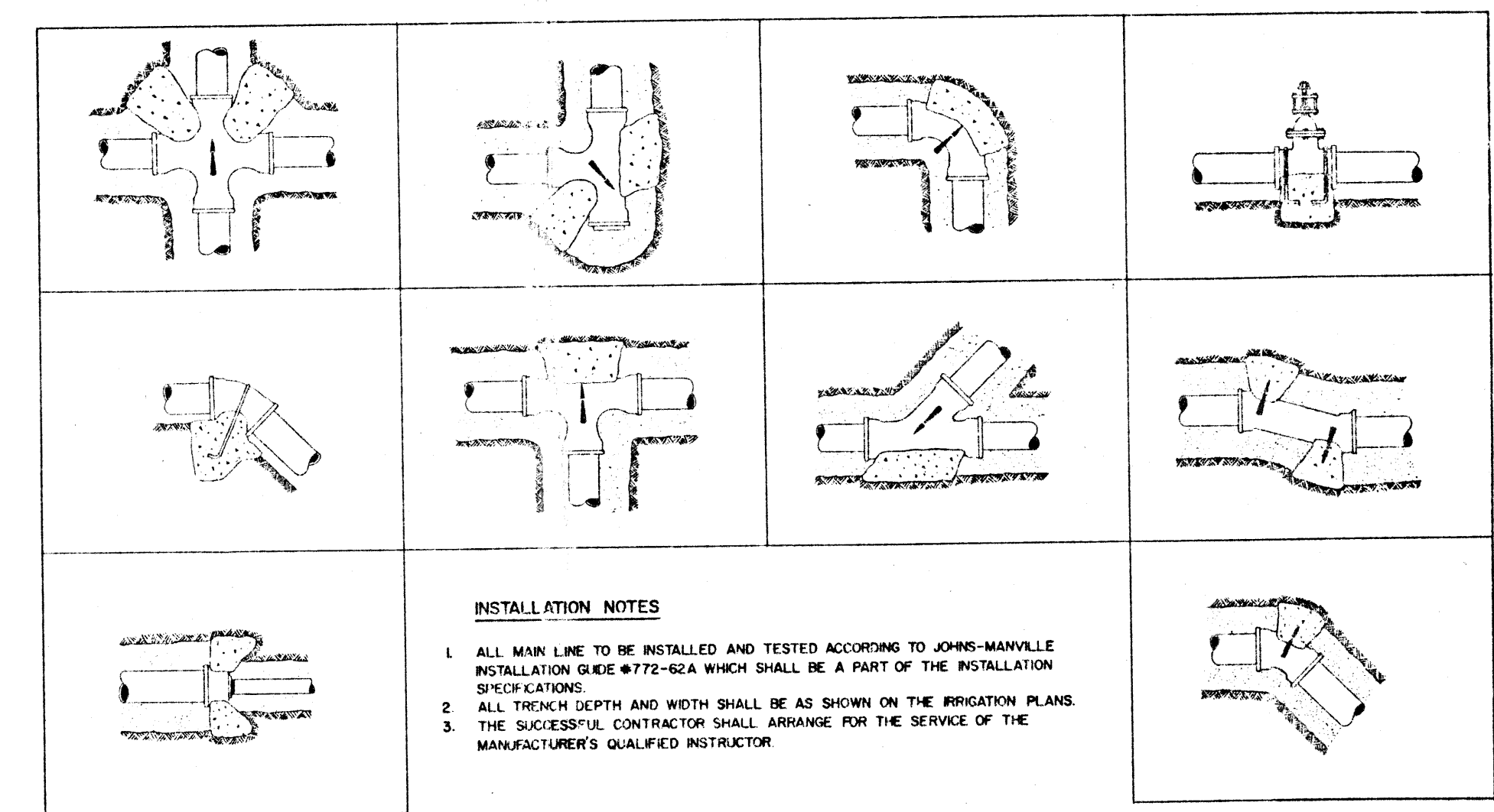
SWING JOINT RISER ASSEMBLY DETAIL
No. 24
SCHEDULE 80 RISER AND MARLEX STREET ELL



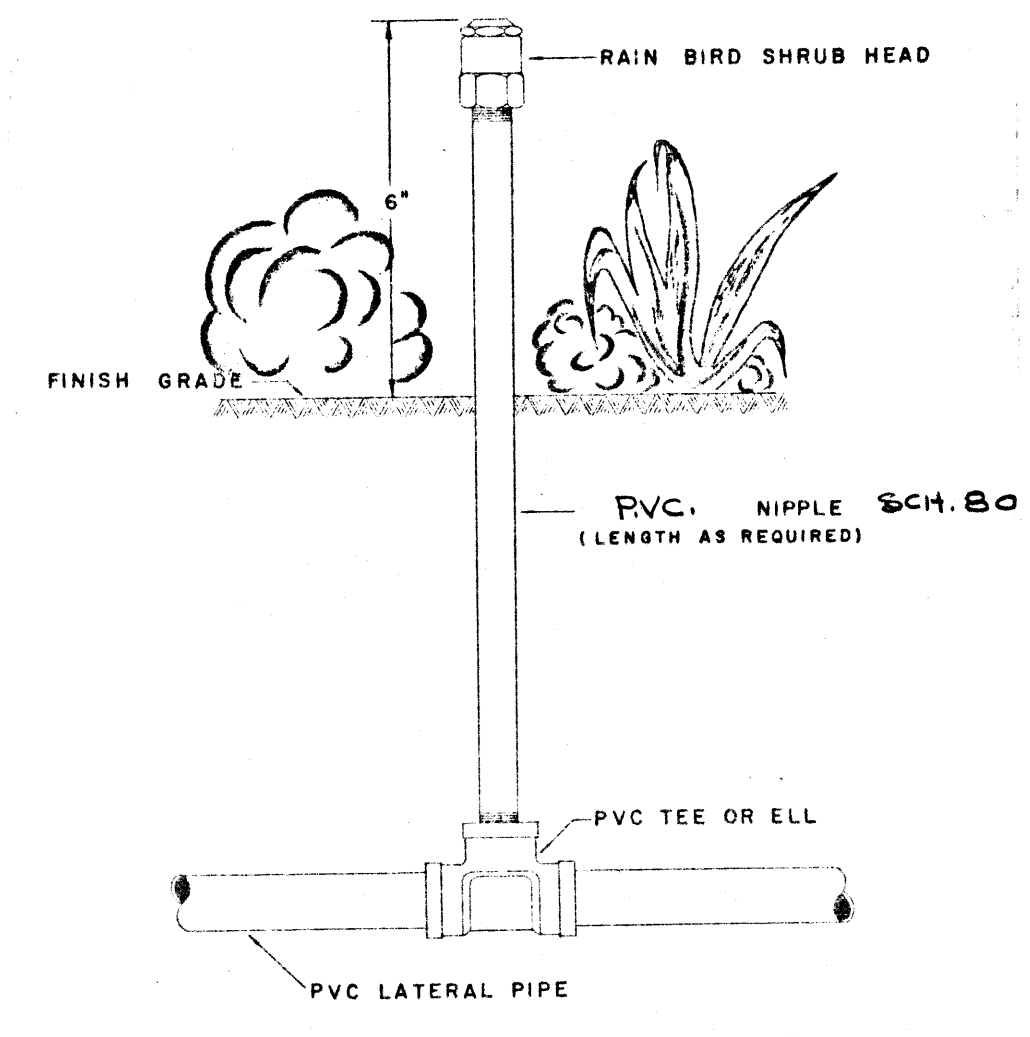
QUICK COUPLING VALVE DETAIL
No. 31



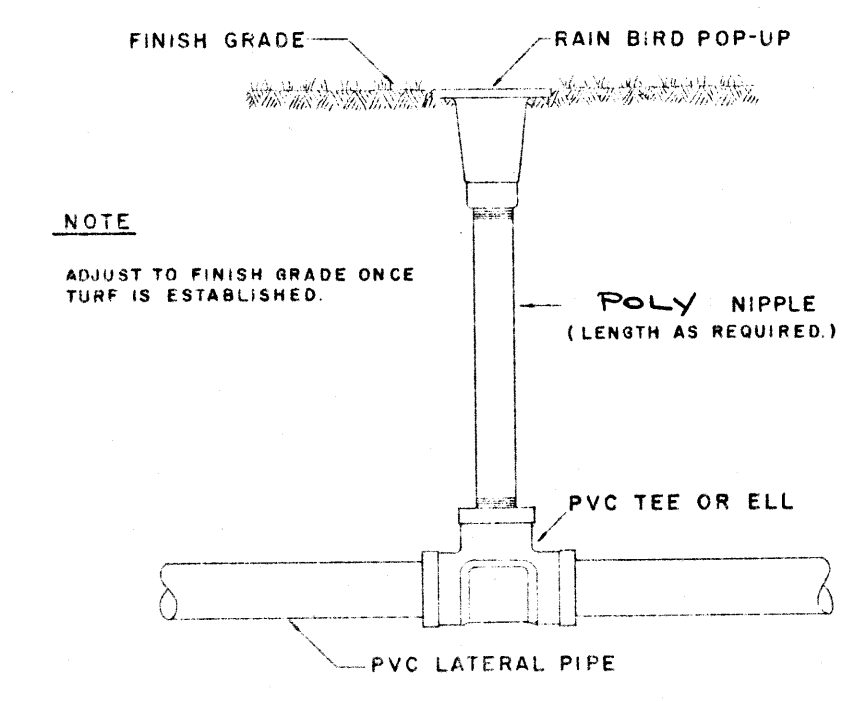
TYPICAL TRENCHING DETAIL
No. 32



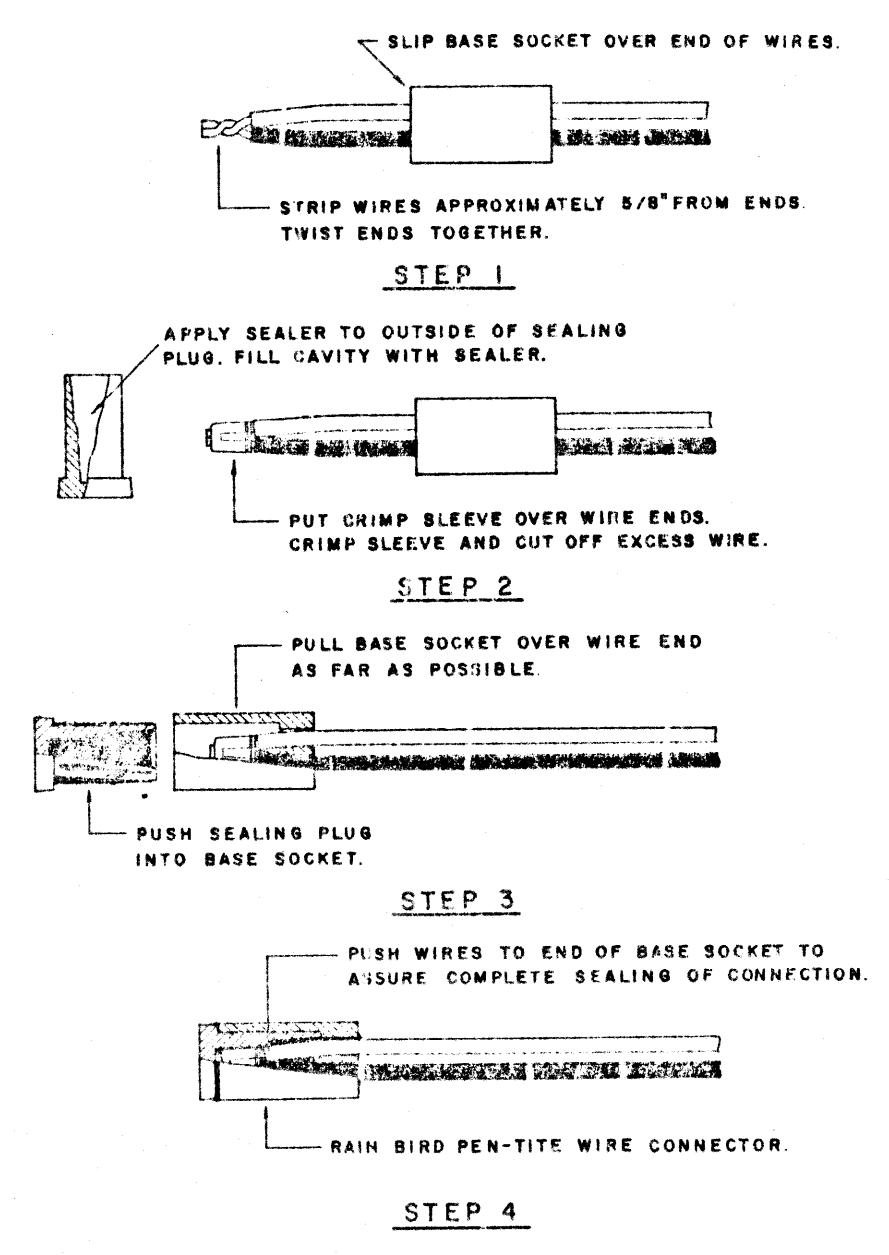
TYPICAL THRUST BLOCK DETAILS FOR RING-TITE PIPE (TRANSITE OR PVC)
No. 33



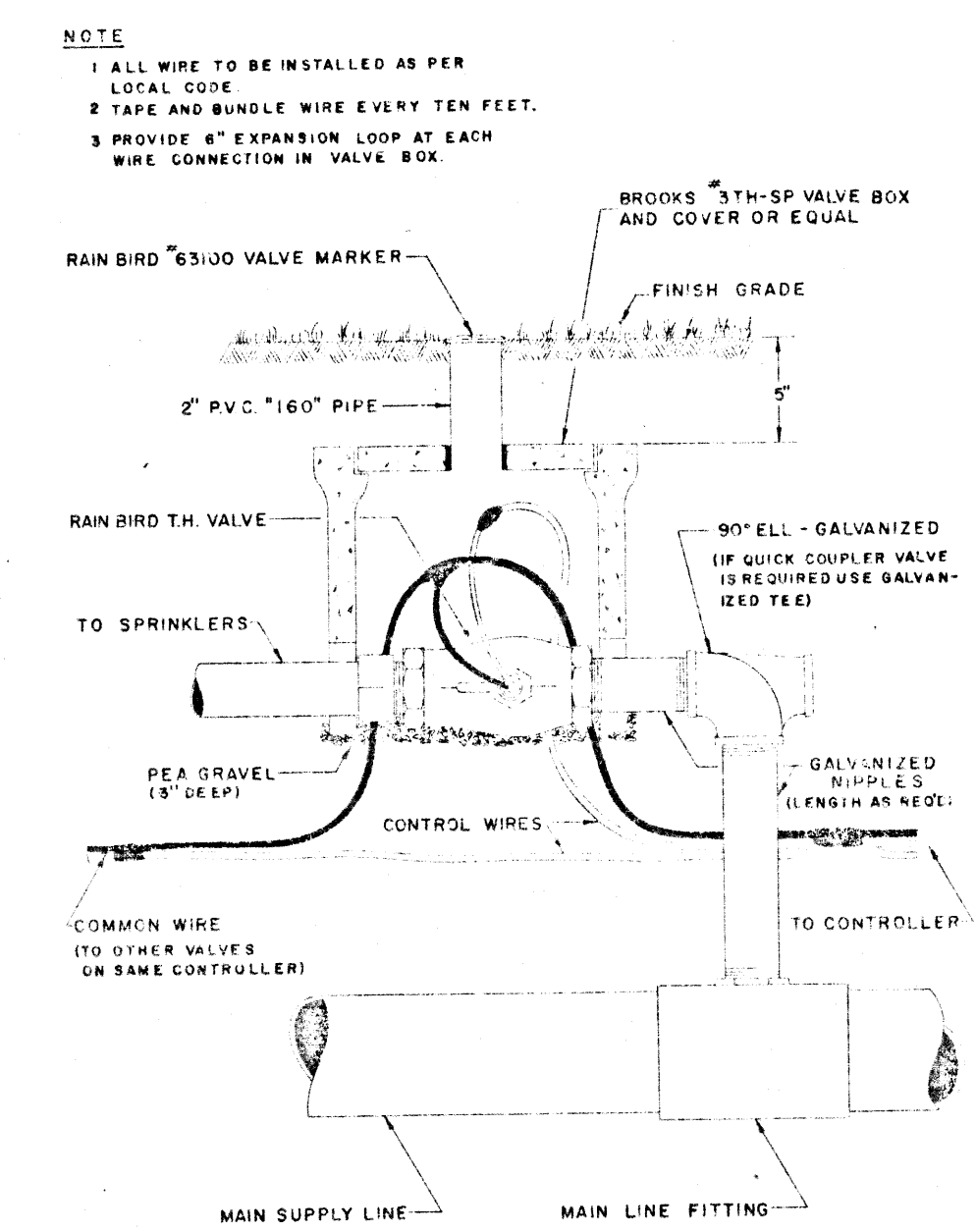
TYPICAL SHRUB HEAD DETAIL
No. 34



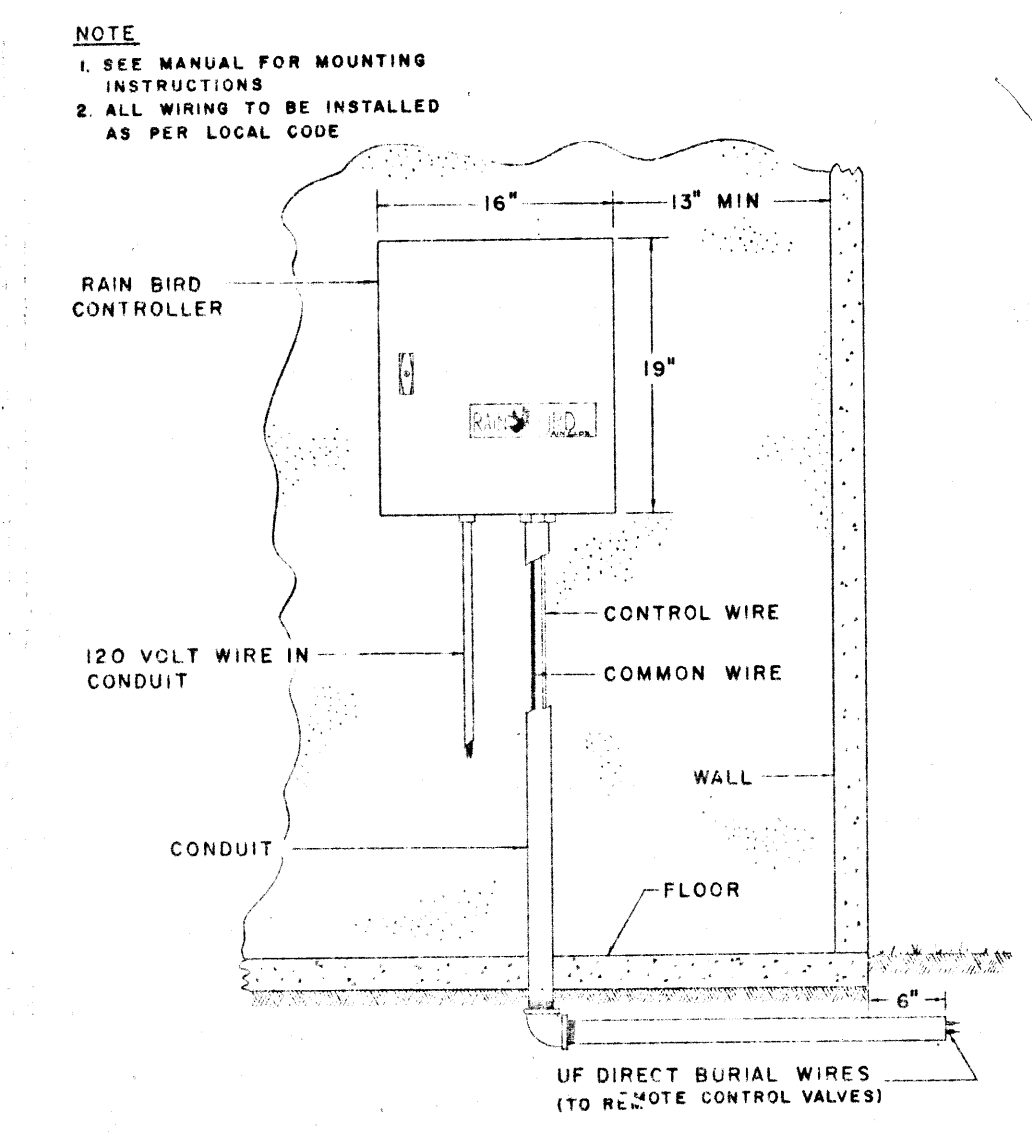
TYPICAL POP UP DETAIL
No. 36



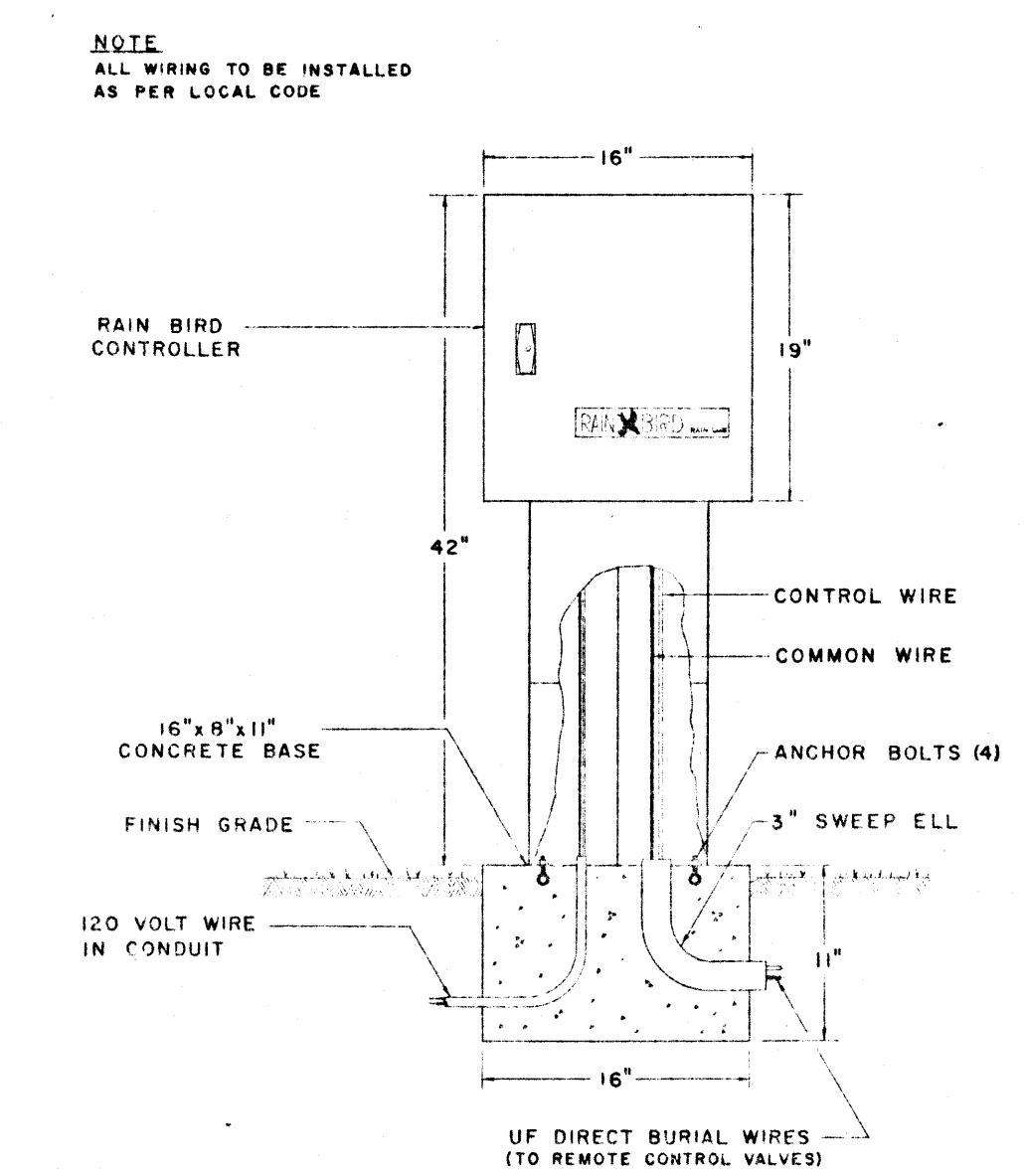
TYPICAL WIRE CONNECTION DETAIL
No. 36
(RAIN BIRD PEN-TITE WIRE CONNECTOR)



T.H. VALVE DETAIL
No. 19
(WITH VALVE BOX & MARKER)

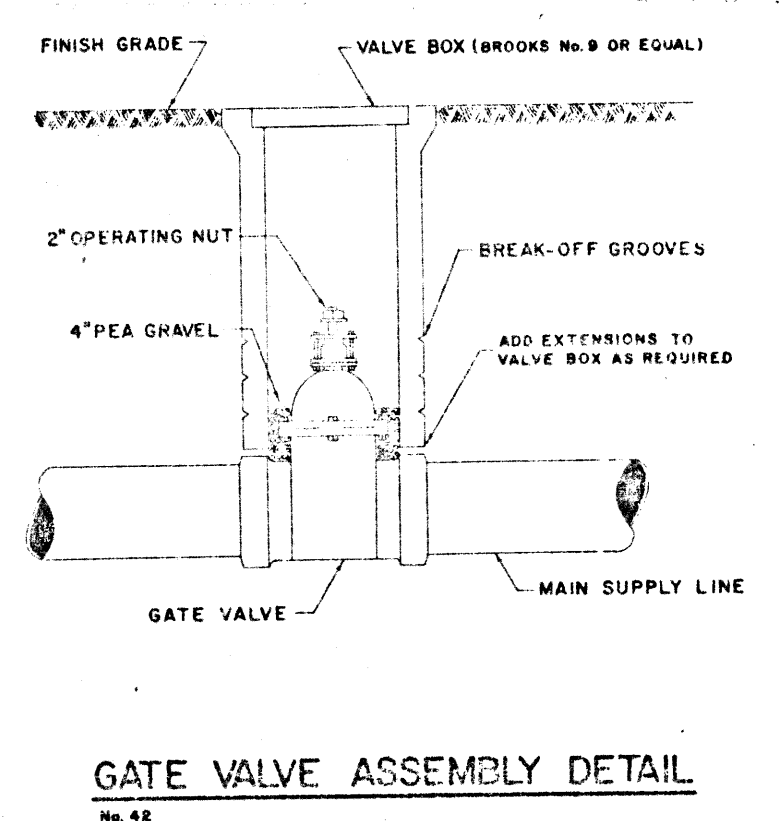


RC 12-7-83 CONTROLLER DETAIL
No. 6
(ELECTRIC WALL MOUNT)



RC 12-19-83 CONTROLLER DETAIL
No. 7
(ELECTRIC PEDESTAL MOUNT)

- LEGEND**
- ▽ = RAINBIRD #2800-Q POP-UP SPRAY HEAD
 - ▽ = RAINBIRD #2800-T POP-UP SPRAY HEAD
 - ▽ = RAINBIRD #2800-H POP-UP SPRAY HEAD
 - = RAINBIRD #2800-F POP-UP SPRAY HEAD
 - = RAINBIRD #51-VC ROTOR POP-UP 1/2" x 1/64" NOZZLE 20.6 GPM @ 65 PSI, 125 FT. DIA.
 - = RAINBIRD #31-VC ROTOR POP-UP 7/32" DIA. NOZZLE 10.8 GPM @ 65 PSI, 95 FT. DIA.
 - ▽ = RAINBIRD #47-VC ROTOR POP-UP 1/4" NOZZLE 14.6 GPM @ 65 PSI, 57 FT. RAD.
 - ⊕ = RAINBIRD #44-LVC QUICK COUPLING VALVE
 - ⊕ = RAINBIRD #T.H. SERIES VALVE, SIZE AS INDICATED
 - ⊕ = CONTROLLER AND STATION NUMBER.
 - ▽ = RAINBIRD #2400-T SHRUB SPRAY
 - ▽ = RAINBIRD #2400-H SHRUB SPRAY
 - = RAINBIRD #2900-F SHRUB SPRAY
 - ⊕ = MANUAL CONTROL VALVE FOR Q.C. SHUT OFF @ BALL DIAMONDS
 - = ALL PRESSURE MAIN LINE TO BE CLASS 200 BELL-RING PVC PIPE (ETHYL CORP)
 - = ALL NON PRESSURE LATERAL LINE TO BE CLASS 315 PVC, SOLVENT WELD PIPE
 - = CONDUIT FOR WIRES AND LATERALS TO BE PVC SCH. 40 SOLVENT WELD PIPE
 - = ALL FITTINGS TO BE SCH. 40 AS MFG. BY SLOANE MFG. CO.
 - ⊕ = RAINBIRD RC-12-P CONTROLLER
 - ⊕ = GATE VALVE
 - ⊕ = PUMP SEE NOTE 7



GATE VALVE ASSEMBLY DETAIL
No. 42

- NOTES**
1. ALL PIPE TO BE INSTALLED AS PER MANUFACTURERS SPECIFICATIONS.
 2. ALL LINES TO BE THOROUGHLY FLUSHED BEFORE INSTALLATION OF HEADS.
 3. EACH CONTROL VALVE TO BE INSTALLED IN BROOKS NO. 3 T.H. SP VALVE BOX OR EQUAL.
 4. EACH CONTROLLER TO HAVE SEPARATE COMMON RETURN WIRE
 5. ALL WIRES TO VALVES TO BE NO. 14-UF 600 VOLT TEST DIRECT BURIAL WIRE
 6. ALL WIRE CONNECTIONS TO BE RAINBIRD PEN-TITE
 7. CONTRACTOR TO PROVIDE PUMP CAPABLE OF DELIVERING 1400 G.P.M. @ 95 PSI.

- OPERATION**
1. OPERATE ALL 12 CONTROLLERS AT SAME TIME
 2. OPERATE ROTOR POP-UP STATIONS 50 MINUTES PER NIGHT, LAWN & SHRUB STATIONS 20 MINUTES PER NIGHT TO APPLY 3.0" WATER PER WEEK.
 3. TOTAL TIME REQUIRED PER NIGHT = 10 HOURS.

CONTRACT DRAWING
SEP 8 1970

PHASE 2 27-00014
PHASE 1 NEV-OSD-7

CITY OF LAS VEGAS NEVADA
DEPARTMENT OF PUBLIC WORKS
SERVICES DIVISION

LORENZI PARK
IRRIGATION - RAINBIRD INSTALLATION

W.O. NO. 3111	FEK NO.	DATE	DRAWING NO.
SC (N) NOT TO SCALE (S.C.V.)			650-19-15
DES. RAINBIRD ENGR			FILE NO.
DR. RAINBIRD ENGR			
APPROVED BY DIRECTOR OF PUBLIC WORKS			
<i>R. D. Hauer</i>			SHEET 22 OF 23