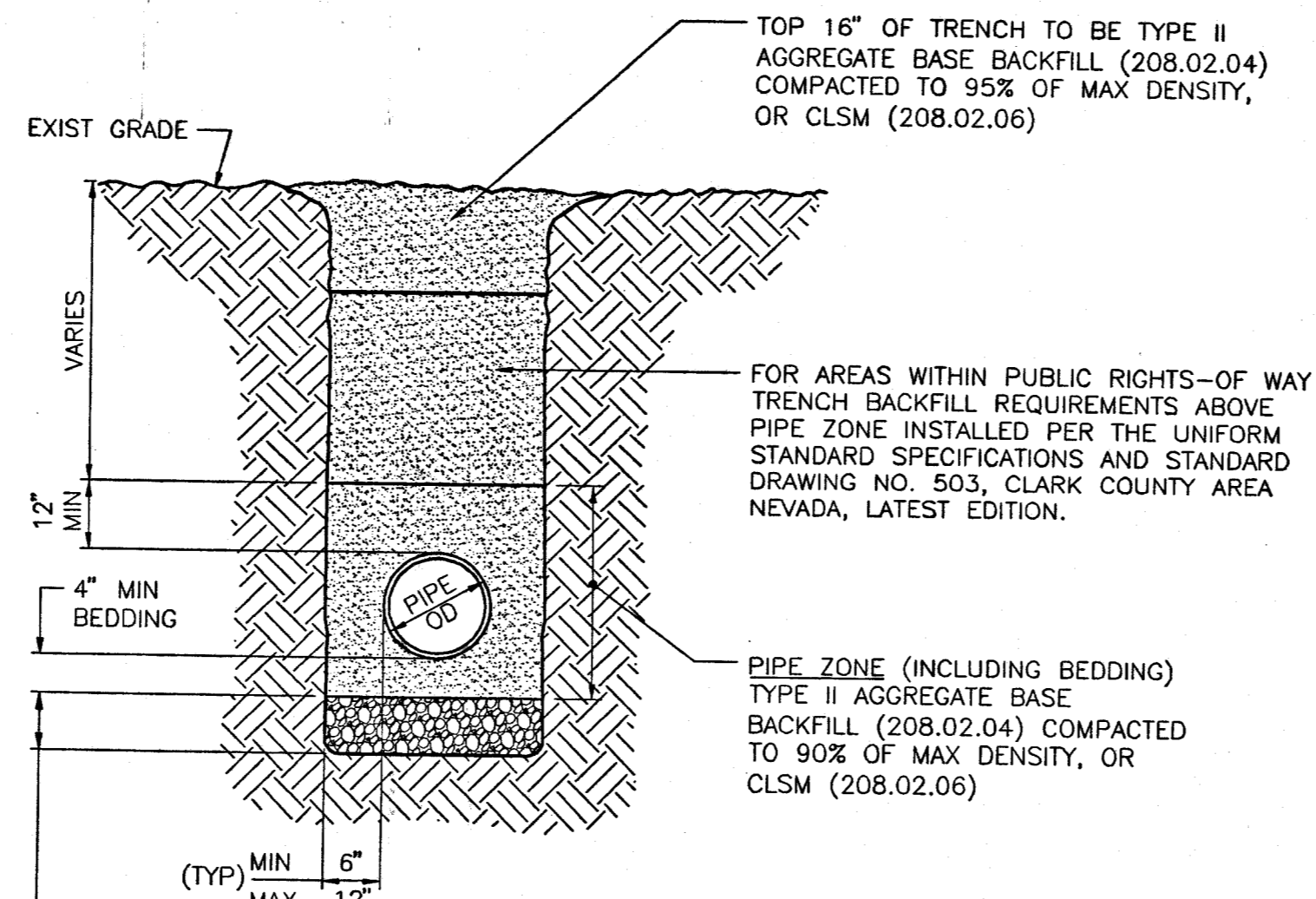


TRENCH BACKFILL - PAVED AREAS
(STREETS WITH 60' OR LESS R/W)

NOT TO SCALE

1



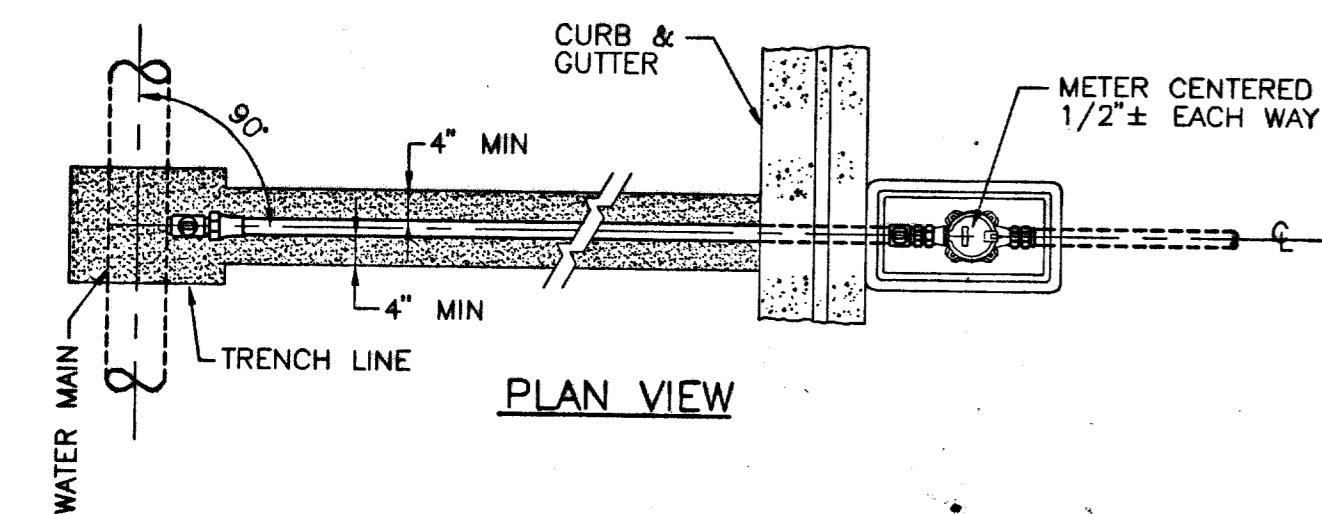
TRENCH BACKFILL - UNPAVED AREAS

NOT TO SCALE

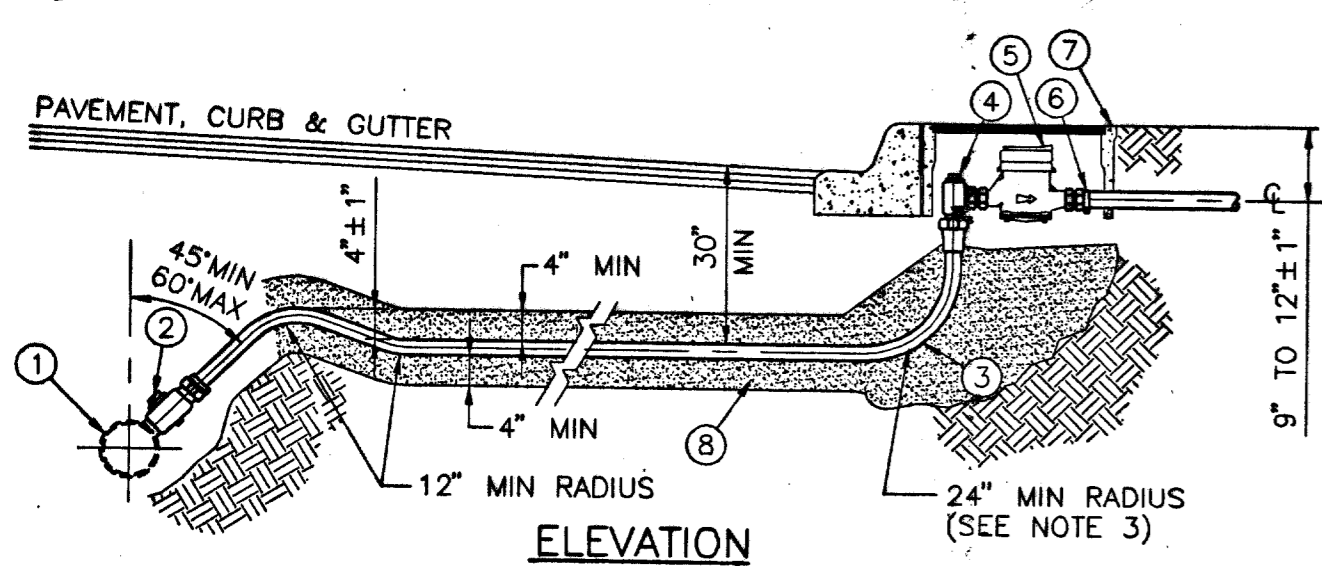
2

NOTES FOR PAVED AND UNPAVED AREAS

- REFERENCES:
UNIFORM STANDARD SPECIFICATIONS FOR PUBLIC WORKS CONSTRUCTION OFF-SITE IMPROVEMENTS CLARK COUNTY AREA NEVADA, LATEST EDITION.
INTERAGENCY QUALITY ASSURANCE COMMITTEE (IQAC)
- SEE SPECS SEC 02300 FOR ACCEPTABLE METHODS OF COMPACTION
- TRENCH EXCAVATION: COMPLY WITH THE CURRENT REGULATIONS AS DETERMINED BY NEVADA OCCUPATIONAL SAFETY AND HEALTH ADMINISTRATION.
- DURING CONSTRUCTION 24" MINIMUM COVER MUST BE MAINTAINED FROM TOP OF PIPE TO GRADE.
- MINIMUM COVER IS REFERENCED TO FUTURE FINISHED FINAL GRADES UNLESS OTHERWISE SHOWN ON PROFILE DRAWINGS.
- SUPPORT PIPE WITH SANDBAGS AND SPOT LOAD PIPE AS REQUIRED DURING INSTALLATION OF CLSM IN PIPE ZONE AND PIPE BEDDING AREAS.



PLAN VIEW



ELEVATION

NOTES

- ONE ADDITIONAL FLARED COUPLING, OR COMPRESSION COUPLING IS ALLOWED BETWEEN THE CORPORATION STOP, AND THE ANGLE METER STOP IF THE TOTAL LATERAL LENGTH IS GREATER THAN 40'.
- CUL-DE-SAC SERVICE LATERALS MUST FOLLOW THE MOST DIRECT ROUTE POSSIBLE BETWEEN SERVICE SADDLE AND ANGLE METER STOP, HORIZONTAL BENDING RADIUS ALLOWED FOR 3/4" AND 1" TUBING IS 12" MIN. AND 24" MIN. FOR 1-1/2" AND 2" TUBING, MAXIMUM DEFLECTION ANGLE ALLOWED IS 90'.
- IF A 24" MIN. RADIUS CAN NOT BE MAINTAINED AN APPROPRIATE SIZE 90° COMPRESSION OR FLARED CONNECTION SHOULD BE USED.
- FLUSH LATERAL PRIOR TO SETTING METER.
- INSTALL SAND BACKFILL AROUND WATER SERVICE LATERAL PRIOR TO INSTALLATION OF TRENCH BACKFILL WHEN FLOWABLE BACKFILL OPTION IS USED OR REQUIRED.
- WHEN INSTALLED BY OPEN CUT EXCAVATION ALL COPPER TUBING SHALL BE WRAPPED WITH TWO LAYERS OF SIX (6) MIL POLYETHYLENE AND BACKFILLED ALL AROUND WITH 4" MINIMUM OF SAND.
- SEE LWWD APPROVED PRODUCTS MASTER LISTING AND SPECIFICATIONS FOR ALL MATERIALS AND PRODUCTS (TYP).
- FOR ADDITIONAL TRENCH BACKFILL AND PAVEMENT REQUIREMENTS SEE 1 AND 2

LEGEND

- EXISTING OR NEW SERVICE SADDLE
- EXISTING OR NEW CORPORATION STOP. INSTALL POLYETHYLENE x COPPER ADAPTER AT CONNECTION WITH EXISTING CORPORATION STOP (AT EXISTING CORPORATION STOPS ONLY).
- SERVICE LATERAL. SIZE TO MATCH METER (3/4" MIN)
- BALL ANGLE METER STOP TO MATCH METER SIZE (3/4" x 3/4" MIN) WITH LOCK WING AND WITHOUT LEVER HANDLE.
- EXISTING DISPLACEMENT TYPE WATER METER.
- EXISTING TAIL PIECE COUPLING.
- EXISTING METER BOX. REPLACE WITH NEW BOX IF BROKEN OR DAMAGED. CONTRACTOR TO SUBMIT METER BOX SHOP DRAWINGS FOR APPROVAL.
- SAND BACKFILL FULL WIDTH OF TRENCH

SERVICE INSTALLATION WITH SINGLE ANGLE METER STOP
FOR 5/8", 3/4", 1", 1-1/2", AND 2" METER SIZES

NOT TO SCALE

3

LAS VEGAS VALLEY WATER DISTRICT
1001 S. VALLEY VIEW BOULEVARD
LAS VEGAS, NEVADA 89163
(702) 870-8001



VERIFY SCALE

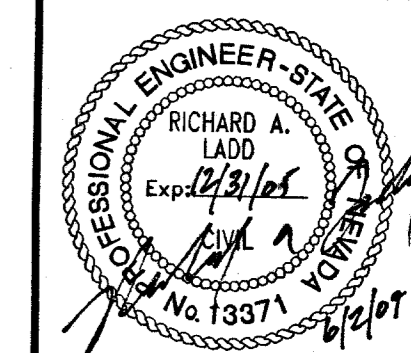


POLYETHYLENE SERVICE REPLACEMENT,
TORREY PINES VILLAGE

STANDARD DETAILS 1

SCALE
NONE

DRAWN BY: STEPHEN D. MILLER	8/12/03
CHECKED BY: RICHARD A. LADD	8/12/03
RECOMMENDED BY: MICHAEL P. REAGO	DATE
ACCEPTED BY: PETER J. JAUCH	DATE



CONTRACT NUMBER

C115

DRAWING NUMBER CD1
SHEET 5 OF 7

Avoid cutting underground utility lines. It's costly.
Call before you Dig
1-800-227-2600

70314