

Call before you Dig  
1-800-227-2600

Call before you Overhead  
1-702-593-6111

**REDUCED PRESSURE PRINCIPLE ASSEMBLY 1"**

APPROVED REDUCED PRESSURE PRINCIPLE ASSEMBLY(S) SHALL BE INSTALLED PER THE UDACS PLATE NO. 11A. NO WATER SHALL BE TAKEN FROM A SERVICE REQUIRING BACKFLOW PREVENTION UNTIL THE REDUCED PRESSURE PRINCIPLE ASSEMBLY HAS BEEN SUCCESSFULLY TESTED BY THE LVVWD.

ANY BLOCK WALL OR OTHER FENCE MATERIAL SHALL BE DESIGNED AND CONSTRUCTED AROUND THE OUTSIDE OF THE EASEMENT(S) TO ALLOW THE DISTRICT DIRECT ACCESS FROM THE ADJACENT RIGHT-OF-WAY.

**STREETLIGHT NOTE:**

THIS PROJECT WILL UTILIZE GAS LAMPS IN LIEU OF STANDARD STREETLIGHTS ALONG THE PRIVATE STREETS. THESE GAS LAMPS ARE SHOWN ON THE S.W.G. PLANS ONLY.

**NOTE:**

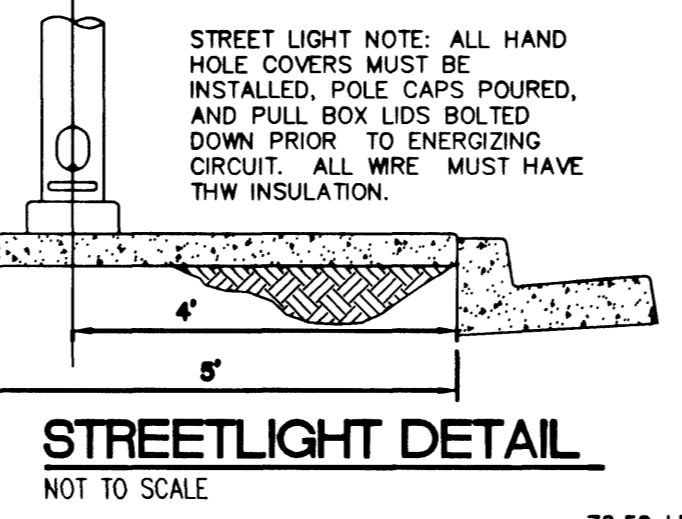
PRIVATE STREETS ARE P.U.E.'S, PUBLIC DRAINAGE EASEMENTS AND CLV SEWER EASEMENTS TO BE PRIVATELY MAINTAINED.

**\*STREETLIGHT NOTE:**

STREET LIGHT ARE ONLY REQUIRED ON ONE SIDE OF A 60'/51' R/W. IF STREET LIGHTS ON THE NORTH SIDE OF THE STREET ARE NOT INSTALLED AT THE TIME OF CONSTRUCTION, THE STREET LIGHTS ON THE SOUTH SIDE OF THE STREET WILL BE REQUIRED TO BE INSTALLED ON THIS DESIGN FOR STANGE AVENUE.

**SIGNAGE NOTES**

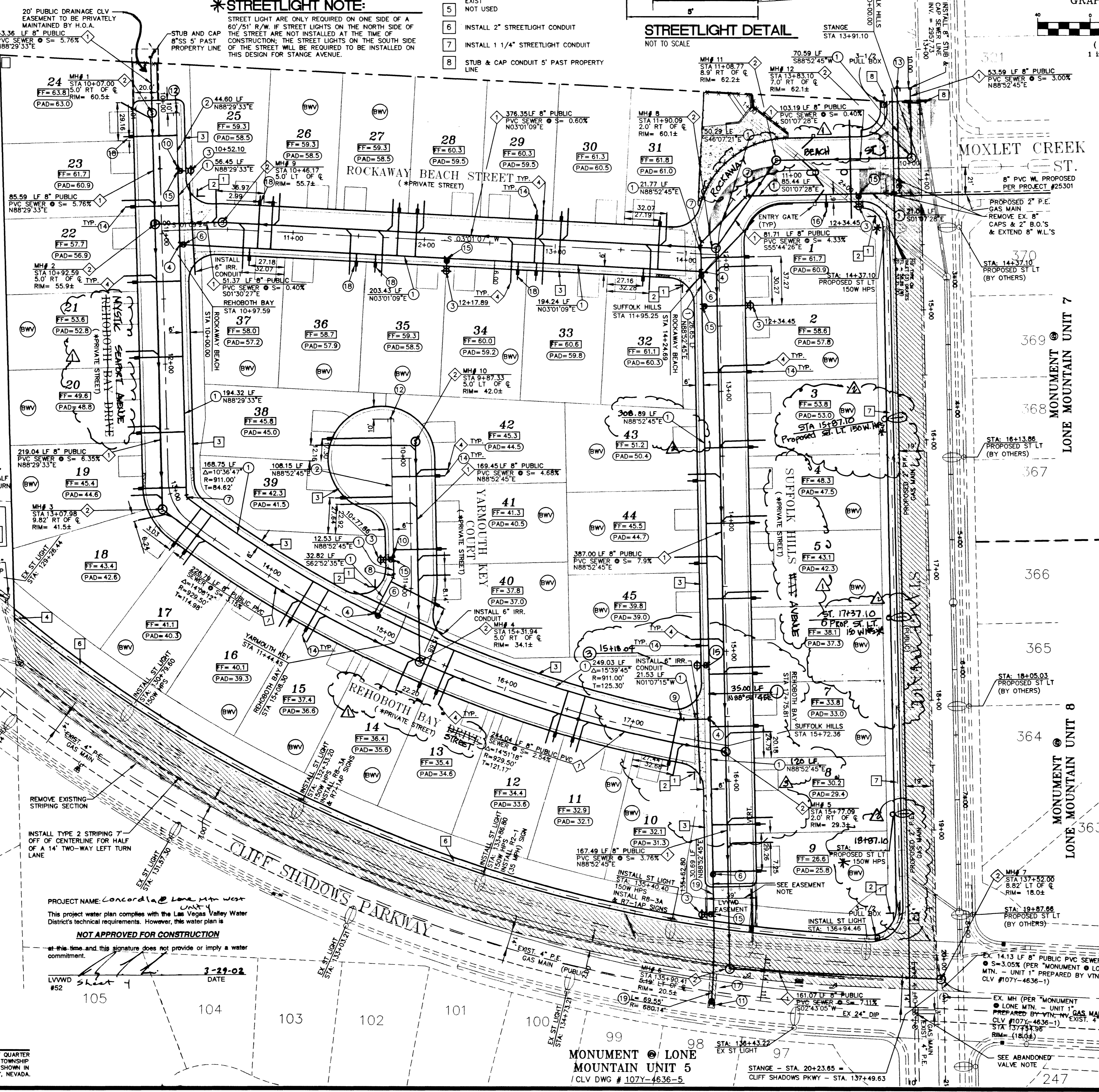
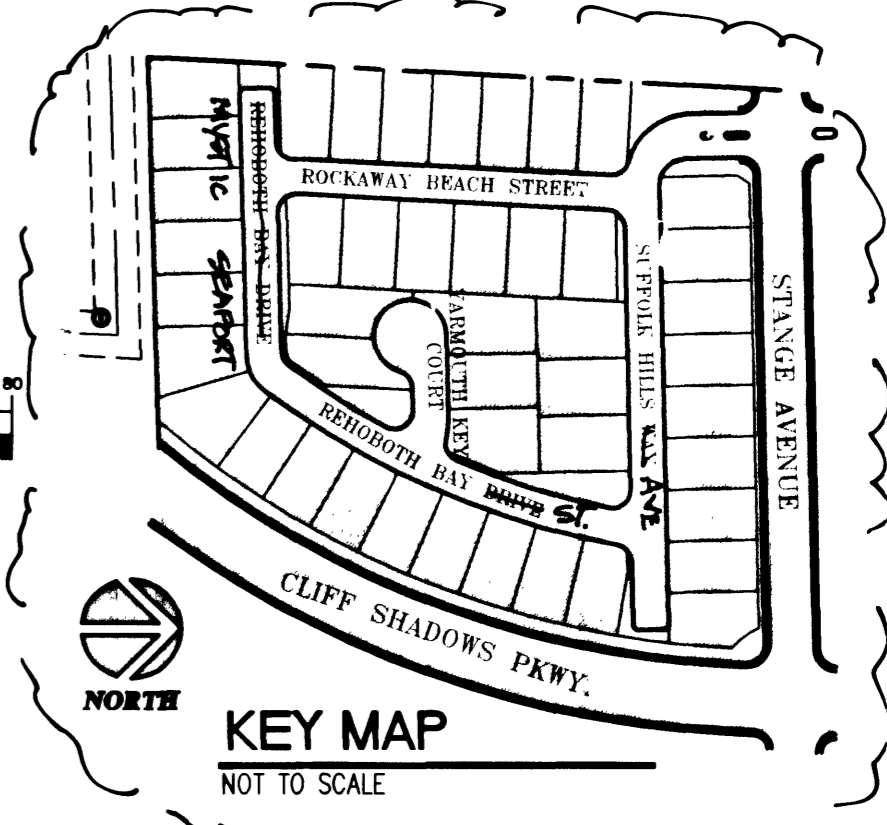
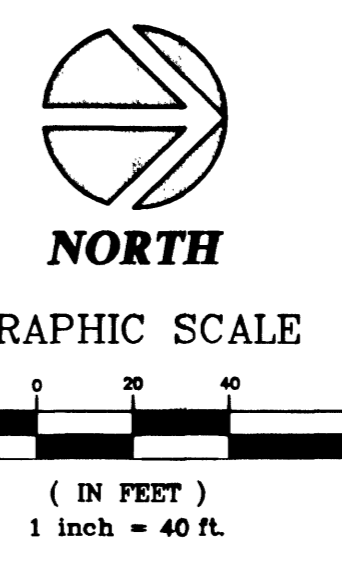
1. INSTALL 30" X 30" R1-1 (STOP SIGN) UNLESS NOTED OTHERWISE
2. INSTALL STREET NAME SIGN PER CLARK COUNTY AREA STANDARD DWG NO. 250
3. PAINT CURBING RED FOR FIRE ACCESS LANE
4. REMOVE EXISTING CAP AND TIE INTO CAP STREETLIGHT CONDUIT OR STUB AND CAP IF STREET LIGHT DOES NOT CONDUIT DOES NOT EXIST
5. NOT USED
6. INSTALL 2" STREETLIGHT CONDUIT
7. INSTALL 1 1/4" STREETLIGHT CONDUIT
8. STUB & CAP CONDUIT 5' PAST PROPERTY LINE



**NOTE**

ALL DIMENSIONS TO UTILITIES ARE TO CENTERLINE OF PIPE UNLESS INDICATED OTHERWISE.

CONTRACTOR SHALL VERIFY HORIZONTAL AND VERTICAL ALIGNMENT OF EXISTING UTILITIES AND NOTIFY THE DESIGN ENGINEER IMMEDIATELY OF ANY DISCREPANCIES PRIOR TO CONSTRUCTION.



**WATER CONSTRUCTION NOTES**

1. INSTALL 8" PVC WATER LINE
2. INSTALL 6" PVC WATER LINE
3. INSTALL FIRE HYDRANT ASSEMBLY PER UNIFORM DESIGN AND CONSTRUCTION STANDARDS FOR WATER DISTRIBUTION SYSTEMS (UDS) PLATE NO. 7, AND THE LOCATION SHALL BE DETERMINED BY CLARK COUNTY AREA STD. DWG. 516 VALVES SHALL NOT BE LOCATED IN STREET VALLEY GUTTERS OR WITHIN PROPOSED CURB & GUTTER LOCATIONS.
4. INSTALL 8" TEE
5. INSTALL 8" - 90° ELBOW
6. INSTALL 8" GATE VALVE. VALVES SHALL NOT BE LOCATED IN STREET VALLEY GUTTERS OR WITHIN THE PROPOSED CURB & GUTTER LOCATIONS.
7. INSTALL 8" - 45° BEND
8. INSTALL 8" - 22.5° BEND
9. INSTALL 8" - 11.25° BEND
10. INSTALL 8" X 8" TAPPING SLEEVE AND 8" TAPPING VALVE
11. 24" X 8" BLOWOFF ASSEMBLY (PER U.D.A.C.S. STD. PLATE NO. 4)
12. 8" CAP W/ 2" BLOWOFF ASSEMBLY (PER U.D.A.C.S. STD. PLATE NO. 4)
13. 8" CAP W/ 2" BLOWOFF ASSEMBLY (PER U.D.A.C.S. STD. PLATE NO. 4)
14. 5/8" WATER METER W/ 1" SERVICE LATERAL (PER U.D.A.C.S. STD. PLATE NO. 18)
15. INSTALL 8" X 6" TEE
16. 3/4" WATER METER W/ 1" SERVICE LATERAL W/ 1" RPPA (PER U.D.A.C.S. STD. PLATE NO. 11 & 11A)
17. SANITARY & REPLACE EXISTING A.C. PAVEMENT FOR WATER MAIN (PER U.D.A.C.S. PLATE NO. 6C & U.S.D. NO. 504)
18. 3/4" W/M W/ 1" SERVICE LATERAL PER UDACS PLATE 18
19. INSTALL 8" DP WATER LINE

**FIRE DEPARTMENT APPROVAL**

APPROVAL BY THE FIRE DEPARTMENT HAVING JURISDICTION IS REQUIRED PRIOR TO OBTAINING FINAL APPROVAL FROM THE LVVWD.

**LAS VEGAS FIRE DEPARTMENT**

FIRE FLOW IS 1500 GPM AT 20 PSI RESIDUAL PRESSURE.

BASED ON:  
 SQUARE FOOTAGE: ..... 3,600 S.F. (MAX)  
 BUILDING HEIGHT: ..... 24' (MAX)  
 NUMBER OF STORIES: ..... 2 (MAX)  
 OCCUPANCY: ..... SINGLE FAMILY  
 FULL AUTOMATIC FIRE SPRINKLERS: ..... NO

REVIEWED BY: *[Signature]* DATE: 5/17/02

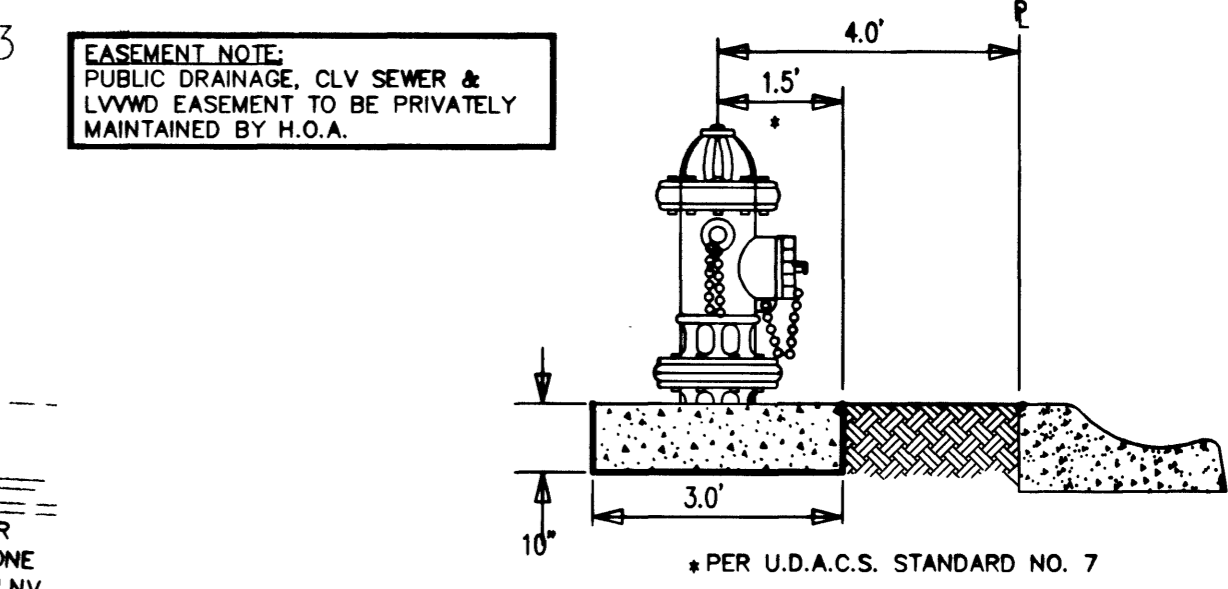
**SEWER CONSTRUCTION NOTES**

1. INSTALL 8" SEWER MAIN. TRENCH SECTION BACKFILL PER D.C.S.W.C.S. NO. 50-16
2. INSTALL 48" SANITARY SEWER MANHOLE PER DESIGN AND CONSTRUCTION STANDARDS FOR WASTEWATER COLLECTION SYSTEMS PLATE 50-1
3. REMOVE CAP & CONNECT TO EX. 8" STUB
4. INSTALL 4" SEWER LATERAL W/ 4" WYE. LOCATION PER TYPICAL LOT DETAIL "A" ON SHEET D2. UNLESS NOTED OTHERWISE
5. INSTALL 8" CAP

ABANDONED VALVE NOTE:  
 ALL ABANDONED VALVES SHALL BE ABANDONED IN THE CLOSED POSITION UNLESS SHOWN OTHERWISE. BY REMOVING A MINIMUM OF THE TOP 12" OF THE VALVE BOX AND FILLING THE REMAINING PORTION OF THE VALVE BOX WITH CONCRETE HAVING A COMPRESSIVE STRENGTH OF AT LEAST 2,000 PSI. ESN.032

**SEWER CONTRIBUTIONS**

AVERAGE FLOW: ..... 0.008 MGD  
 PEAK FLOW: ..... 0.027 MGD



APPROVED FOR CONSTRUCTION

*Nass Halla* 5/17/02

LAS VEGAS VALLEY WATER DISTRICT DATE:

**CONSTRUCTION NOTE**

ALL EXISTING UTILITY STRUCTURES WITHIN CONSTRUCTION AREA SHALL BE ADJUSTED TO MATCH FINISH GRADE (i.e. WY, SSMH, WMH, ANNODE BOX, FH, TEL. BOX, ETC.)

**BENCHMARK**

PROJECT VERTICAL DATUM: NAVD88  
 CITY OF LAS VEGAS B.M. 1LV00-4553  
 NAVD88 ELEV: 713.8497 METERS (2342.02 FEET)  
 RIVET AND PLATE IN TOP OF CURB, NORTHWEST RETURN OF ALEXANDER ROAD AND BUFFALO DRIVE CLARK COUNTY, NEVADA.

**BASIS OF BEARING**

NORTH 89°27'45" EAST BEING THE NORTH LINE OF THE NORTHEAST QUARTER (NE 1/4) OF THE SOUTHWEST QUARTER (SW 1/4) OF SECTION 1, TOWNSHIP 20 SOUTH, RANGE 50 EAST, M.D.M., CLARK COUNTY, NEVADA AS SHOWN IN FILE 88 OF SURVEYS, PAGE 8, OFFICIAL RECORDS, CLARK COUNTY, NEVADA.

PROJECT NAME: Concordia @ Lone Mountain West UNIT 4

This project water plan complies with the Las Vegas Valley Water District's technical requirements. However, this water plan is NOT APPROVED FOR CONSTRUCTION at this time and this signature does not provide or imply a water commitment.

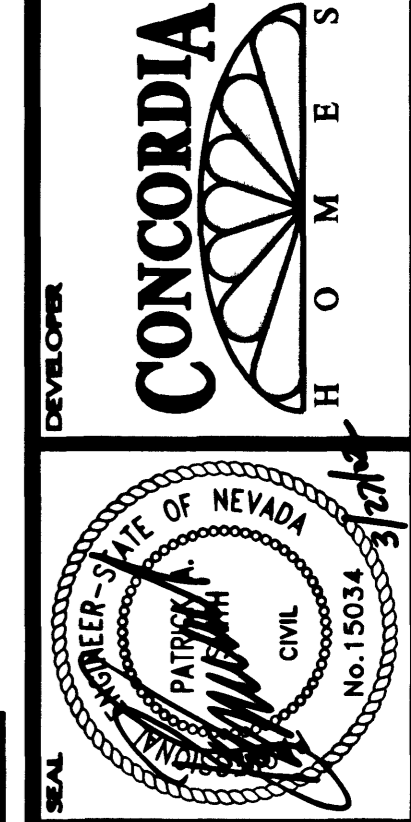
LVVWD #52 DATE: 5-22-02

MONUMENT @ LONE MOUNTAIN UNIT 5  
 CLV DWG # 107Y-4636-5

NO.	REVISION	DATE	BY	DATE	APPROVED
1					
2					
3					
4					
5					
6					
7					
8					
9					
10					
11					
12					
13					
14					
15					
16					
17					
18					
19					

CONCORDIA @ LONE MOUNTAIN WEST UNIT 4  
 CITY OF LAS VEGAS

MASTER UTILITY PLAN  
 TRAFFIC STRIPING AND  
 STREET LIGHTING PLAN



6280 S. Valley View Blvd  
 Suite 200  
 Las Vegas, NV 89118  
 Tel: (702) 368-3008  
 Fax: (702) 368-0047

**CVL CONSULTANTS, INC.**  
 ENGINEERING · PLANNING · LAND SURVEYING

SHEET  
**C4**  
 4 OF 14

AGENCY DWG. NO.  
 307Y-4656-4