

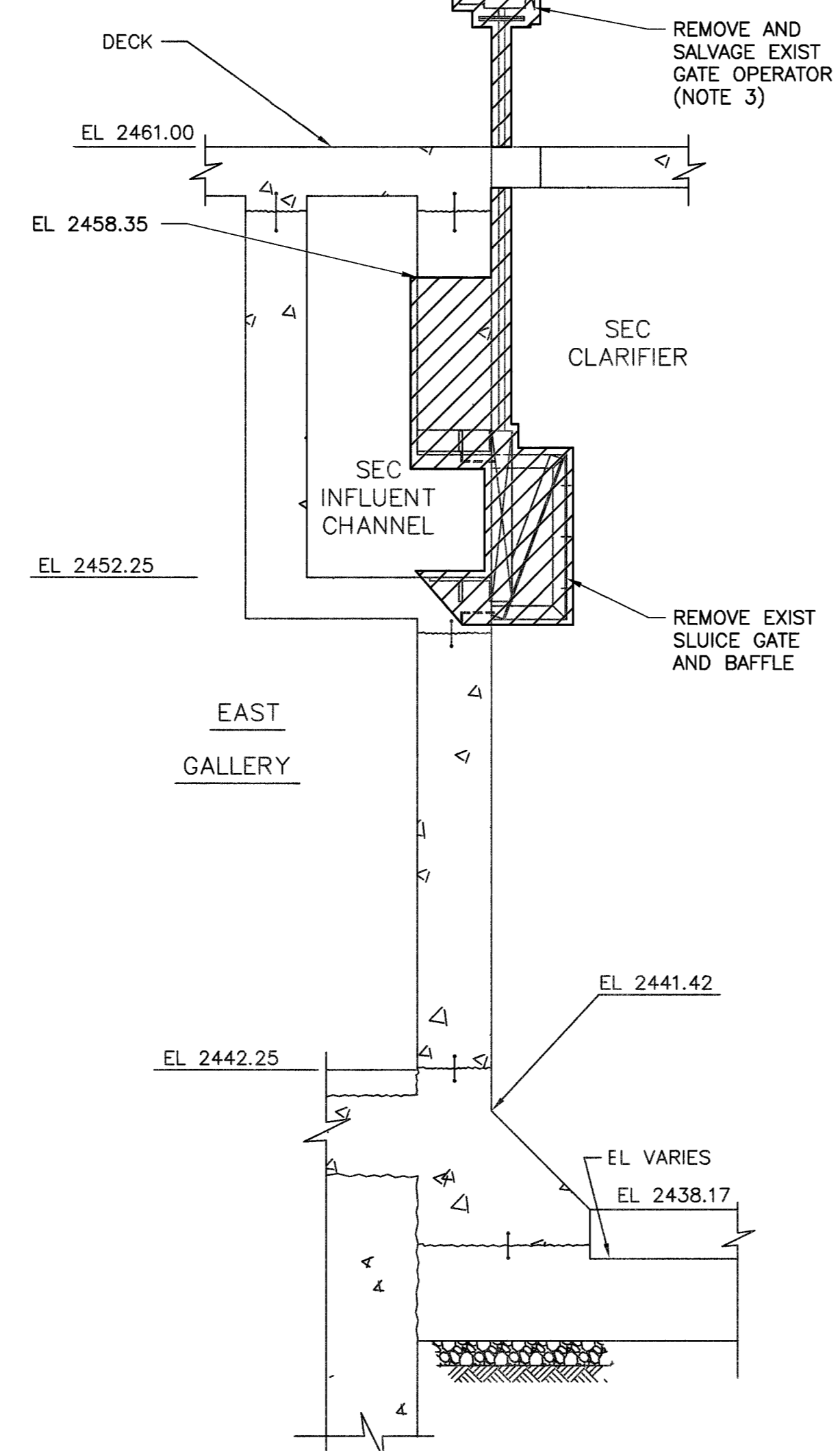
REMOVE EXIST SLUICE GATE (TYP-2 PER SECONDARY CLARIFIER)

TOP OF DECK
EL 2461.00

Q SYMM
SECONDARY CLARIFIERS
(No. 3 & 4 SIM)

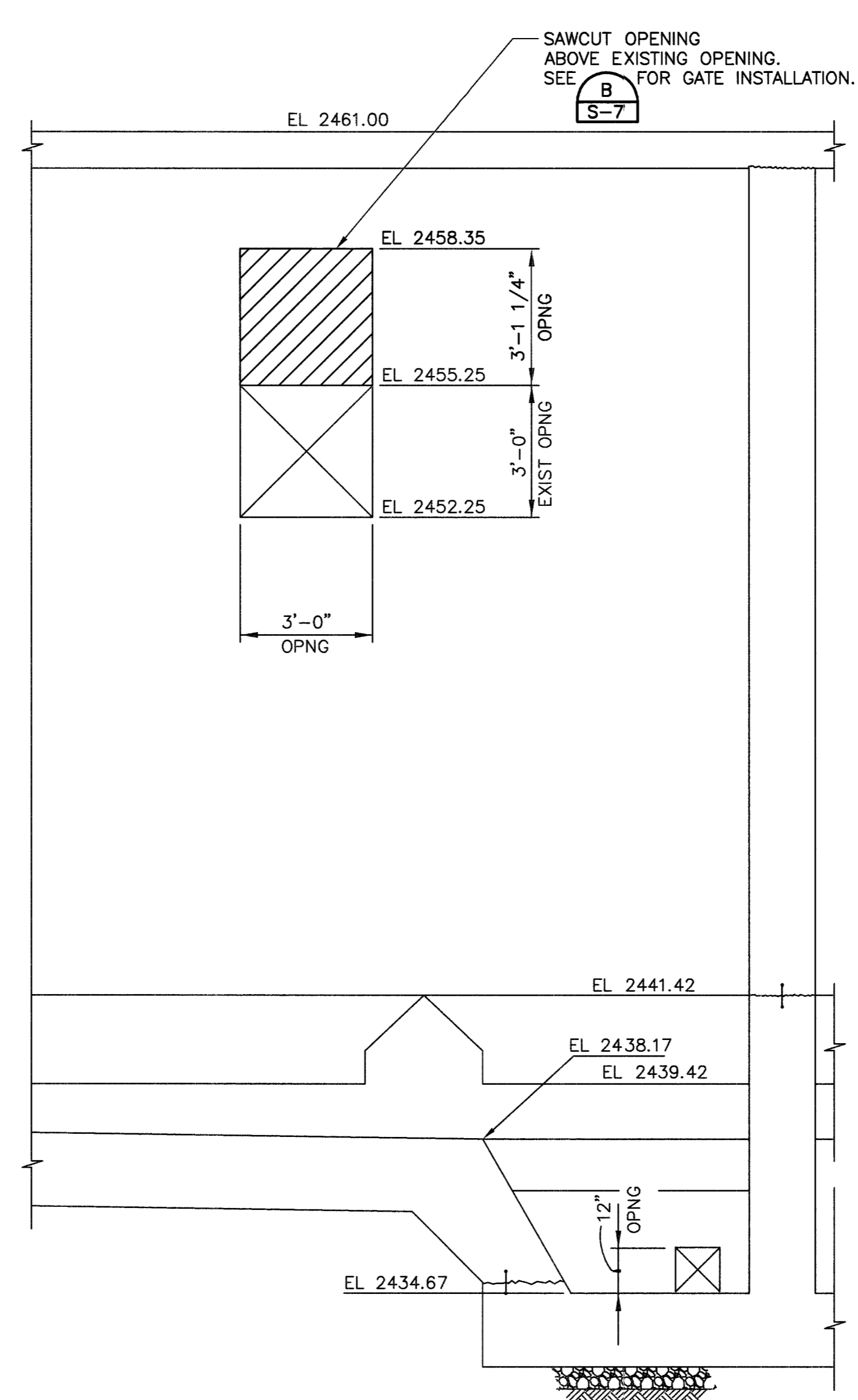
- NOTE:**
- CONTRACTOR ACCESS THROUGH ROOF ACCESS PANELS.
 - EXIST GATE TAG NUMBERS: MOG-N08CLA011
MOG-N08CLA012
MOG-N08CLA021
MOG-N08CLA022
MOG-N08CLA031
MOG-N08CLA032
MOG-N08CLA041
MOG-N08CLA042

PLAN
1/8" = 1'-0"



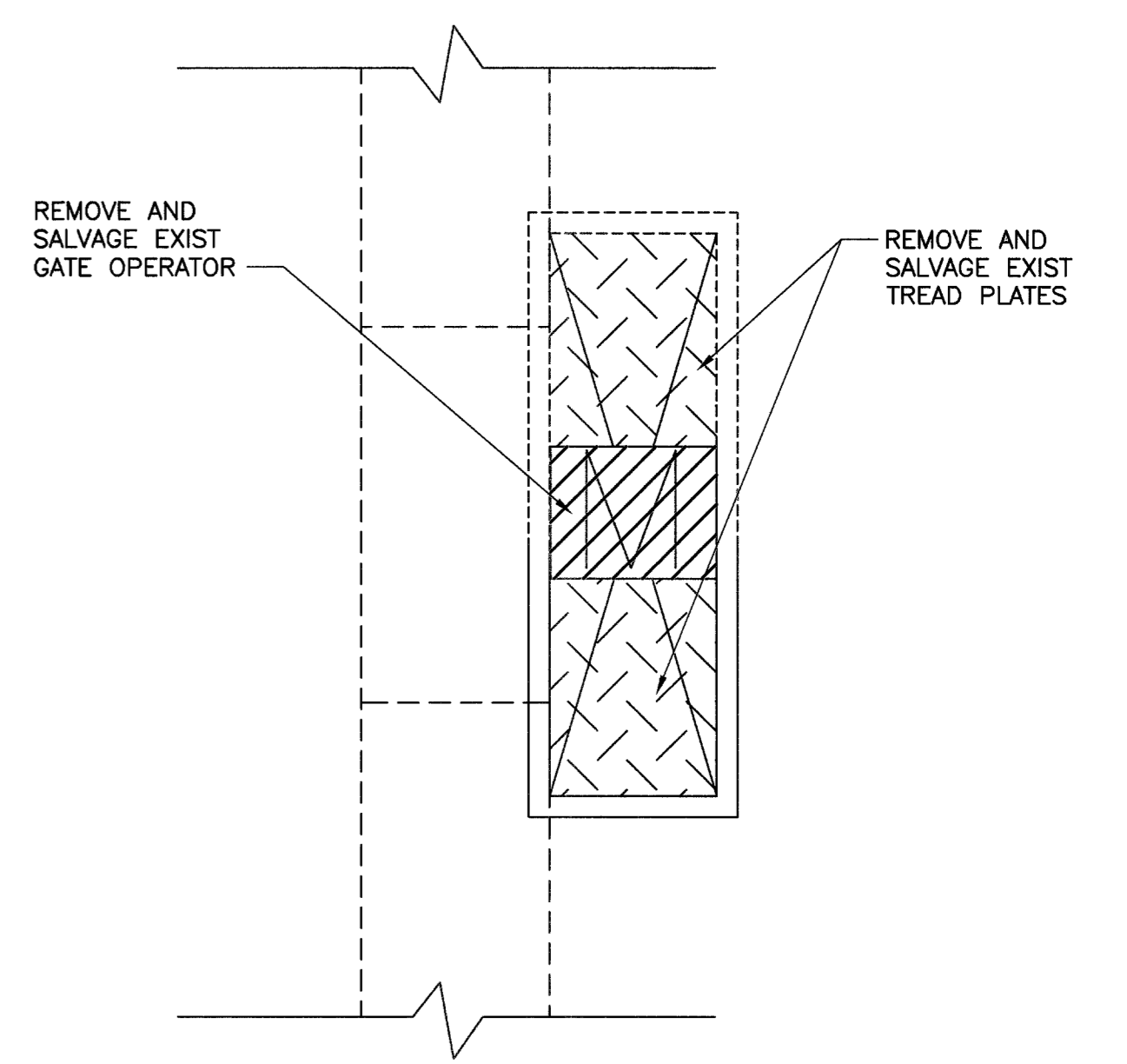
- NOTE:**
- TYPICAL OF 8 LOCATIONS.
 - CONTRACTOR TO CONTACT DHWRC STAFF TO SCHEDULE WORK AND SECONDARY CLARIFIER SHUTDOWN.
 - STORE THE OPERATORS AND ENSURE THAT ALL THE EXIST WIRING AND CONNECTIONS ARE PROTECTED FROM DAMAGE. PROVIDE ANY PROTECTION REQUIRED TO ENSURE THAT THE EXIST ELECTRICAL SYSTEM IS NOT DAMAGED.

SECTION
3/8" = 1'-0"

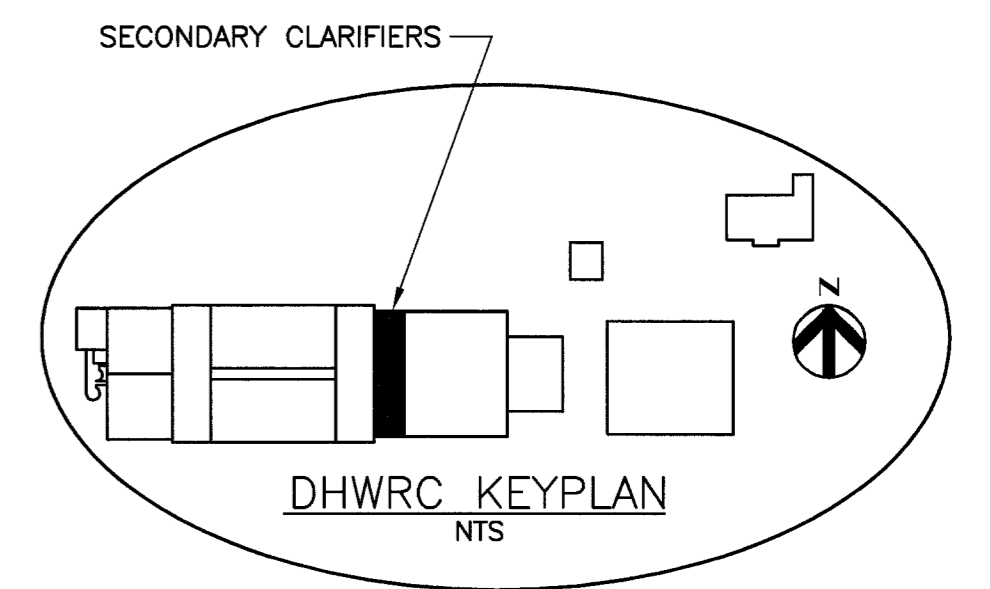


- NOTE:**
- EXISTING GATE, FRAME, AND OPERATOR NOT SHOWN FOR CLARITY.

SECTION
3/8" = 1'-0"

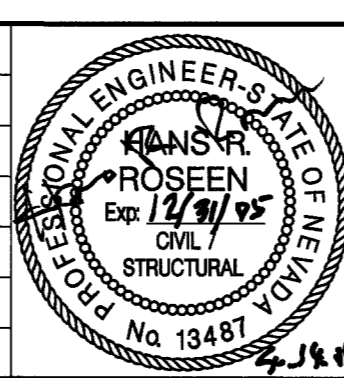


DETAIL
3/4" = 1'-0"

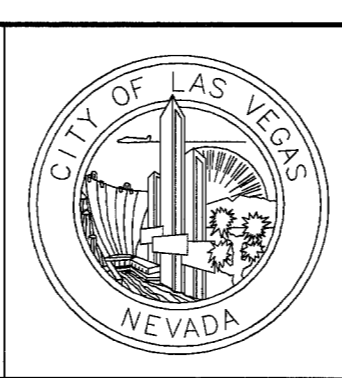


VERIFY SCALES
BAR IS ONE INCH ON ORIGINAL DRAWING
IF NOT ONE INCH ON THIS SHEET, ADJUST SCALES ACCORDINGLY

| REV NO. | REVISION DESCRIPTION | DATE | DRAWN | CHECKED |
|---------|----------------------|------|-------|---------|
| 79393 | | | | |



City of Las Vegas
DEPARTMENT OF PUBLIC WORKS



Environmental Division
LONE MOUNTAIN SEWER LIFT STATION MODIFICATIONS
DURANGO HILLS WATER RESOURCE CENTER MISC IMPROVEMENTS
SUPERSEDES DWG NO.

DHWRC SECONDARY CLARIFIERS
DEMOLITION
PLAN, SECTIONS & DETAILS

DESIGNED BY: J. SMASON
DRAWN BY: A. EVANS
CHECKED BY: H. ROSEEN

SCALE: AS NOTED
DRAWING NO. S-6
SHEET NO. 25 of 46

3071919