

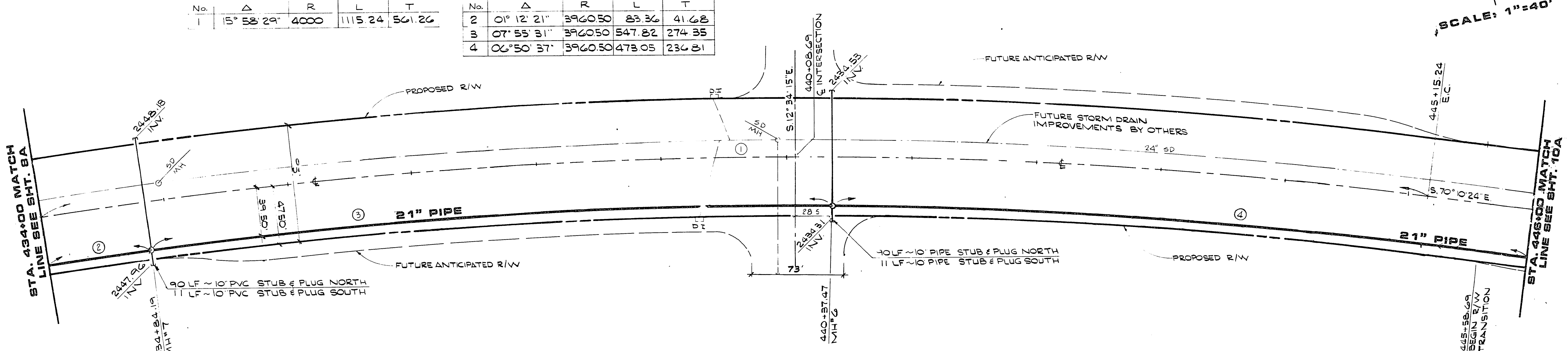
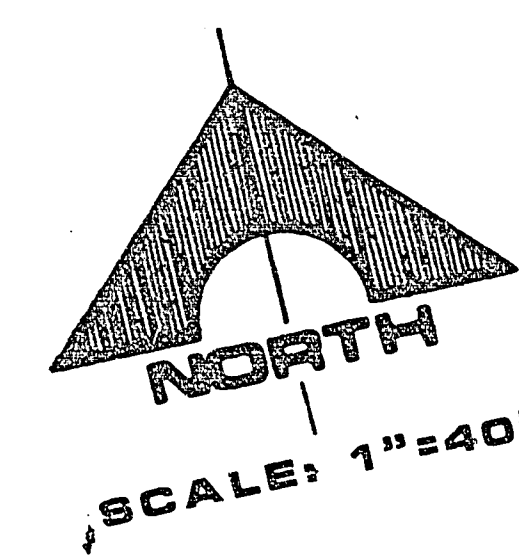
VILLAGE 4

ROAD CURVE DATA

No.	Δ	R	L	T
1	15° 58' 29"	4000	1115.24	561.26

PIPE CURVE DATA

No.	Δ	R	L	T
2	0° 12' 21"	3960.50	83.36	41.68
3	07° 55' 31"	3960.50	547.82	274.35
4	06° 50' 37"	3960.50	473.05	234.81

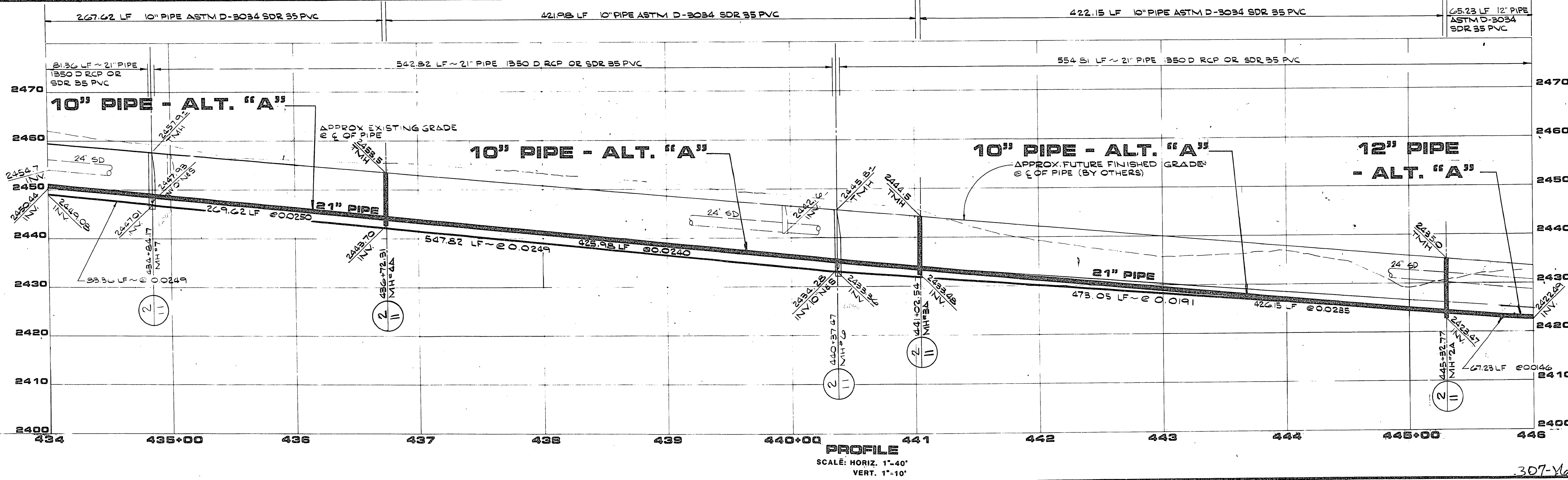


VILLAGE 2

LAKE MEAD BOULEVARD

**NOTE:**  
Existing contour elevations as shown in plan are represented correctly between Sta. 374+00 to Sta. 383+00. Existing contour elevations as shown in plan between Sta. 383+00 to Sta. 386+00 vary from as shown at Sta. 383+00 to 0.8' high at Sta. 386+00. Existing contour elevations as shown in plan between Sta. 386+00 to Sta. 453+53.69 are 0.8' high. The existing ground profiles between these Stations, as shown in profile, have been lowered 0.8' and correctly represent existing grade. (Example: An existing contour shown in plan as elevation 2490, is correctly represented in profile as elevation 2489.2). Existing contour elevations as shown in plan between Sta. 453+53.69 to Sta. 458+00 vary from 0.8' high at Sta. 453+53.69 to as shown at Sta. 458+00. Existing contour elevations as shown in plan are correctly represented between Sta. 458+00 to Sta. 493+66.01.

**NOTE:**  
HORIZONTAL ALIGNMENT OF ALTERNATE "A" PIPE, SAME AS 21" PIPE ALIGNMENT. ALTERNATE "A" M.H. NOT SHOWN IN PLAN, SEE PROFILE. STUBS AT MANHOLES ARE NOT TO BE INCLUDED IN ALTERNATE "A" BID.



DESCRIPTION  
DATE  
REV  
RECOMMENDED  
G.C. WALLACE, INC.  
Engineering/Architecture  
HOWARD HUGHES PROPERTIES  
LAKE MEAD BLVD. SEWER - BUFFALO TO EL CAPITAN  
PLAN & PROFILE  
STA. 434+00 TO STA. 446+00  
SHEET  
9A  
307-1032  
24-1-96

JOB NO. 620.252