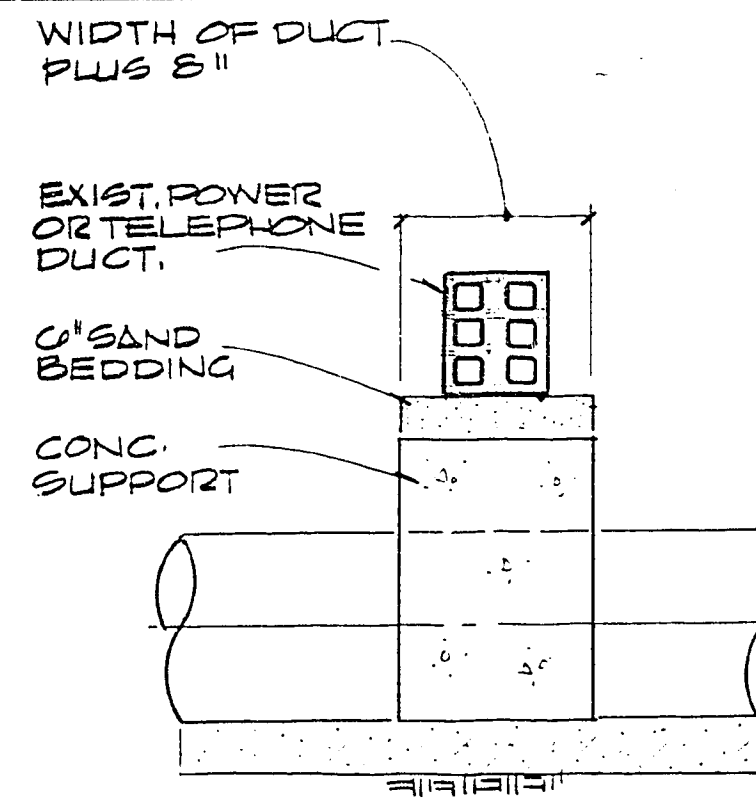


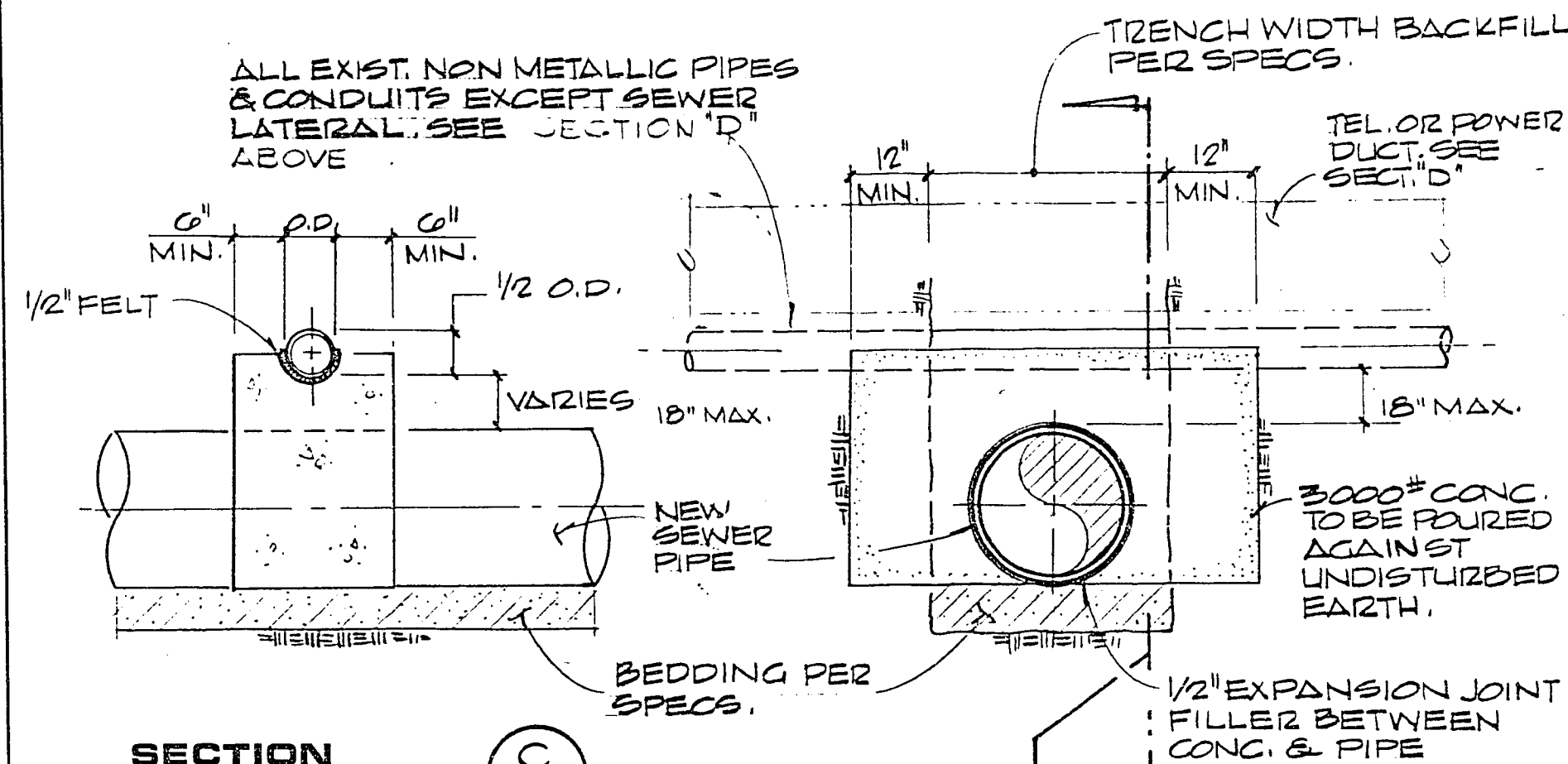
NOTE:
WRAP D.I.P. OR C.I.P. IN
E" MILS. POLYETHYLENE

**PROTECTION OF SEWER LATERAL
OVER NEW MAIN**

4
13



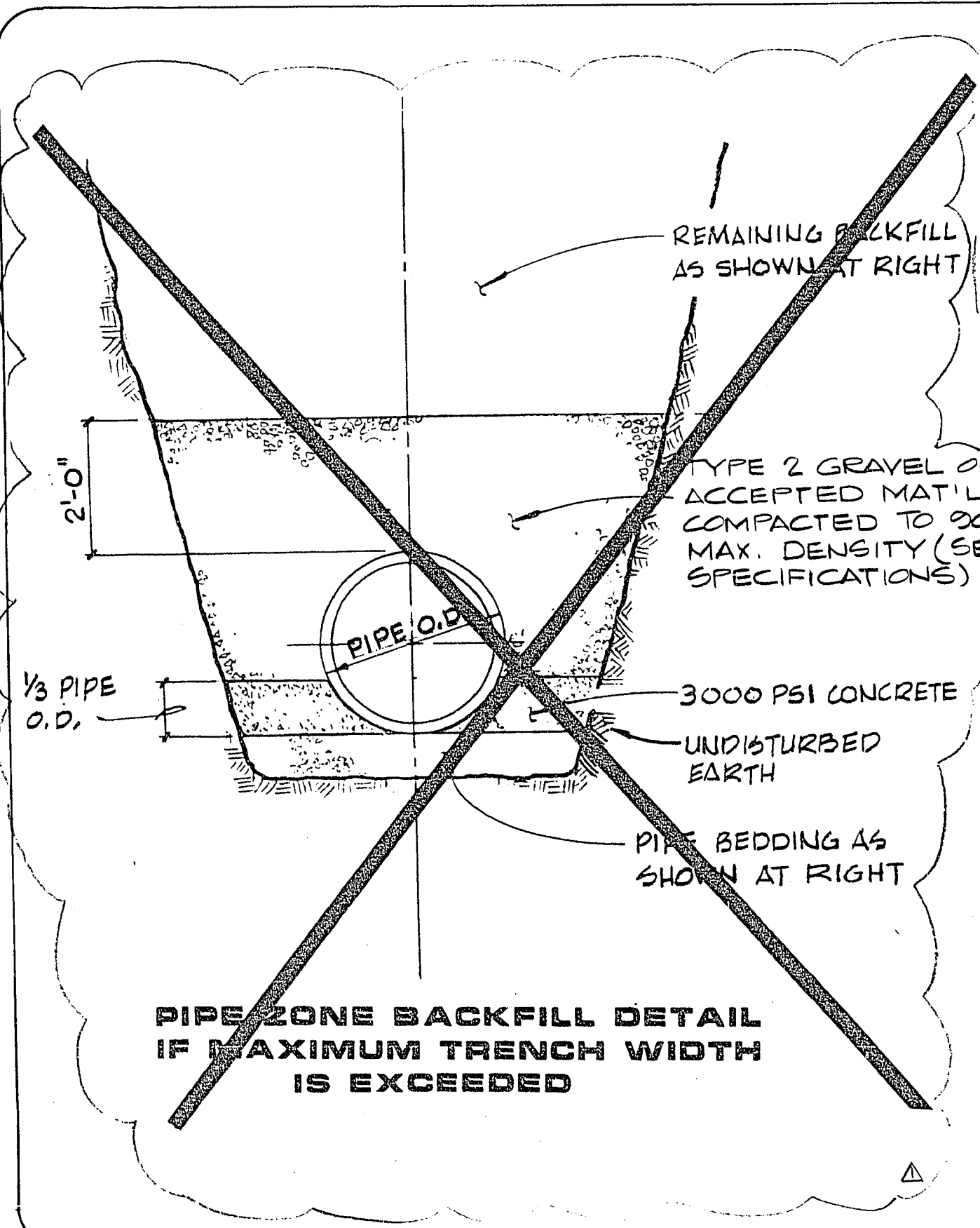
SECTION



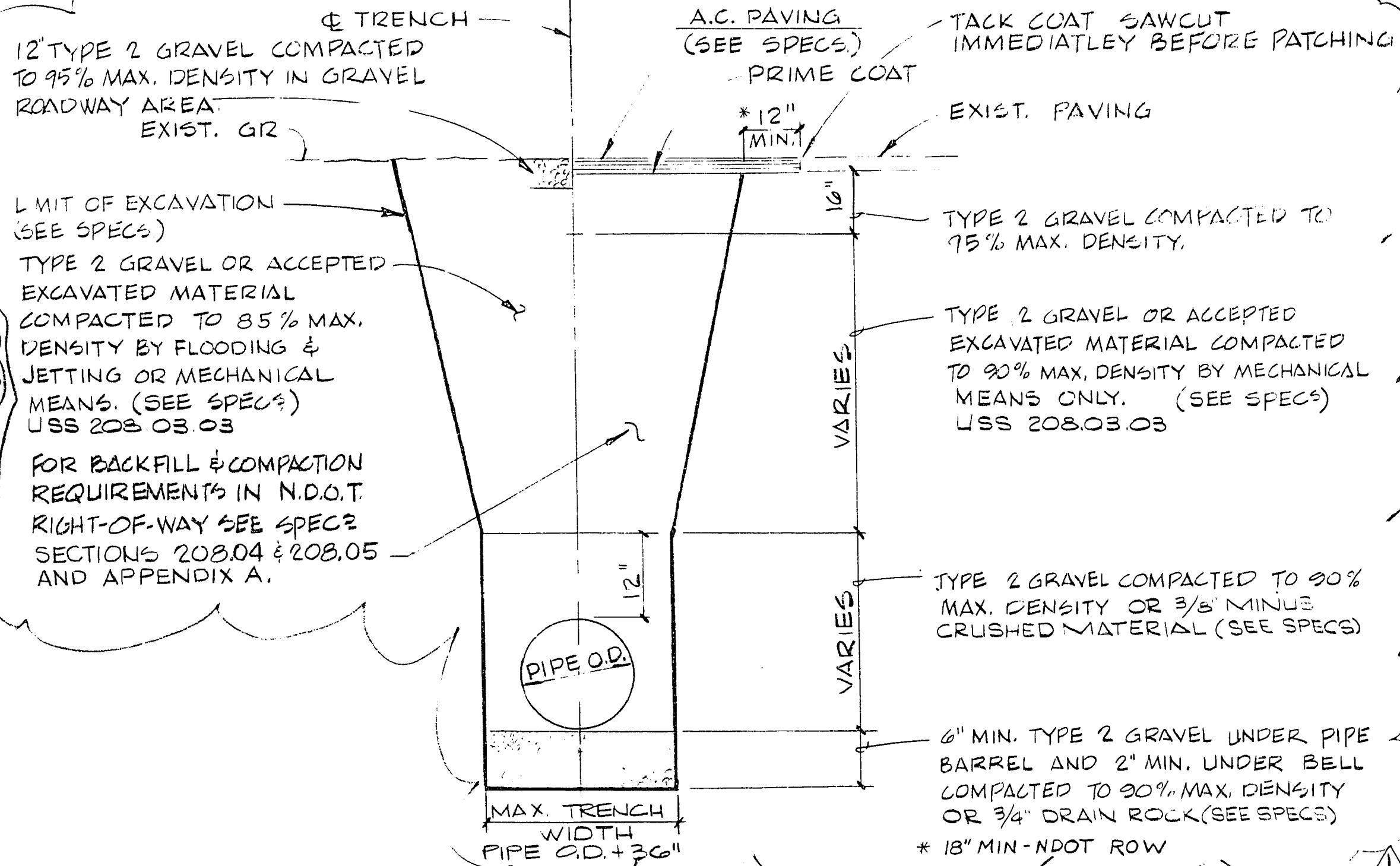
SECTION

**PROTECTION OF EXIST. PIPES &
CONDUITS OVER NEW MAIN**

3
13

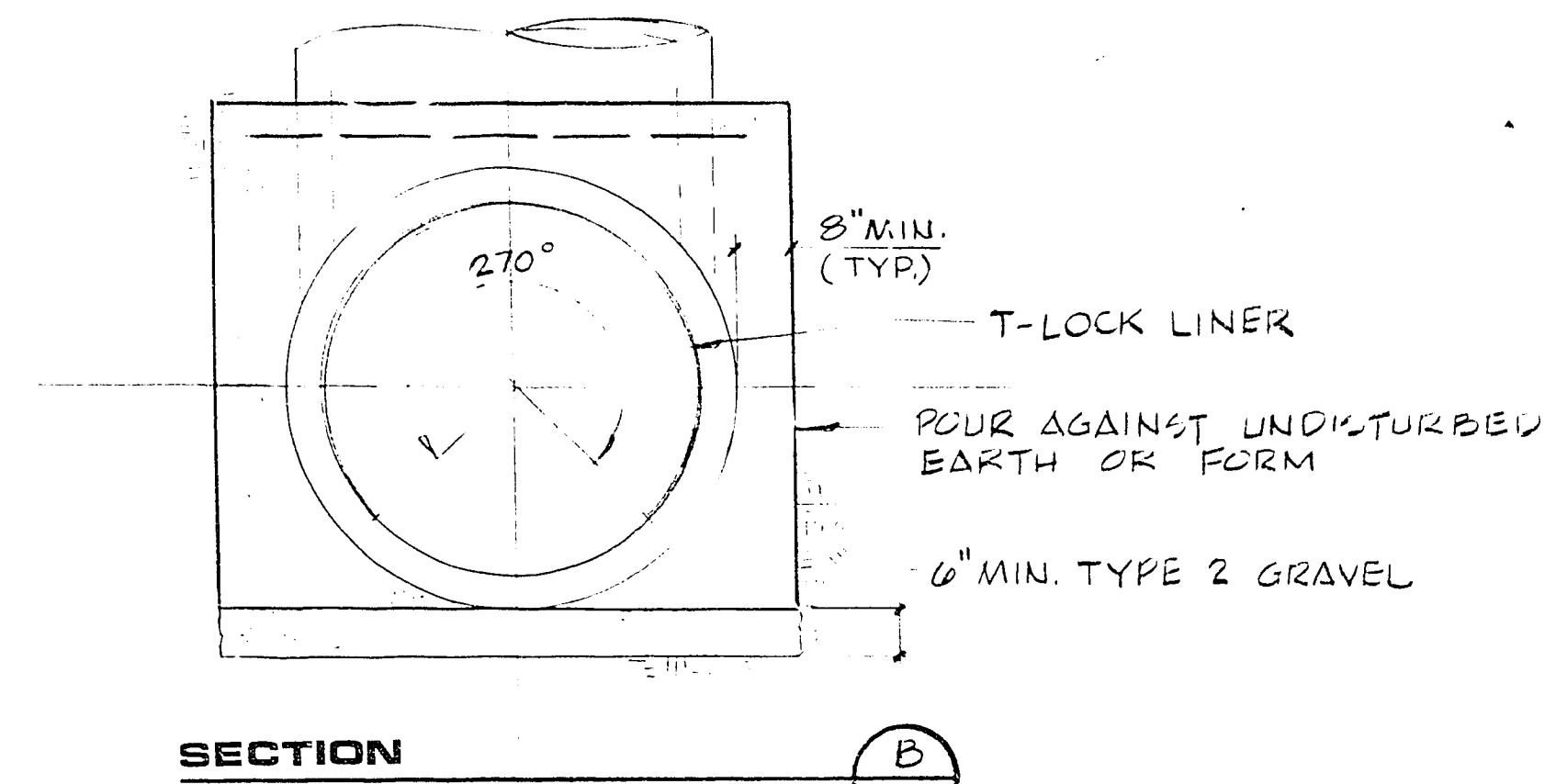


**PIPE ZONE BACKFILL DETAIL
IF MAXIMUM TRENCH WIDTH
IS EXCEEDED**

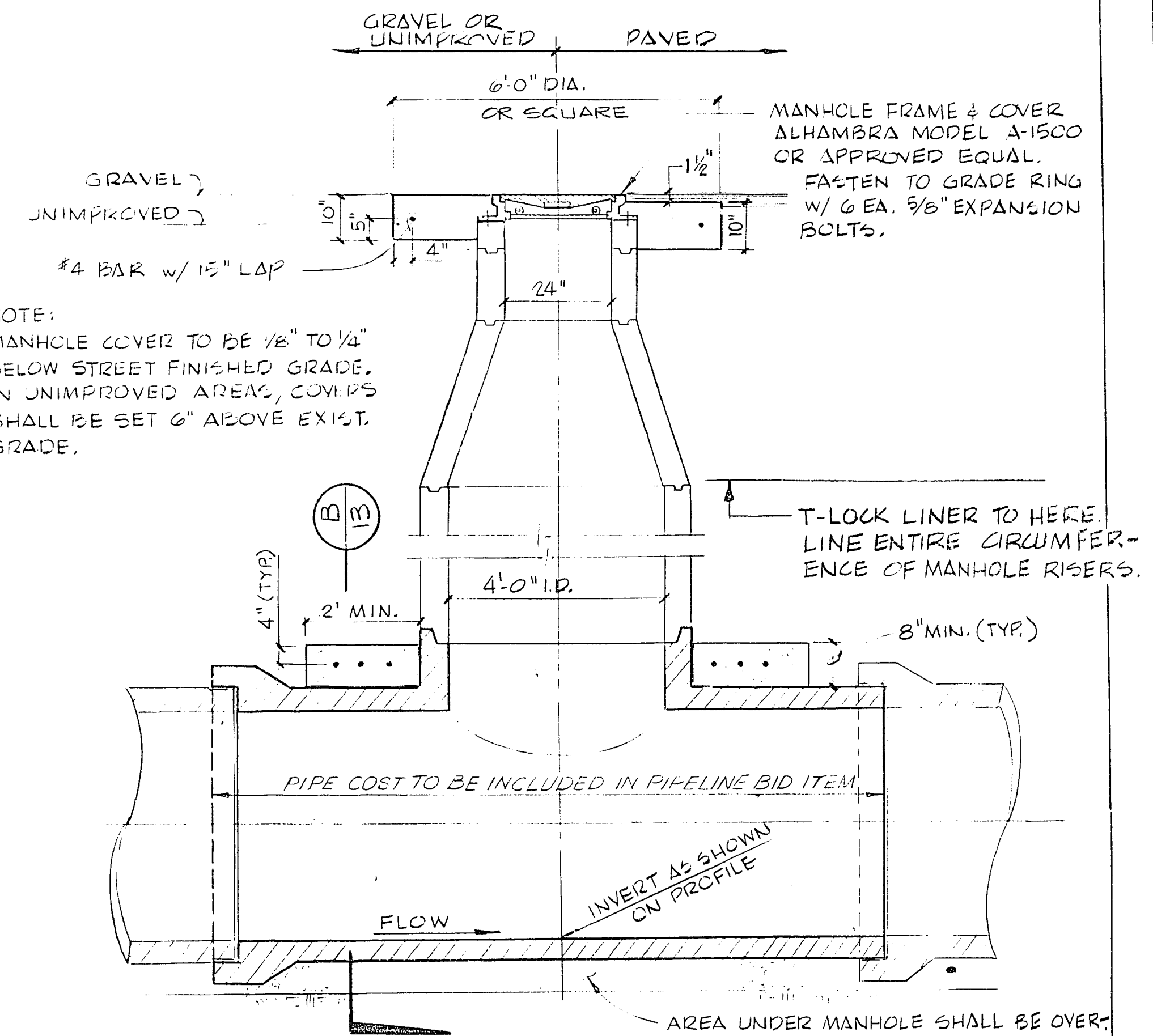


TYPICAL TRENCH SECTION

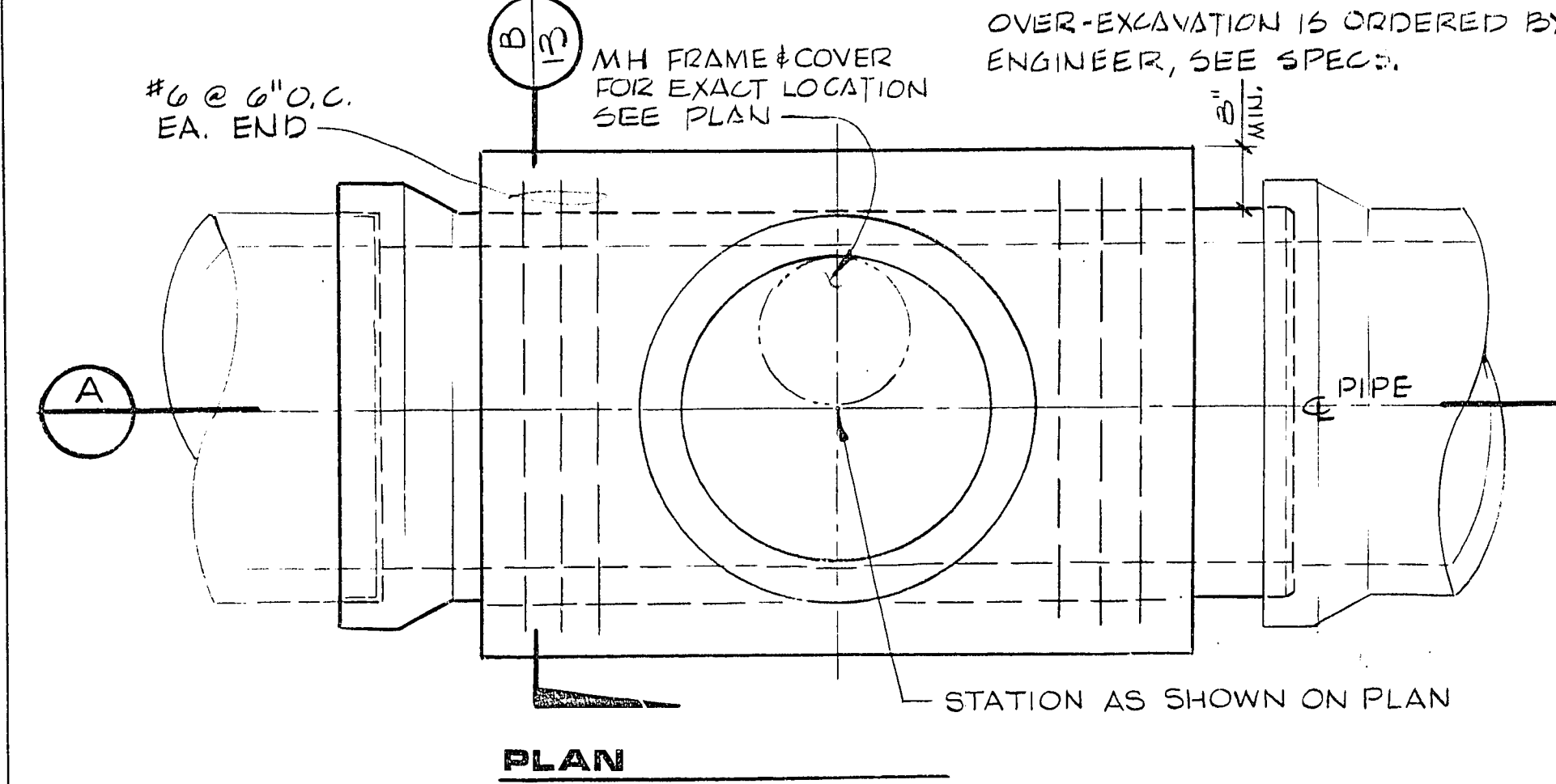
2
13



SECTION



SECTION



PLAN

MANHOLE DETAIL

1
13

RECOMMENDED
DATE 12/15/13
REV 12/15/13
DATE 12/15/13
REVISIONS
DESCRIPTION
RECORD DRAWING

DEPARTMENT OF ENGINEERING SERVICES
LAMB BLVD. RELIEF SEWER
TYPICAL DETAILS II

G. C. WALLACE
Consulting Engineers, Inc.
1100 East Sahara Ave. • Las Vegas, Nevada 89104 • 732-3330

SHEET
13
OF 13 SHEETS