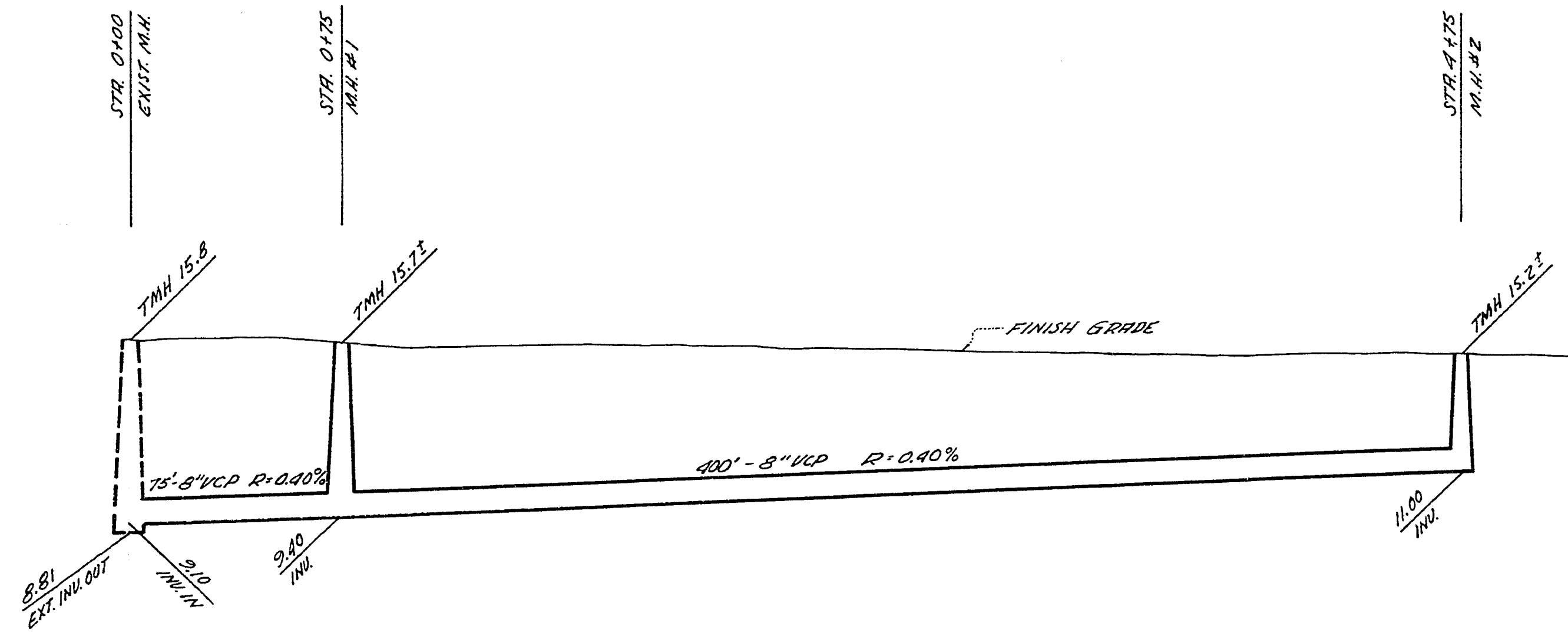


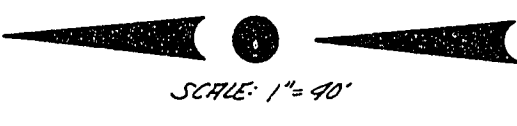
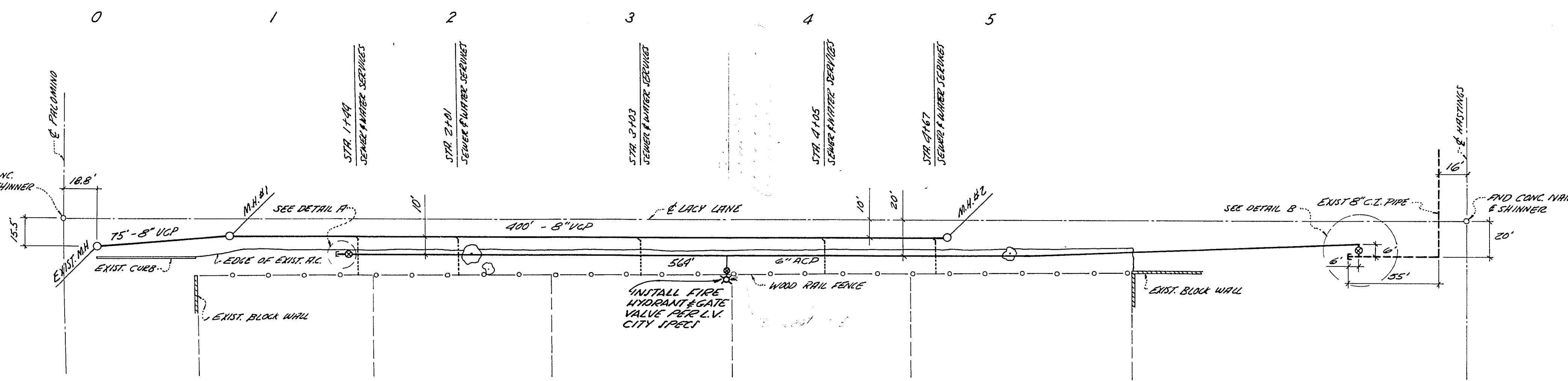
20

10

2100



PROFILE SCALE:
 HORIZ. 1"=40'
 VERT. 1"=4'



APPROVALS:

LAS VEGAS VALLEY WATER DISTRICT
 By: *[Signature]* Date: 2/23/67
 THIS SIGNATURE IS NOT AN OFFICIAL APPROVAL. IT INDICATES ONLY THAT THE TRACING WAS IN ACCORDANCE WITH THE APPROVED PRINT AT TIME OF SIGNATURE.

| | |
|---------------------------------|---------|
| LAS VEGAS VALLEY WATER DISTRICT | DATE |
| FIELD ENGINEER | DATE |
| <i>[Signature]</i> | 2-24-67 |
| SANITATION Supt. | DATE |
| <i>[Signature]</i> | 2/27/67 |
| LAS VEGAS CITY ENGINEER | DATE |
| <i>[Signature]</i> | 2-28-67 |
| FIRE CHIEF | DATE |

BENCH MARK:

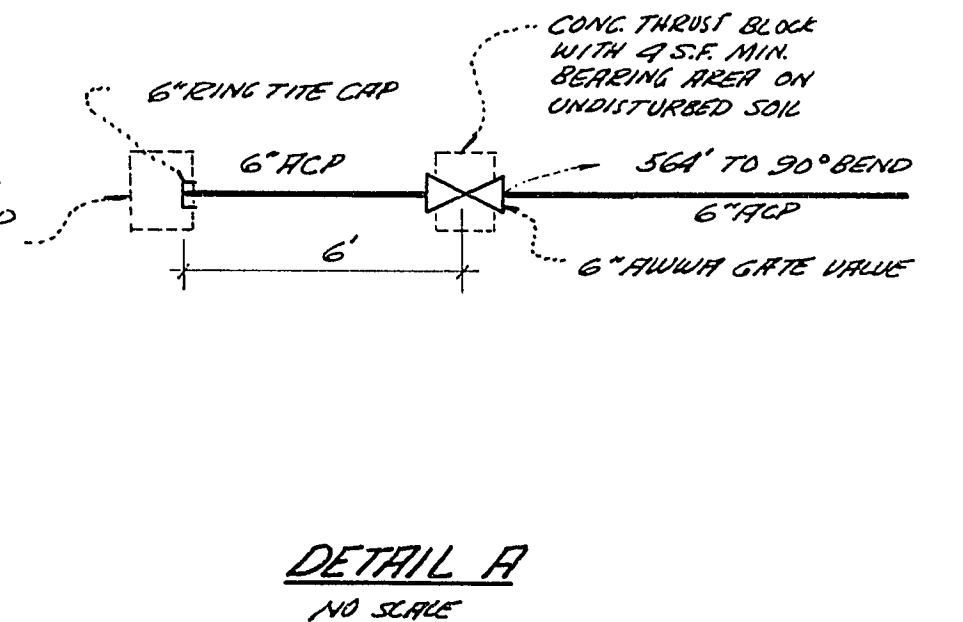
C.I.U. 776 O & CAMPBELL & PINTO - C.I.U. FIELD BOOK # 65-2X - ELEV. 2104.55

NOTES:

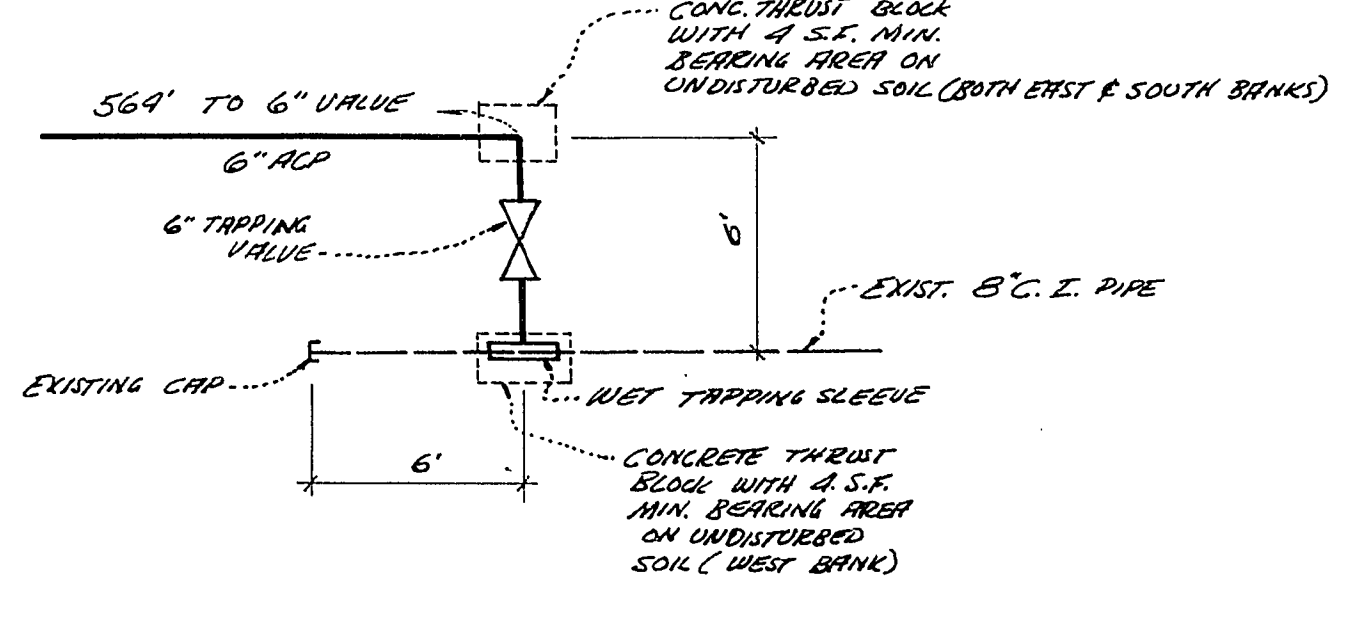
1. WATER AND SEWER LINE SEPARATIONS SHALL BE 10' (MINIMUM).
2. CUT SEWER SHALL COMPLY WITH THE WESTERN PLUMBING CODE AS TO DISTANCE SEPARATIONS.
3. WATER LINE SHALL BE TESTED & DISCONNECTED IN ACCORDANCE WITH LAS VEGAS VALLEY WATER DISTRICT STANDARDS.
4. PAVEMENT CUTTING AND RESTOREMENT SHALL BE IN ACCORDANCE WITH CITY OF LAS VEGAS STANDARDS.

| ESTIMATED QUANTITIES | |
|------------------------------|----------------|
| DESCRIPTION | AMOUNT |
| STANDARD MANHOLES | 2 EACH |
| 8" VCP (MAIN) | 475 LIM. FT. |
| 4" VCP (SEWER) | 105 LIM. FT. |
| 6" TRAPPING SLEEVE & VALVE | 1 EACH |
| 6" x 6" 90° BEND | 1 EACH |
| 6" FLOW GATE VALVE | 2 EACH |
| 6" CRP | 1 EACH |
| 6" RCP (MAIN) | 576 LIM. FT. |
| 1" COPPER (SEWER) | 65 LIM. FT. |
| CONCRETE FOR THRUST BLOCKS | 1 1/2 CU. YDS. |
| SAW CUT EXIST. R.C. PAVEMENT | 1830 LIN. FT. |
| NEW R.C. PAVEMENT * | 615 S.Y. |
| ETRE HYDROBENT | 1 EACH |

* Owner to place temporary patch and leave it for minimum of 30 days; then proceed according to either I or II.
 I. Saw cut 6" deep each side of excavation (approx. 36" total width). Remove temp. patch. Apply 2" Permanent A.C. to edge of saw cut. (Approx. 205 sq. Yds. 2" A.C. req'd.)
 II. Saw cut each side of excavation where water and sewer lines extend into road area (33" width). Apply 4.5" A.C. paving with laydown machine. (Approx. 281 sq. Yds. 2" A.C. req'd.)



DETAIL A
NO SCALE



DETAIL B
NO SCALE

VOORHEIS-TRINDLE CO. - NEV.
 953 EAST SPARRER AVE. LAS VEGAS, NEVADA

**LACY LANE
 SEWER PLAN & PROFILE
 WATER PLAN
 FOR
 JACK WOLLENZIEN**

LAS VEGAS NEVADA

SUBMITTED BY:
[Signature] 10/19/66 DATE
 VICTOR G. ARNETT/ENGINEER
 NEV. P.E. # 1511

307-V386