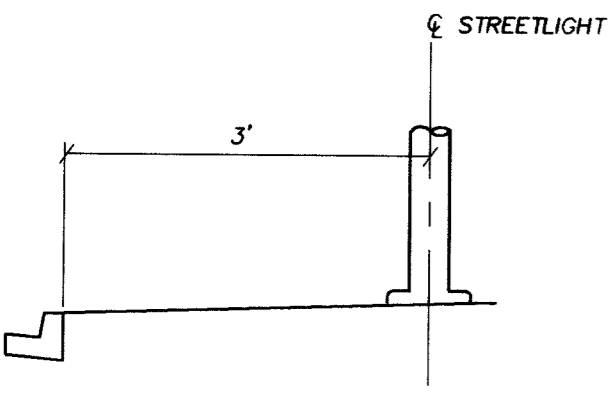


TYPICAL OFF-SITE STREETLIGHT
NOT TO SCALE



TYPICAL ON-SITE STREET LIGHT LOCATION
NOT TO SCALE

LEGEND

- PROPOSED 250W HPS STREETLIGHT
- PROPOSED 100W HPS STREETLIGHT
- EXISTING STREETLIGHT
- PROPOSED STREETLIGHT SERVICE POINT
- PROPOSED 3 1/2 PULLBOX
- PROPOSED STREETLIGHT CONDUIT
- STOP SIGN
- STREET NAME SIGN
- SIGHT VISIBILITY RESTRICTION ZONES PER STD. DWG. 201.1 (NOTHING OVER 24" IN HEIGHT ALLOWED IN SVZ EXCEPT TRAFFIC CONTROL DEVICES)

SIGN LEGEND

- R8-3P 18 X 18
- W1-8 18 X 24
- R1-1 30 X 30
- WB-2 30 X 30

BASIS OF BEARINGS

SOUTH 00°04'13" WEST BEING THE BEARING OF THE EAST LINE OF THE NORTHEAST QUARTER (NE 1/4) OF THE NORTHWEST QUARTER (NW 1/4) OF SECTION 2, TOWNSHIP 20 SOUTH, RANGE 60 EAST, M.D.M., CITY OF LAS VEGAS, CLARK COUNTY, NEVADA AS SHOWN ON THE MAP ON FILE IN THE CLARK COUNTY RECORDER'S OFFICE, CLARK COUNTY, NEVADA IN FILE 99 OF PARCEL MAPS, AT PAGE 42.

BENCHMARK

CLV #0C00 2NNW6
RIVET AND PLATE IN TOP OF CURB @ SE CORNER OF LONE MOUNTAIN AND RANCHO.
ELEVATION (NAVD 88): 706.7908 METERS
2318.86 FEET

Avoid cutting underground utility lines. It's costly.
Call before you Dig
1-800-227-2600
UNDERGROUND SERVICE (USA)

Avoid overhead power line contact.
Call before you Overhead
1-702-593-6111
NEVADA POWER ENVIRONMENT SAFETY SERVICE DEPARTMENT

CALL BEFORE YOU DIG
UNDERGROUND SERVICE (USA)
1-800-227-2600

PROJECT NO.	00104015
SCALE	1"=40'
DESIGNED BY	
CHECKED BY	
DATE	
BY	
REVISION	

THOMASON CONSULTING ENGINEERS
3161 E. WARM SPRINGS ROAD, SUITE 200
LAS VEGAS, NEVADA 89120
702-932-6125 FAX: 702-932-6129

RICHMOND AMERICAN HOMES
LONE MOUNTAIN / TORREY PINES
STREET LIGHT, SIGNAGE AND STRIPING PLAN

Professional Engineer Seal for Joseph D. Thomason, License No. 11907, State of Nevada, Civil.
SHEET **S2** OF 21
DRAWING NO. 1074854