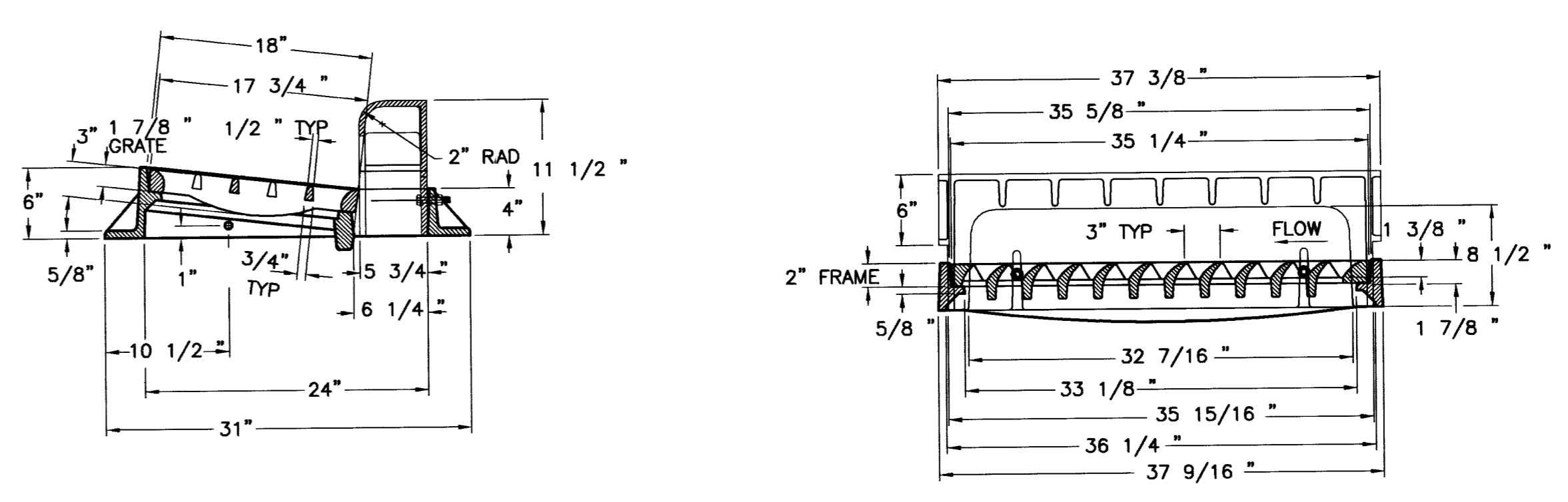
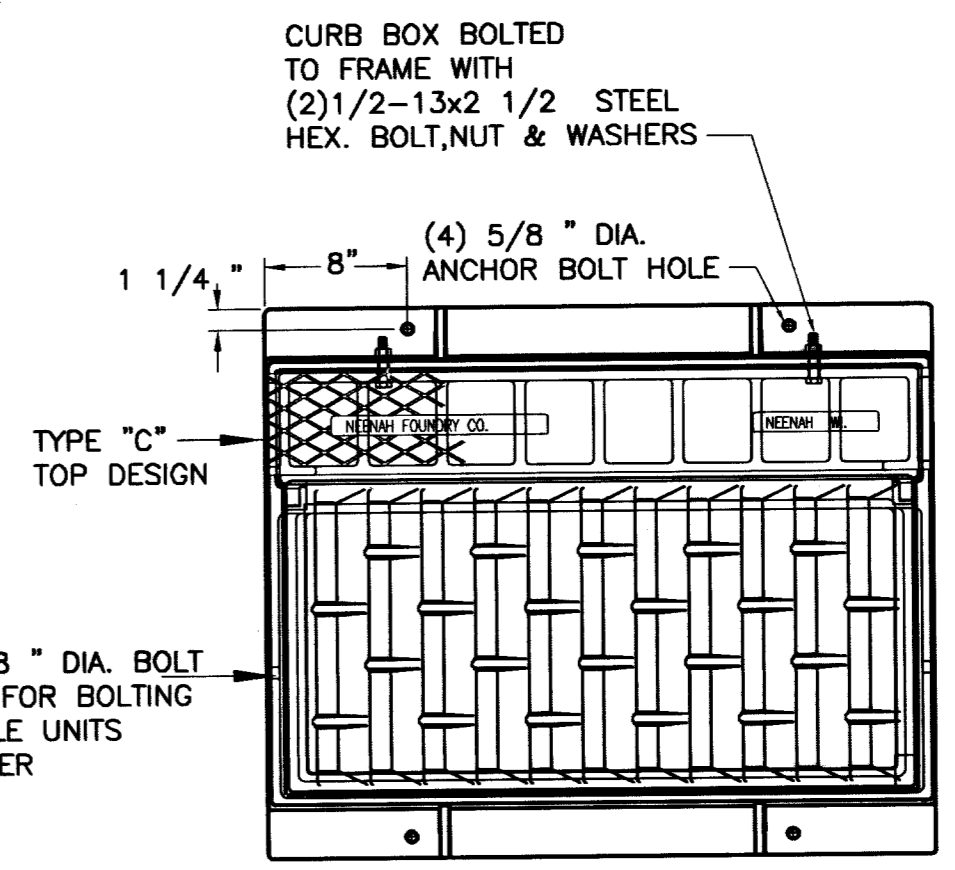


**DROP INLET FRAME AND GRATE**  
NEENAH R-3295\* SINGLE CURB INLET FRAME OR APPROVED EQUAL, TYPE "L" GRATE & CURB BOX OR APPROVED EQUAL. (\* MEETS AASHTO N306, 40,000 LB. PROOF LOAD SPEC.)  
COMPONENT NO'S: FRAME 3295-2000  
GRATE 3067-3000  
CURB BOX 3295-7002  
MATERIAL: CAST GRAY IRON  
ASTM A-48, CLASS 35B  
NOT PAINTED  
FINISH: FRAME APPROX. 205#  
GRATE APPROX. 138#  
CURB BOX 123#  
WEIGHTS:

**INLET FRAME AND GRATE DETAIL**  
NTS



- NOTES:**
1. INLET STATION IS LOCATED AT CENTER OF DROP INLET.
  2. OFFSET FROM ROAD CL. MEASURED TO BACK OF CURB POINT AS SHOWN IN SECTION "A-A".
  3. DEPTH "D" AND SIZE OF OUTLET PIPE AS SHOWN IN LATERAL DETAIL SHEETS.
  4. CONCRETE SHALL BE CLASS "D" OR "DA".
  5. OUTLET PIPE SHALL BE TRIMMED FLUSH WITH INSIDE FACE OF INLET.
  6. LENGTH "L" IS A NOMINAL DIMENSION AND IS SHOWN IN MULTIPLES OF 3 FEET.  
SEE DETAILS ON THE GRADING PLAN FOR EXACT DIMENSIONS OF GRATES AND FRAMES.



DESIGNED BY:	SCALE: 1" = 4'
CHECKED BY:	1" = 4'
PROJECT NO. 001-04015	REVISION
DATE	BY

**THOMASON CONSULTING ENGINEERS**  
3161 E. WARM SPRINGS ROAD, SUITE 200  
LAS VEGAS, NEVADA 89170  
702-932-6125 FAX: 702-932-6129

**RICHMOND AMERICAN HOMES**  
**LONE MOUNTAIN / TORREY PINES**  
**DETAILS AND SECTION**

**STATE OF NEVADA**  
SEPH D. THOMASON  
6-30-06  
CIVIL  
NO. 11907  
11/2/06

SHEET **D2** OF 21  
DRAWING NO. 10744854

77016